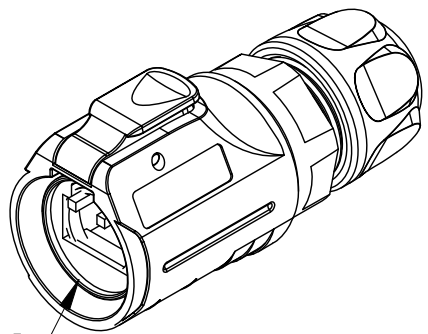
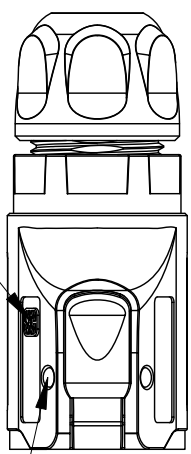


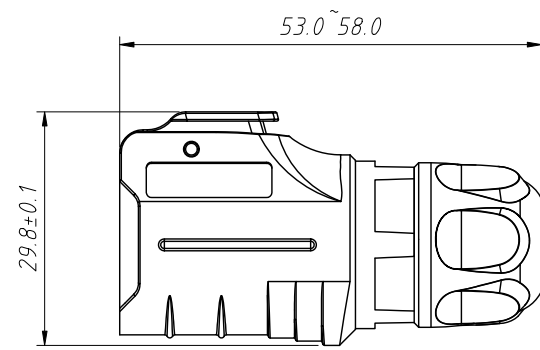
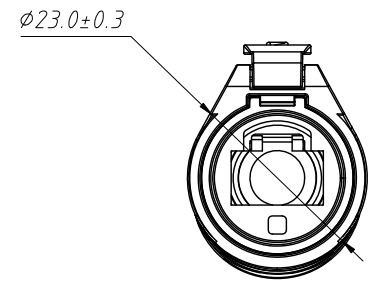
1
RoHS Compliance

6	7	8
REV	SYM	Revision Record
V0	KLS15032	New Version Release
		Appr.
		WuHao
		Date
		2024-11-18



Material:
 Body: High performance engineering plastics UL 94-V0
 Contact: Phosphor bronze, gold plated
 Sealing: Silica gel
 Housing: PBT
 Nut: PBT

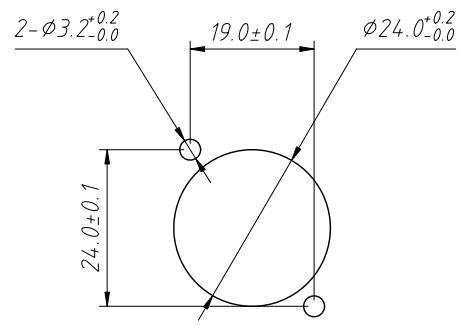
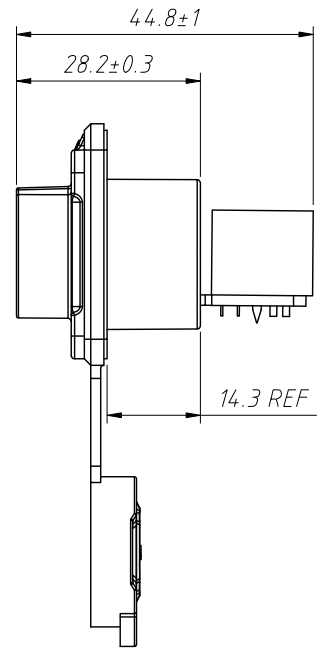
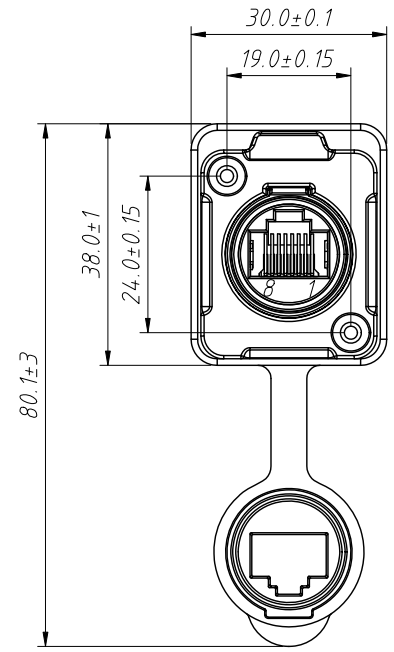
Electrical Characteristics:
 Rated current: 1.5A
 Rated voltage: AC 125V
 Dielectric withstanding voltage: AC 1000V
 Insulation Resistance: 500M Ω Min
 Wire Gauge: OD5.0~OD7.0
 Protection Class: IP67
 Operating Cycles: 500 times Min
 Tightening torque: 1.3N.m
 Operating temperature: -25 $^{\circ}$ C ~ +85 $^{\circ}$ C



ANGLE TOLERANCE	PROJECTION	Description:
$\pm 3^{\circ}$		M16 Push pull Waterproof RJ45 connectors, IP67
GENERAL TOLERANCE	UNITS	mm
x.x ± 0.30	SHEET SIZE	A4
x.xx ± 0.20	Draw:	WuHao 2024-11-18
x.xxx ± 0.10	Check:	Daniel 2024-11-18
		L-KLS15-WEC45-01-P1
		NingBo KLS ELECTRONIC CO.,LTD.

1
RoHS Compliance

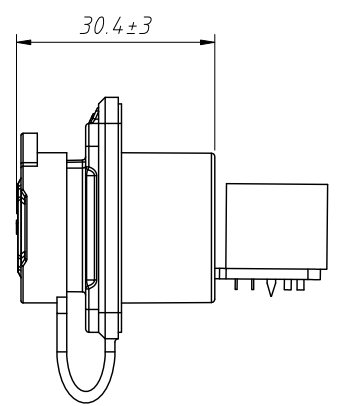
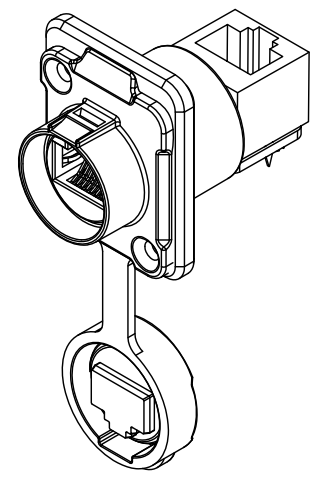
7		8	
REV	SYM	Revision Record	Appr.
V0	KLS15032	New Version Release	WuHao
			Date
			2024-11-18



Mounting Hole Size
Mounting Screw Size:M3

Material:
Body:High performance engineering plastics UL94-V0
Contact:Phosphor bronze,gold plated
Sealing:Silica gel
Housing:PBT
Nut:PBT

Electrical Characteristics:
Rated current:1.5A
Rated voltage:AC 125V
Dielectric withstanding voltage:AC 1000V
Contact resistance:30mΩ Max
Insulation Resistance:500MΩ Min
Protection class:IP67/IP68
Operating Cycles:500 times Min
Tightening torque:0.4N.m
Operating temperature:
-25°C ~ +85°C (Standard Plasticshell)
-40°C ~ +85°C (Customized Plasticshell)
Transmissionrate:CAT.3



ANGLE TOLERANCE	PROJECTION	Description:	
±3°		M16 Push pull Waterproof RJ45 connectors,IP67	
GENERAL TOLERANCE	UNITS	mm	KLS P/N:
x.x ±0.30	SHEET SIZE	A4	L-KLS15-WEC45-01-S2
x.xx ±0.20	Draw:	WuHao	2024-11-18
x.xxx ±0.10	Check:	Daniel	2024-11-18

