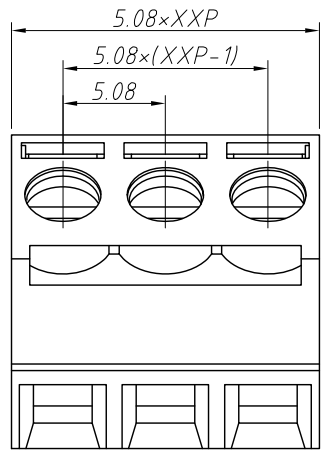
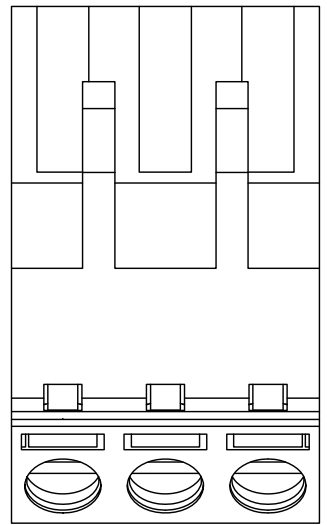
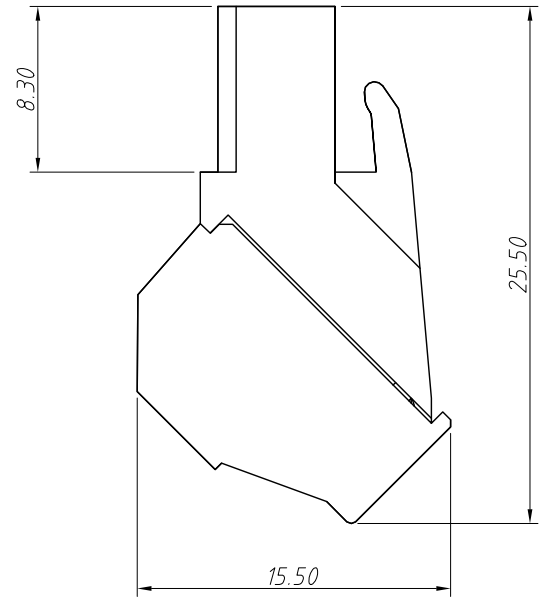


1
RoHS Compliance

6		7		8	
REV	SYM	Revision Record		Appr.	Date
V0	KLS02006	New Version Release		WuHao	2024-11-06

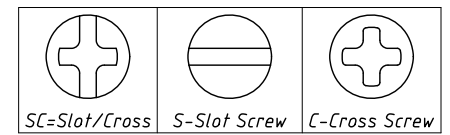
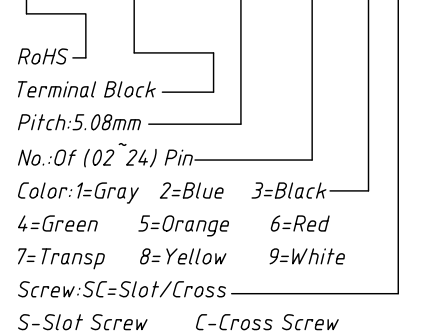


Electrical Characteristics	UL	IEC
Rated Voltage	300V	250V
Rated Current	15A	12A
Withstand Voltage	1600V/1 min	4.0KV
Wire Range	28~12 AWG	0.2~1.5mm ²

Material and other:
 Housing:PA66, UL94V-0
 Pin Header:Coppo Alloy,Ni Plated
 Screw/Torque:M3/0.5N.m
 Stripping Length:7~8mm
 Operating Temperature:-40°C~+105°C

Order Information

L-KLS2-ELK-5.08-XXP-X X



ANGLE TOLERANCE	PROJECTION	Description:			
±3°		Pitch 5.08mm Terminal Block			
GENERAL TOLERANCE	UNITS	mm	KLS P/N:	L-KLS2-ELK-5.08-XXP-XX	
0~30 ±0.50	SHEET SIZE	A4			
30~60 ±0.75	Draw:	WuHao	2024-11-06	NingBo KLS ELECTRONIC CO.,L TD.	
60~90 ±1.00	Check:	Daniel	2024-11-06		