

TERMINAL BLOCK Connector



Pluggable Series

KLS2-EDKDM-5.00/5.08 Series Pitch=5.00mm/5.08mm

Electrical :

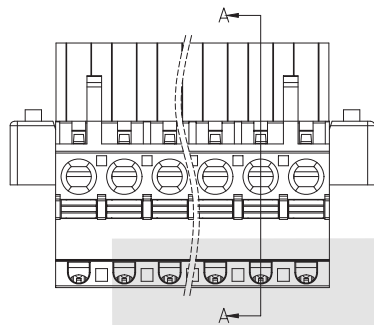
- Rated voltage: 300V
- Rated current: 15A
- Contact resistance: 20mΩ
- Insulation resistance: 5000MΩ/1000V
- Withstanding Voltage: AC1500V/1Min

Material

- Housing: Pa66, UL94V-0
- Screws: M2.5, steel, Zinc plated
- Contact : Phosphor Bronze

Mechanical

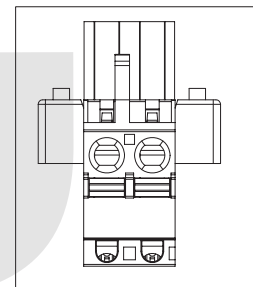
- Temp. Range: -40°C~+105°C
- MAX Soldering: +250°C for 5 Sec
- Wire range: 28-12AWG 2.5mm²
- Torque: 0.4Nm (3.6Lb. in)
- Strip length: 7-8 mm



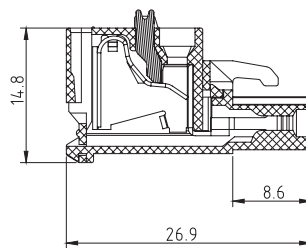
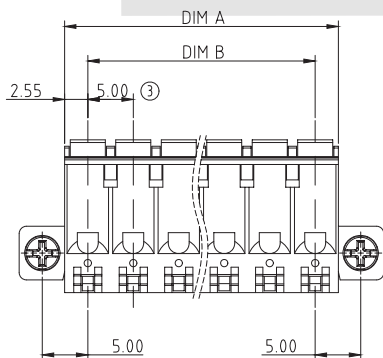
Dimension

DIM A	$N \times 5.0 + 0.10$
DIM B	$(N-1) \times 5.0$

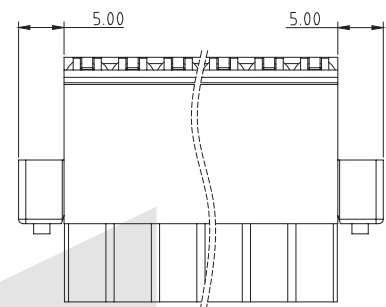
N=Number of poles



2P



SECTION A-A



ORDER INFORMATION

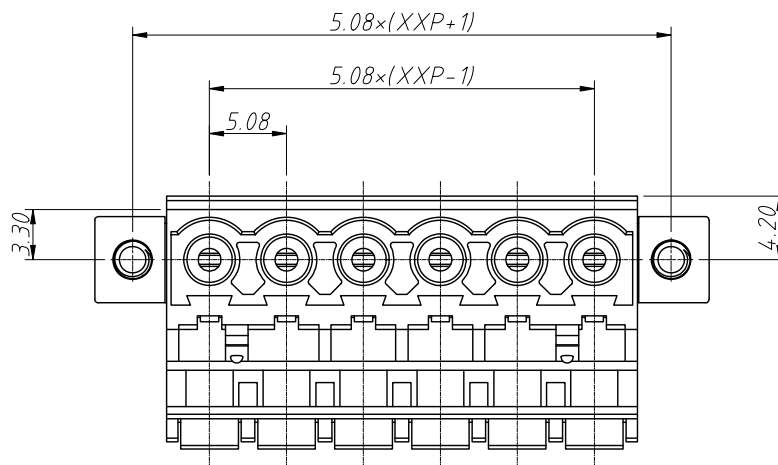
Product NO.: KLS2-EDKDM-5.00-XXP X X

Pos. NO.	_____	Customer Request	_____
Series No.	_____	Color: 1=Gray	2=Blue
Pitch: 5.00=5.00mm	5.08=5.08mm	4=Green	5=Orange
7.62=7.62mm		7=Transparent	8=Yellow
Number of Pole	_____	6=Red	3=Black
		9=White	

1
RoHS Compliance

6	7	8
REV	SYM	Revision Record
V0	KLS02006	New Version Release
		Appr. Jenny
		Date 2024-08-20

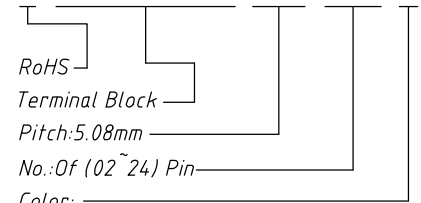
Material and other:
 Housing:PA66, UL 94V-0
 Cover:PA66, UL 94V-0
 Button:POM,UL 94-HB
 Spring:Stainless steel
 Clamp:Copper alloy,Sn Plated
 Screw:Steel,M2.5/Zn Plated
 Screw Torque:0.4Nm max
 Stripping Length:8-9mm
 Operating temperature:-40°C ~ +105°C



Electrical Characteristics	UL	IEC
Rated Voltage	300V	250V
Rated Current	10A	12A
Withstand Voltage	1600V / 1min	4.0KV
Wire Range	12~28 AWG	0.2~2.5mm ²

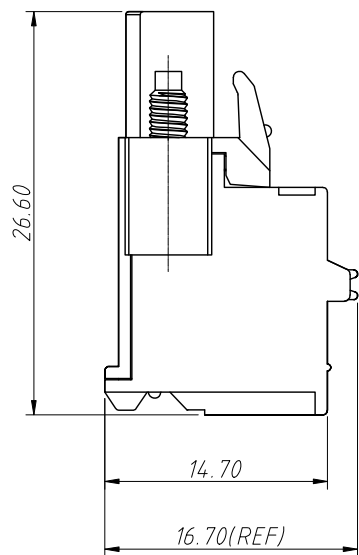
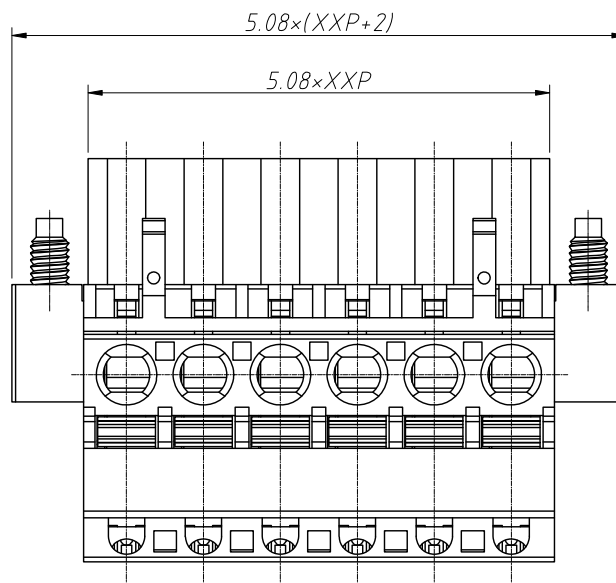
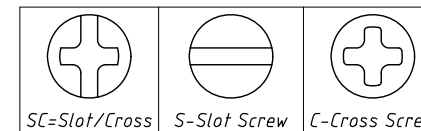
Order Information

L-KLS2-EDKDM-5.08-XXP-4 X



- Color:
- 1=Gray 2=Blue 3=Black
 - 4=Green 5=Orange 6=Red
 - 7=Transp 8=Yellow 9=White

Screw:SC=Slot/Cross
 S-Slot Screw C-Cross Screw



ANGLE TOLERANCE	PROJECTION	Description:
±3°		Pitch 5.08mm Pluggable Terminal Block,Plug
GENERAL TOLERANCE	UNITS	KLS P/N:
0~30 ±0.50	mm	L-KLS2-EDKDM-5.08-XXP-4X
30~60 ±0.75	SHEET SIZE	
60~90 ±1.00	A4	
	Draw:	Jenny 2024-08-20
	Check:	Daniel 2024-08-20

KLS NingBo KLS ELECTRONIC CO.,L TD.