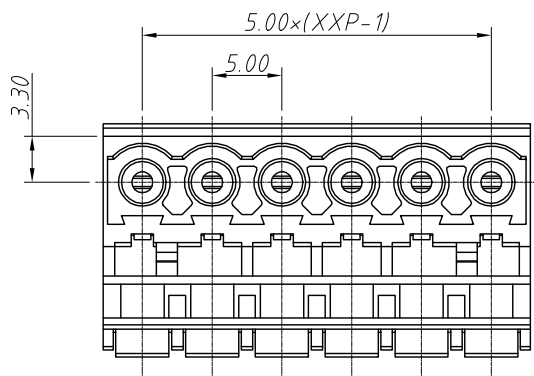


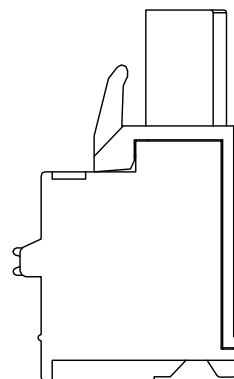
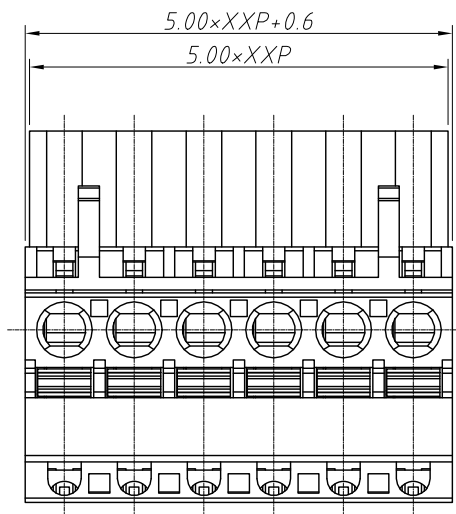
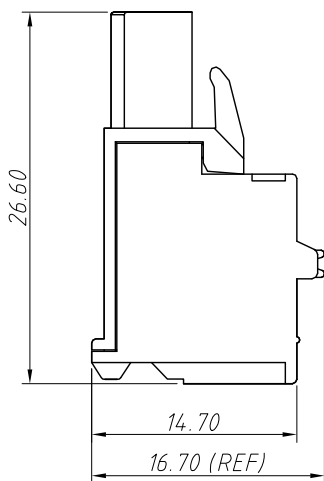
1 RoHS Compliance

6	7	8
REV	SYM	Revision Record
V0	KLS02006	New Version Release
	Appr.	Date
	WuHao	2024-11-01



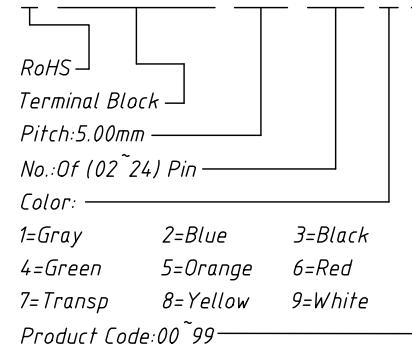
Electrical Characteristics	UL	IEC
Rated Voltage	300V	250V
Rated Current	10A	12A
Withstand Voltage	1600V/1 min	4.0 KV
Wire Range	28~12 AWG	0.2~2.5mm <sup>2</sup>

Material and other:  
 Housing: PA66, UL 94V-0  
 Pin Header: Cobby Alloy, Sn Plated  
 Stripping Length: 8~9mm  
 Operating Temperature: -40°C ~ +105°C



Order Information

L-KLS2-EDKD-5.00-XXP-4 09

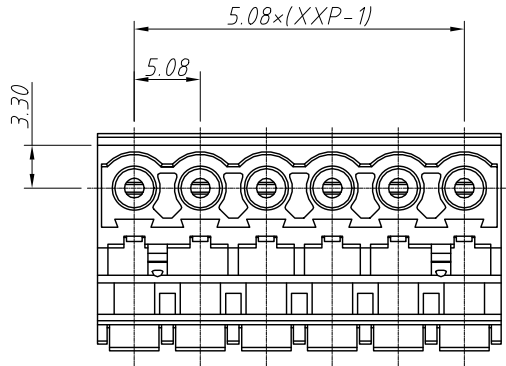


ANGLE TOLERANCE	PROJECTION	Description:
±3°		Pitch 5.00mm Terminal Block
GENERAL TOLERANCE	UNITS	mm
0~30 ±0.50	SHEET SIZE	A4
30~60 ±0.75	Draw:	WuHao 2024-11-01
60~90 ±1.00	Check:	Daniel 2024-11-01
		NingBo KLS ELECTRONIC CO.,L TD.

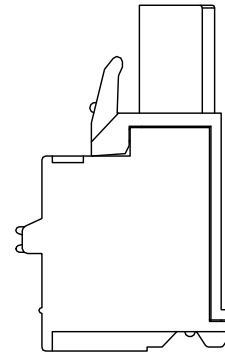
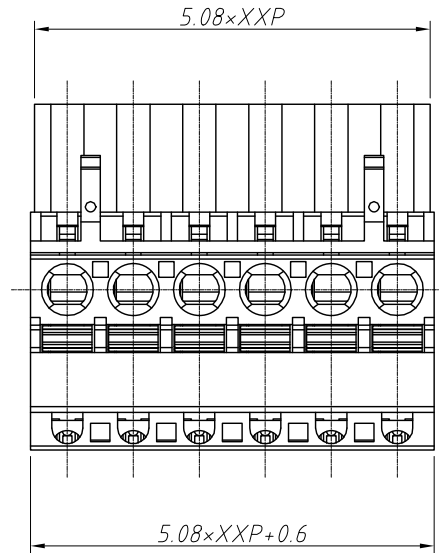
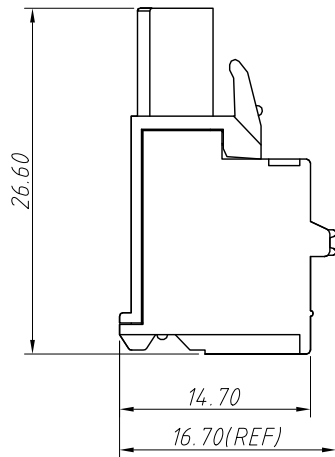
1  
RoHS Compliance

6	7	8
REV	SYM	Revision Record
V0	KLS02006	New Version Release
		Appr. Jenny
		Date 2024-08-20

Electrical Characteristics	UL	IEC
Rated Voltage	300V	250V
Rated Current	10A	12A
Withstand Voltage	1600V / 1min	4.0KV
Wire Range	12~28 AWG	0.2~2.5mm <sup>2</sup>



Material and other:  
Housing: PA66, UL94V-0  
Pins: Copper alloy, Sn Plated  
Stripping Length: 8-9mm  
Operating temperature: -40°C ~ +105°C



Order Information  
L-KLS2-EDKD-5.08-XXP-4

RoHS  
Terminal Block  
Pitch: 5.08mm  
No.: Of (02~24) Pin  
Color:

1=Gray    2=Blue    3=Black  
4=Green    5=Orange    6=Red  
7=Transp    8=Yellow    9=White

ANGLE TOLERANCE	PROJECTION	Description:
±3°		Pitch 5.08mm Pluggable Terminal Block, Plug
GENERAL TOLERANCE	UNITS	mm
0~30	±0.50	
30~60	±0.75	
60~90	±1.00	
	SHEET SIZE	A4
	Draw:	Jenny
	Check:	Daniel
		2024-08-20
		2024-08-20
		L-KLS2-EDKD-5.08-XXP-4
		NingBo KLS ELECTRONIC CO.,LTD.