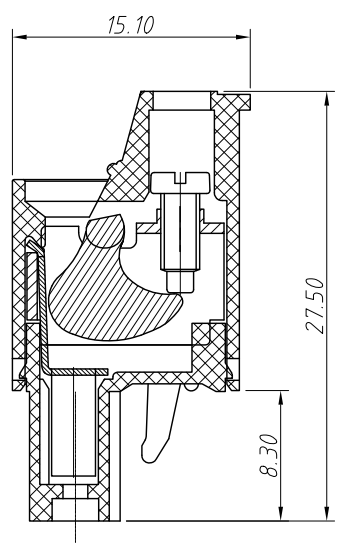
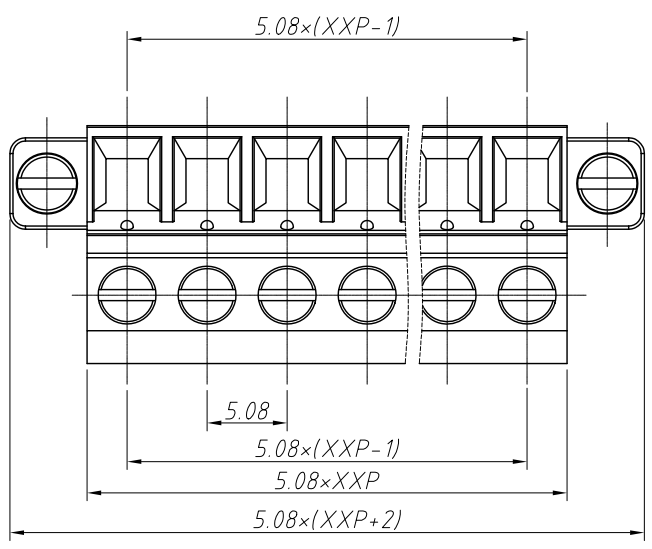
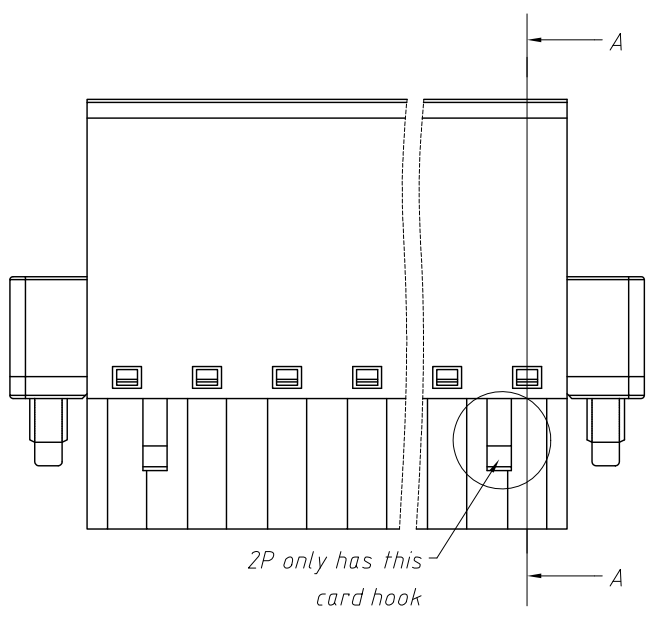


1
RoHS Compliance

2
Material and other:
Housing: PA66, UL94V-0
Clamp: Phosphor Bronze, Ni Plated
Cage: Steel, Zn Plated
Screw/Torque: Steel, M2.5, Zn Plated/0.4N.m
Slide Block: Steel, Zn Plated
Contact resistance: 20mΩ MAX
Insulation resistance: 500MΩ/DC500V
Stripping Length: 7~8mm
Temp. Range: -40°C ~ +105°C



SECTION A-A

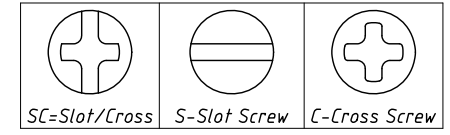


6	7	8
REV	SYM	Revision Record
V0	KLS02006	New Version Release
		Appr. WuHao
		Date 2024-11-01

Electrical Characteristics	UL	IEC
Rated Voltage	300V	450V
Rated Current	15A	17.5A
Withstand Voltage	AC2000V/1 min	---
Wire Range	28~14 AWG	1.5mm ²

Order Information
L-KLS2-EDKCM-5.08-XXP-X X

RoHS
Terminal Block
Pitch: 5.08mm
No.: Of (02~24) Pin
Color: 1=Gray 2=Blue 3=Black
4=Green 5=Orange 6=Red
7=Transp 8=Yellow 9=White
Screw: SC=Slot/Cross
S-Slot Screw C-Cross Screw



ANGLE TOLERANCE	PROJECTION	Description:
±3°		Pitch 5.08mm Terminal Block
GENERAL TOLERANCE	UNITS	KLS P/N:
0~30 ±0.50	mm	L-KLS2-EDKCM-5.08-XXP-XX
30~60 ±0.75	SHEET SIZE	A4
60~90 ±1.00	Draw:	WuHao 2024-11-01
	Check:	Daniel 2024-11-01



NingBo KLS ELECTRONIC CO.,L TD.