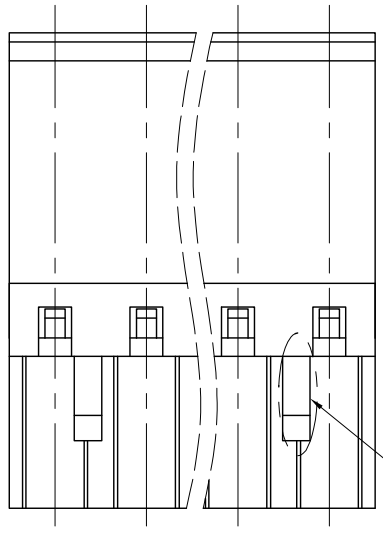
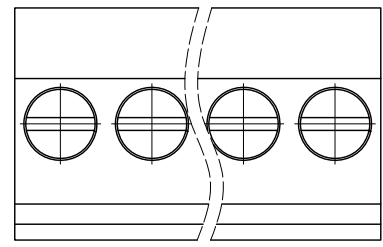


1 RoHS Compliance

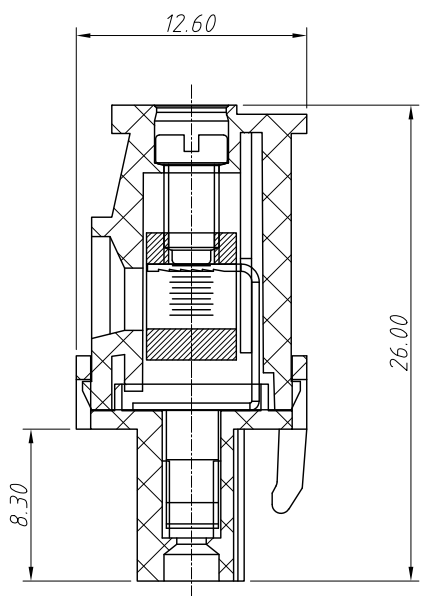
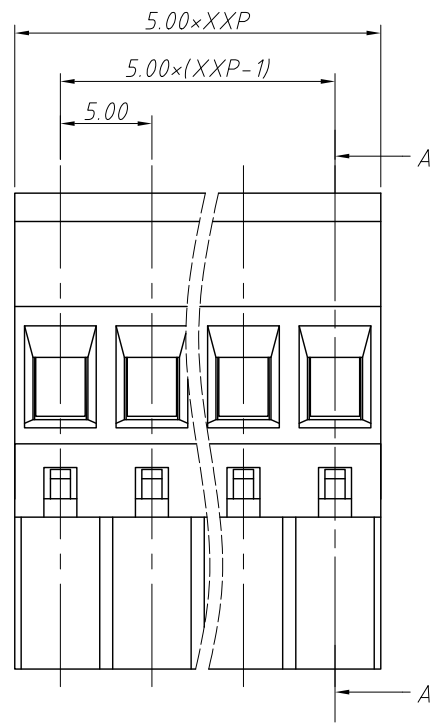
6	7	8
REV	SYM	Revision Record
V0	KLS02006	New Version Release
Appr.	Appr.	Date
WuHao	WuHao	2024-10-31



2P only has this card hook

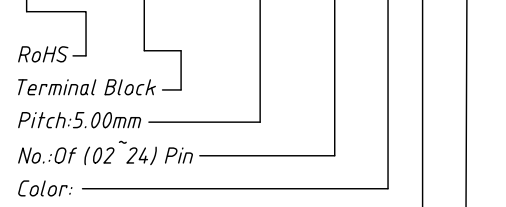
Electrical Characteristics	UL	IEC
Rated Voltage	300V	250V
Rated Current	15A	13.5A
Withstand Voltage	2000V/1 min	4.0 KV
Wire Range	28~14 AWG	0.2~2.5mm <sup>2</sup>

Material and other:  
 Housing:PA66, UL94V-0  
 Pin Header:Copper Alloy  
 Screw/Torque:M3/0.5N.m  
 Stripping Length:7~8mm  
 Operating temperature:-40°C ~ +105°C



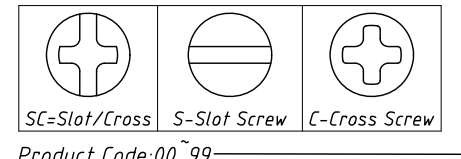
SECTION A-A

Order Information  
 L-KLS2-EDKB-5.00-XXP-4 C 01



- RoHS
- Terminal Block
- Pitch:5.00mm
- No.:Of (02~24) Pin
- Color:
  - 1=Gray 2=Blue 3=Black
  - 4=Green 5=Orange 6=Red
  - 7=Transp 8=Yellow 9=White

Screw:SC=Slot/Cross  
 S-Slot Screw C-Cross Screw

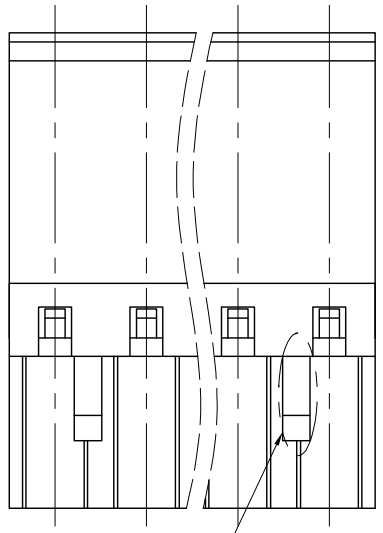
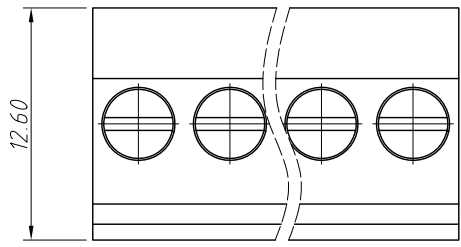


Product Code:00~99

ANGLE TOLERANCE	PROJECTION	Description:
±3°		Pitch 5.00mm Terminal Block
GENERAL TOLERANCE	UNITS	mm
0~30 ±0.50	SHEET SIZE	A4
30~60 ±0.75	Draw:	WuHao 2024-10-31
60~90 ±1.00	Check:	Daniel 2024-10-31
		L-KLS2-EDKB-5.00-XXP-4C01
		NingBo KLS ELECTRONIC CO.,L TD.

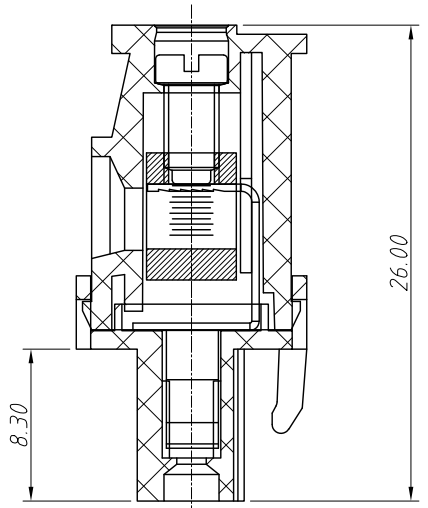
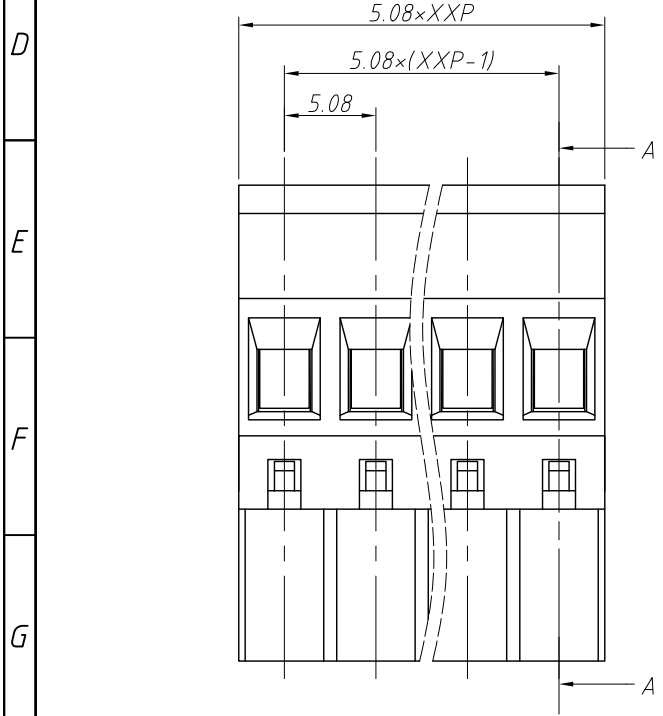
1  
RoHS Compliance

6		7		8	
REV	SYM	Revision Record		Appr.	Date
V0	KLS02006	New Version Release		WuHao	2024-10-31
Electrical Characteristics		UL	IEC		
Rated Voltage		300V	450V		
Rated Current		15A	17.5A		
Withstand Voltage		2000V/1 min	---		
Wire Range		28~14 AWG	1.5mm <sup>2</sup>		



2P only has this card hook

Material and other:  
 Housing:PA66, UL94V-0  
 Clamp:Phosphor Bronze,Ni Plated Cage:Brass,Ni Plated  
 Screw/Torque:Steel,M3,Zn Plated/0.5N.m  
 Contact resistance:20mΩ MAX Insulation resistance:500MΩ/DC500V  
 Stripping Length:7~8mm  
 Temp.Range:-40°C ~ +105°C Soldering:+250°C, For 5 Sec

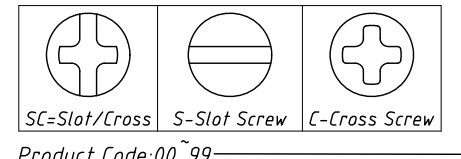


SECTION A-A

Order Information

L-KLS2-EDKB-5.08-XXP-4 C 01

RoHS  
 Terminal Block  
 Pitch:5.08mm  
 No.:Of (02~24) Pin  
 Color:  
 1=Gray 2=Blue 3=Black  
 4=Green 5=Orange 6=Red  
 7=Transp 8=Yellow 9=White  
 Screw:SC=Slot/Cross  
 S-Slot Screw C-Cross Screw



Product Code:00~99

ANGLE TOLERANCE	PROJECTION	Description:			
±3°		Pitch 5.08mm Terminal Block			
GENERAL TOLERANCE	UNITS	mm	KLS P/N:	L-KLS2-EDKB-5.08-XXP-4C01	
0~30 ±0.50	SHEET SIZE	A4			
30~60 ±0.75	Draw:	WuHao	2024-10-31	NingBo KLS ELECTRONIC CO.,L TD.	
60~90 ±1.00	Check:	Daniel	2024-10-31		