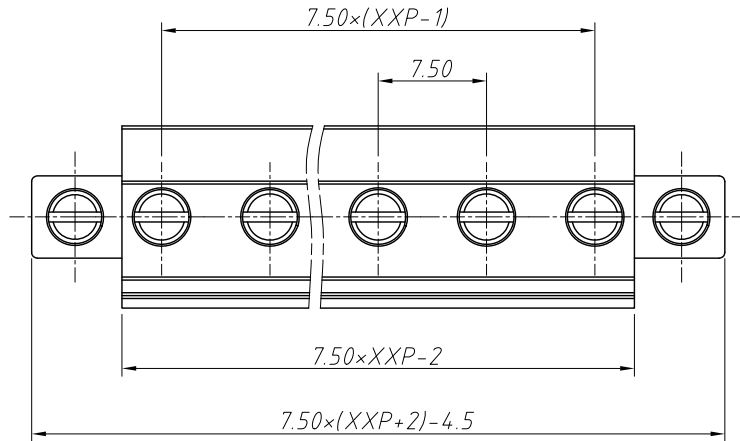


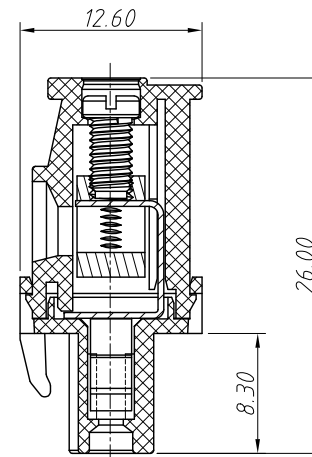
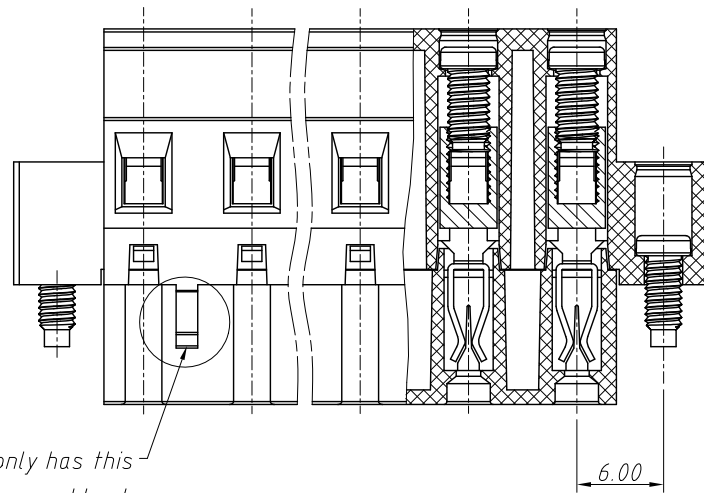
1 RoHS Compliance

6	7	8		
REV	SYM	Revision Record	Appr.	Date
V0	KLS02006	New Version Release	WuHao	2024-10-31



Material and other:
 Housing:PA66, UL94V-0
 Clamp:Phosphor Bronze,Ni Plated
 Cage:Brass,Ni Plated
 Screw/Torque:Steel,M3,Zn Plated/0.5N.m
 Fixing Screws:Steel,M2.5,Zn Plated
 Contact resistance:20mΩ MAX
 Insulation resistance:500MΩ/DC500V
 Stripping Length:7~8mm
 Temp.Range:-40°C~+105°C

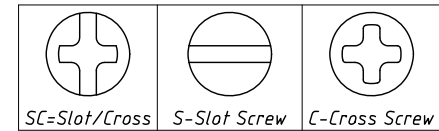
Electrical Characteristics	UL	IEC
Rated Voltage	300V	450V
Rated Current	15A	17.5A
Withstand Voltage	AC2000V/1 min	---
Wire Range	28~14 AWG	1.5mm ²



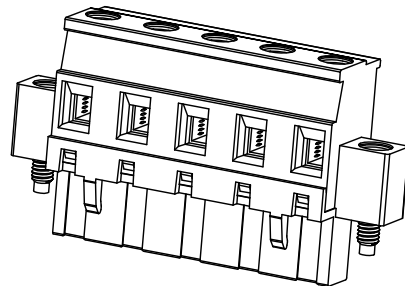
Order Information

L-KLS2-EDKAM-7.50-XXP-X X

- RoHS
- Terminal Block
- Pitch:7.50mm
- No.:Of (02~24) Pin
- Color:1=Gray 2=Blue 3=Black
- 4=Green 5=Orange 6=Red
- 7=Transp 8=Yellow 9=White
- Screw:SC=Slot/Cross
- S-Slot Screw C-Cross Screw



2P only has this card hook

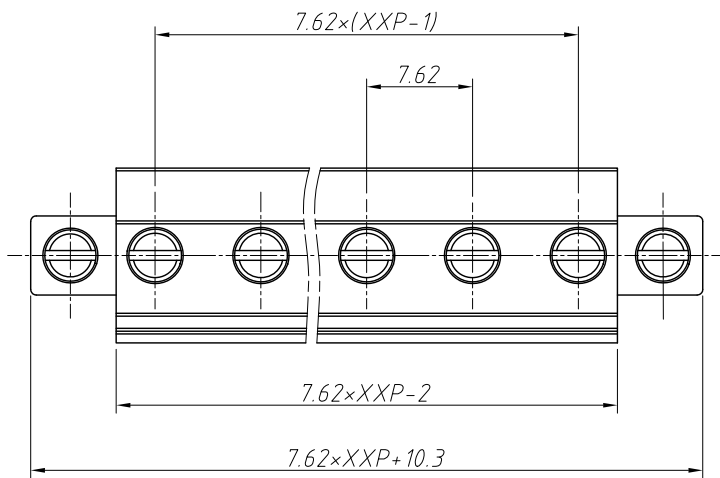


ANGLE TOLERANCE	PROJECTION	Description:		
±3°		Pitch 7.50mm Terminal Block		
GENERAL TOLERANCE	UNITS	mm	KLS P/N:	L-KLS2-EDKAM-7.50-XXP-XX
0~30	±0.50	SHEET SIZE	A4	
30~60	±0.75	Draw:	WuHao	2024-10-31
60~90	±1.00	Check:	Daniel	2024-10-31



NingBo KLS ELECTRONIC CO.,LTD.

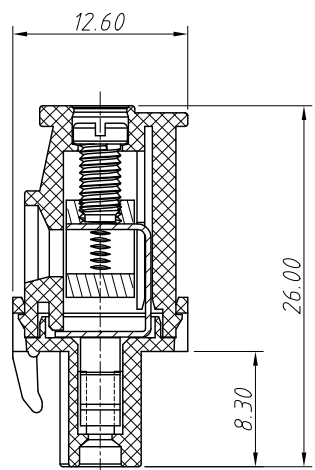
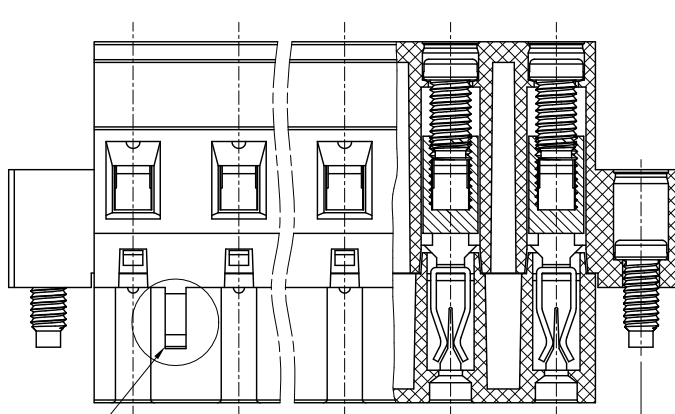
1 RoHS Compliance



Material and other:
 Housing:PA66, UL94V-0
 Clamp:Phosphor Bronze,Ni Plated
 Cage:Brass,Ni Plated
 Screw/Torque:Steel,M3,Zn Plated/0.5N.m
 Fixing Screws:Steel,M2.5,Zn Plated
 Contact resistance:20mΩ MAX
 Insulation resistance:500MΩ/DC500V
 Stripping Length:7~8mm
 Temp.Range:-40°C~+105°C

REV	SYM	Revision Record	Appr.	Date
V0	KLS02006	New Version Release	WuHao	2024-10-31

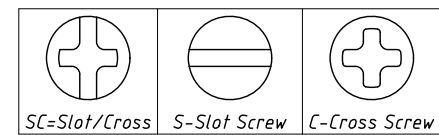
Electrical Characteristics	UL	IEC
Rated Voltage	300V	750V
Rated Current	15A	20A
Withstand Voltage	2000V/1 min	---
Wire Range	28~14 AWG	1.5mm ²



Order Information

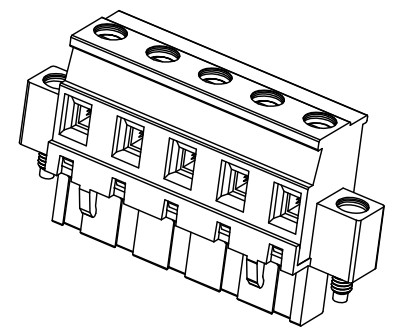
L-KLS2-EDKAM-7.62-XXP-4 C 09

RoHS
 Terminal Block
 Pitch:7.62mm
 No.:Of (02~24) Pin
 Color:
 1=Gray 2=Blue 3=Black
 4=Green 5=Orange 6=Red
 7=Transp 8=Yellow 9=White
 Screw:SC=Slot/Cross
 S-Slot Screw C-Cross Screw



Product Code:00~99

2P only has this card hook



ANGLE TOLERANCE	PROJECTION	Description:	Pitch 7.62mm Terminal Block	
±3°				
GENERAL TOLERANCE	UNITS	mm	KLS P/N:	L-KLS2-EDKAM-7.62-XXP-4C09
0~30 ±0.50	SHEET SIZE	A4		
30~60 ±0.75	Draw:	WuHao	2024-10-31	
60~90 ±1.00	Check:	Daniel	2024-10-31	

NingBo KLS ELECTRONIC CO.,LTD.