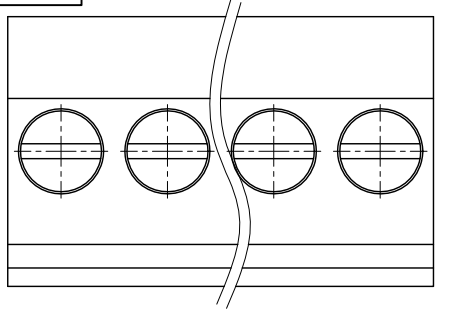
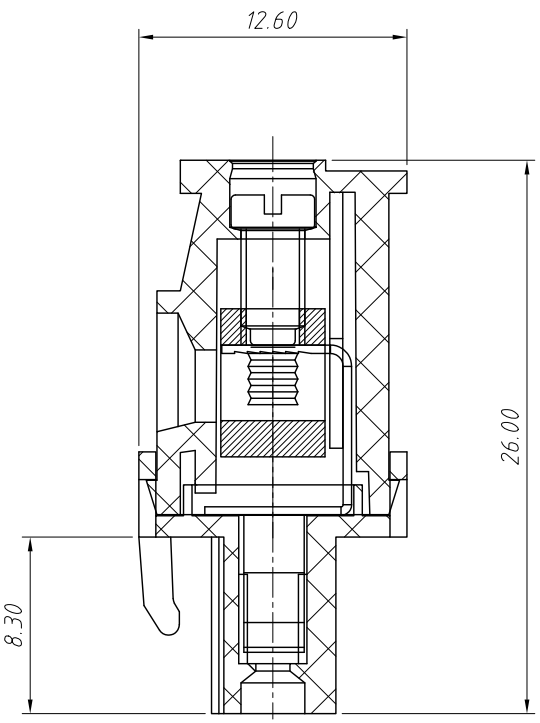
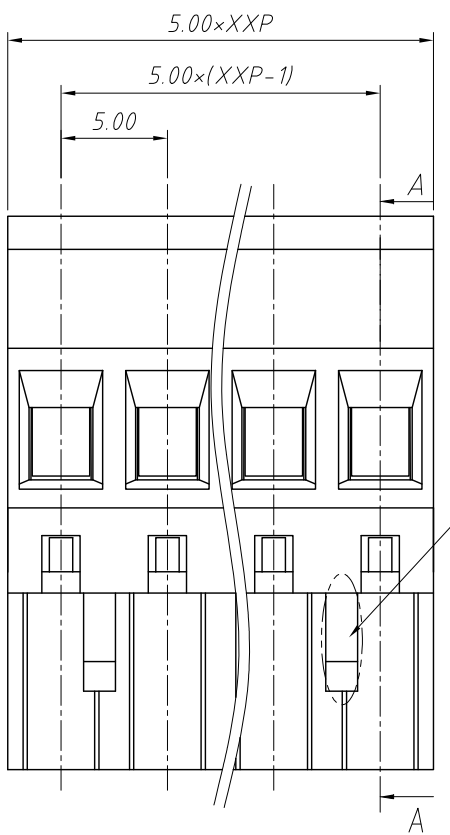


1 RoHS Compliance

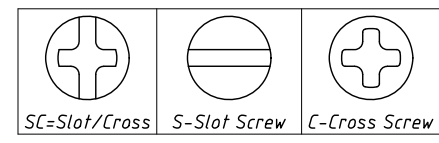
REV	SYM	Revision Record	Appr.	Date
V0	KLS02006	New Version Release	Jenny	2024-02-21
V1	KLS02006	Technology Improvement	WuHao	2024-10-25



Electrical Characteristics	UL	IEC
Rated Voltage	300V	250V
Rated Current	15A	13.5A
Withstand Voltage	2000V/1 min	4.0 KV
Wire Range	14~28 AWG	0.2~2.5mm ²



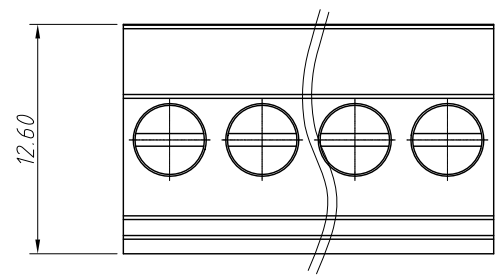
Material
 Housing: PA66, UL94V-0
 Pin Header: Copper alloy
Electrical
 Temp. Range: -40°C ~ +105°C
 Strip length: 7~8mm
 Screw/Torque: M3/0.5N.m Max
Order Information
 L-KLS2-EDKA-5.00-XXP-X X
 RoHS
 Terminal Block
 Pitch: 5.00mm
 No.: of (02~24) Pole
 Color:
 1=Gray 2=Blue 3=Black
 4=Green 5=Orange 6=Red
 7=Transp 8=Yellow 9=White
 Screw: SC=Slot/Cross
 S-Slot Screw C-Cross Screw



ANGLE TOLERANCE	PROJECTION	Description:
±3°		5.00mm Pluggable terminal blocks
GENERAL TOLERANCE	UNITS	mm
x.x ±0.30	SHEET SIZE	A4
x.xx ±0.20	Draw:	WuHao 2024-10-25
x.xxx ±0.10	Check:	Daniel 2024-10-25
KLS ELECTRONIC		NingBo KLS ELECTRONIC CO.,L TD.

1
RoHS Compliance

6	7	8
REV	SYM	Revision Record
V0	KLS02006	New Version Release
		Appr.
		WuHao
		Date
		2024-10-31



Material and other:
 Housing:PA66, UL 94 V-0
 Clamp:Phosphor Bronze,Ni Plated
 Cage:Brass,Ni Plated
 Screw/Torque:Steel,M3,Zn Plated/0.5N.m
 Stripping Length:7~8mm
 Contact resistance:20mΩ MAX
 Insulation resistance:500MΩ/DC500V
 Temp.Range:-40°C ~ +105°C
 Soldering:+250°C, For 5 Sec

Electrical Characteristics	UL	IEC
Rated Voltage	300V	450V
Rated Current	15A	17.5A
Withstand Voltage	AC2000V/1 min	---
Wire Range	28~14 AWG	1.5mm ²

B

C

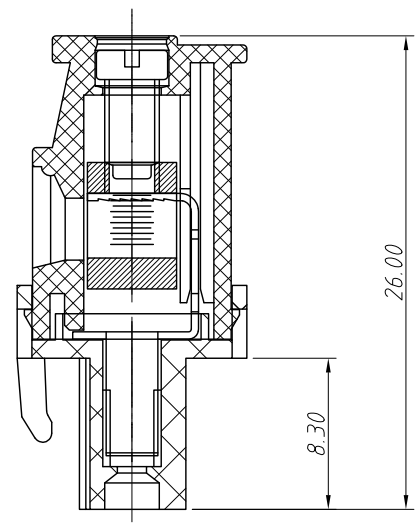
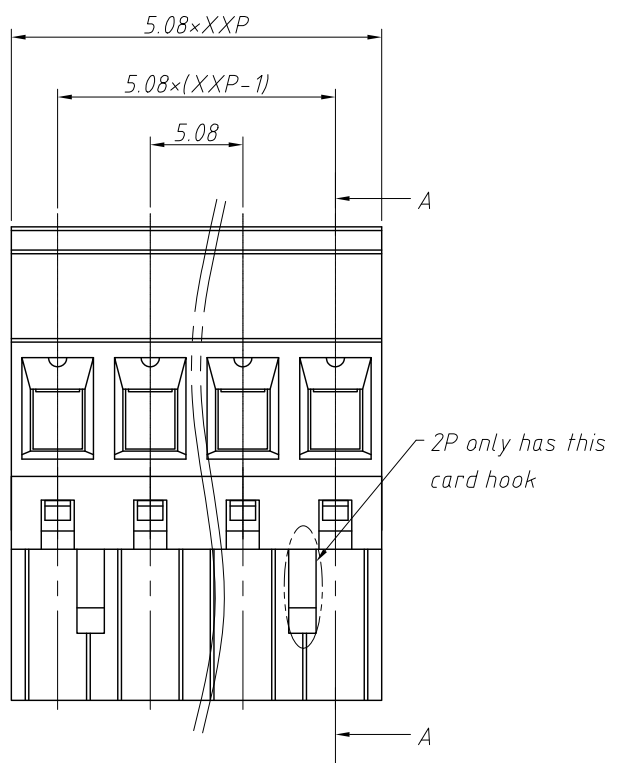
D

E

F

G

H



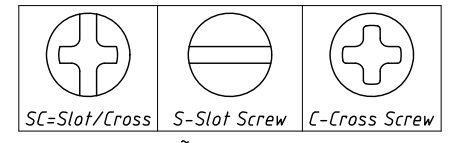
SECTION A-A

Order Information
 L-KLS2-EDKA-5.08-XXP-4 C 01

RoHS
 Terminal Block
 Pitch:5.08mm
 No.:Of (02~24) Pin
 Color:

- 1=Gray 2=Blue 3=Black
- 4=Green 5=Orange 6=Red
- 7=Transp 8=Yellow 9=White

Screw:SC=Slot/Cross
 S-Slot Screw C-Cross Screw



Product Code:00~99

ANGLE TOLERANCE	PROJECTION	Description:
±3°		Pitch 5.08mm Terminal Block
GENERAL TOLERANCE	UNITS	KLS P/N:
0~30 ±0.50	mm	L-KLS2-EDKA-5.08-XXP-4C01
30~60 ±0.75	SHEET SIZE	
60~90 ±1.00	A4	
	Draw:	WuHao 2024-10-31
	Check:	Daniel 2024-10-31

