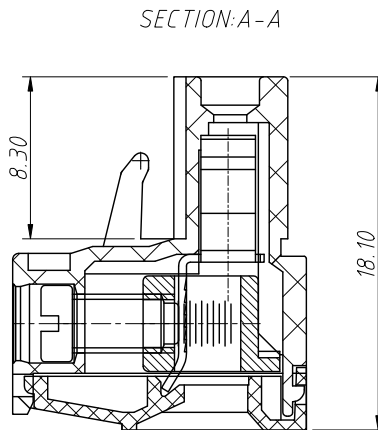
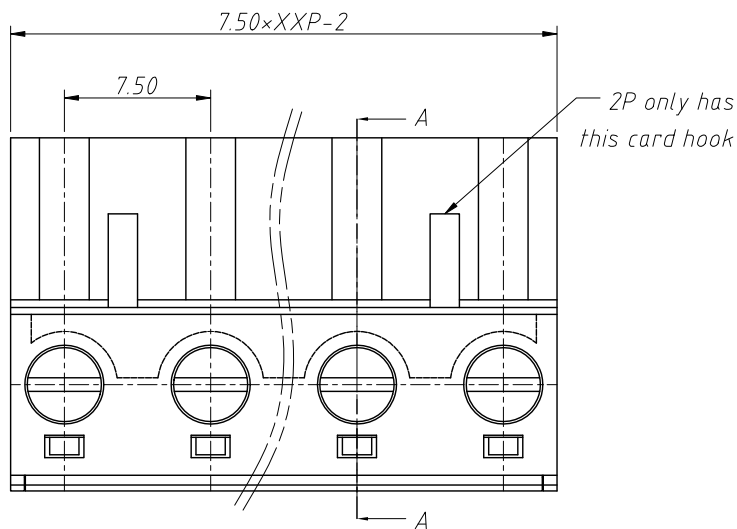
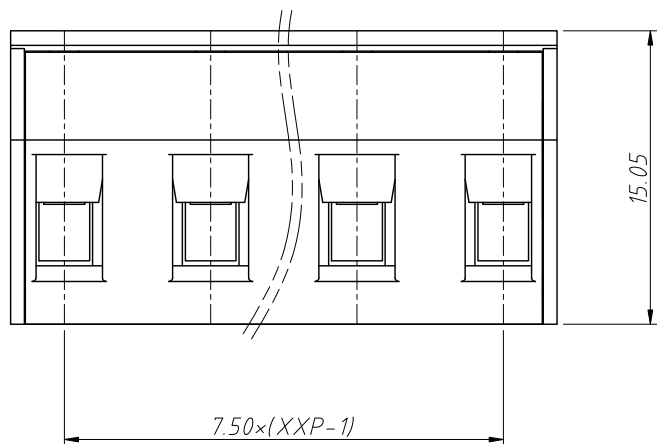


1
RoHS Compliance

6	7	8
REV	SYM	Revision Record
V0	KLS02006	New Version Release
Appr.	Jenny	Date
		2024-08-20

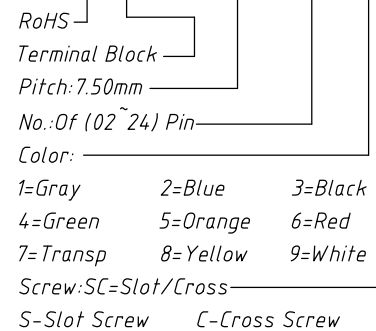


Electrical Characteristics	UL	IEC
Rated Voltage	300V	630V
Rated Current	15A	20A
Withstand Voltage	2000V / 1min	---
Wire Range	14 ~ 28 AWG	2.5mm ²



Order Information

L-KLS2-EDK-7.50-XXP-4 X



Material and other:

Housing: PA66, UL 94V-0

Clamp: Copper alloy, Ni Plated

Cage: Copper alloy, Ni Plated

Screw: M3 Steel, Zn Plated

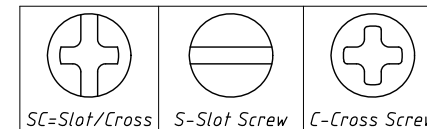
Screw Torque: 0.5Nm max

Stripping Length: 7-8mm

Temp. Range: -40°C ~ +105°C

Contact resistance: 20mΩ MAX

Insulation resistance: 500MΩ/DC500V



ANGLE TOLERANCE	PROJECTION	Description:
±3°		Pitch 7.50mm Pluggable Terminal Block, Plug
GENERAL TOLERANCE	UNITS	mm
0 ~ 30	±0.50	KLS P/N:
30 ~ 60	±0.75	L-KLS2-EDK-7.50-XXP-4X
60 ~ 90	±1.00	
SHEET SIZE	A4	
Draw:	Jenny	2024-08-20
Check:	Daniel	2024-08-20

NingBo KLS ELECTRONIC CO.,L TD.

1 RoHS Compliance

REV	SYM	Revision Record	Appr.	Date
V0	KLS02006	New Version Release	Jenny	2024-08-20

Electrical Characteristics	UL	IEC
Rated Voltage	300V	400V
Rated Current	15A	10A
Withstand Voltage	1600V / 1 min	6.0KV
Wire Range	12~28 AWG	0.5~2.5mm ²

Material and other:

Housing: PA66, UL 94V-0

Contactors: Copper alloy, Ni Plated

Screw Torque: M3/0.5Nm max

Stripping Length: 7-8mm

Operating Temperature: -40°C ~ +105°C

Order Information

L-KLS2-EDK-7.62-XXP-4 X

RoHS

Terminal Block

Pitch: 7.62mm

No.: Of (02~24) Pin

Color:

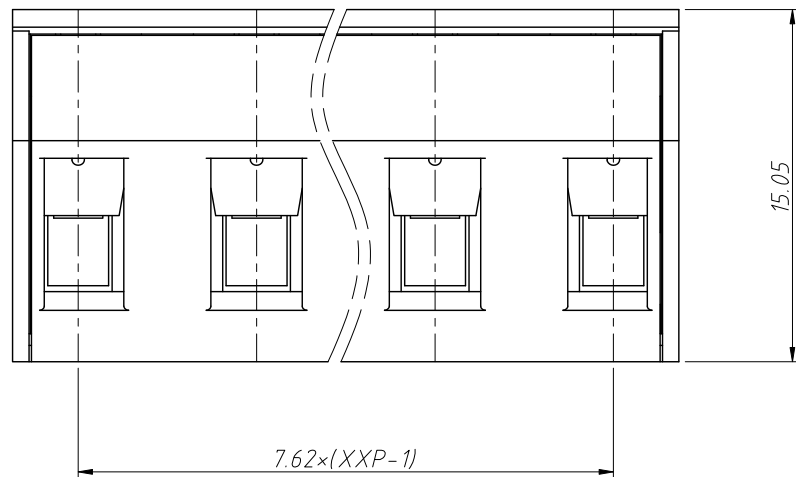
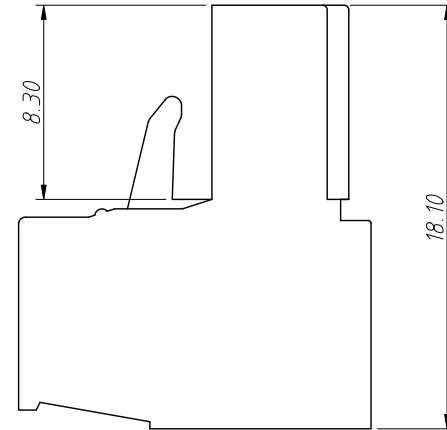
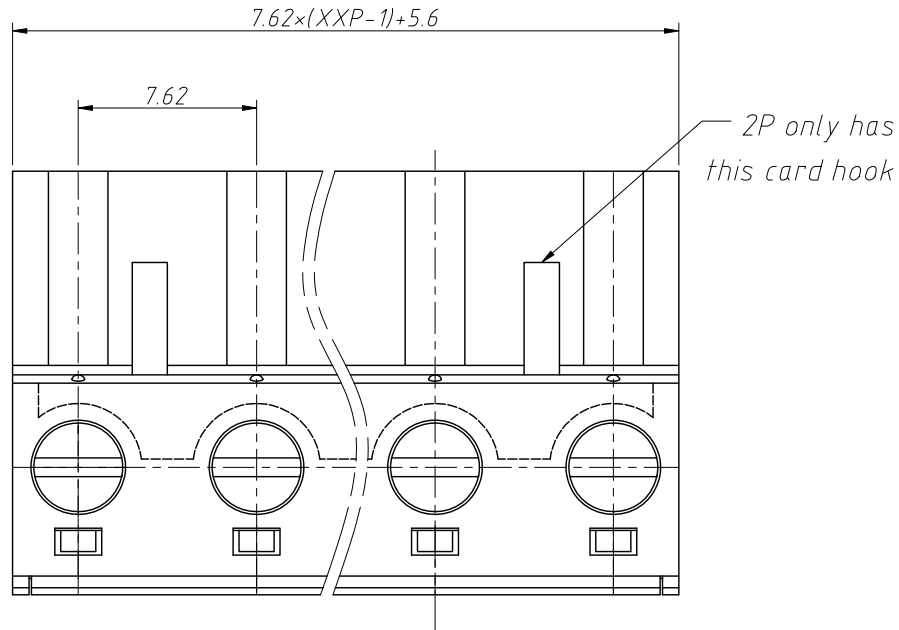
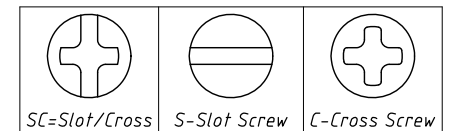
1=Gray 2=Blue 3=Black

4=Green 5=Orange 6=Red

7=Transp 8=Yellow 9=White

Screw: SC=Slot/Cross

S-Slot Screw C-Cross Screw



ANGLE TOLERANCE	PROJECTION	Description:
±3°		Pitch 7.62mm Pluggable Terminal Block, Plug
GENERAL TOLERANCE	UNITS	mm
0~30 ±0.50	SHEET SIZE	A4
30~60 ±0.75	Draw:	Jenny 2024-08-20
60~90 ±1.00	Check:	Daniel 2024-08-20
		L-KLS2-EDK-7.62-XXP-4X



NingBo KLS ELECTRONIC CO.,L TD.