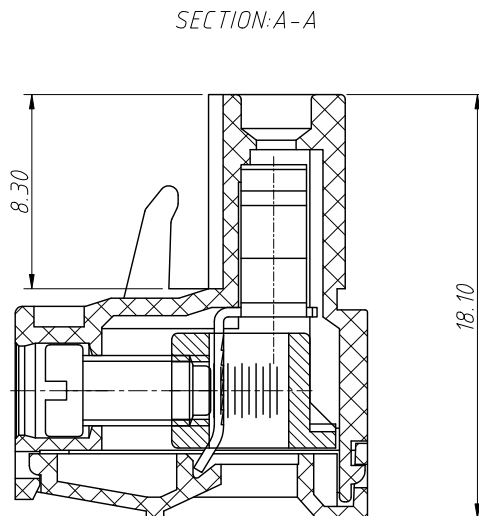
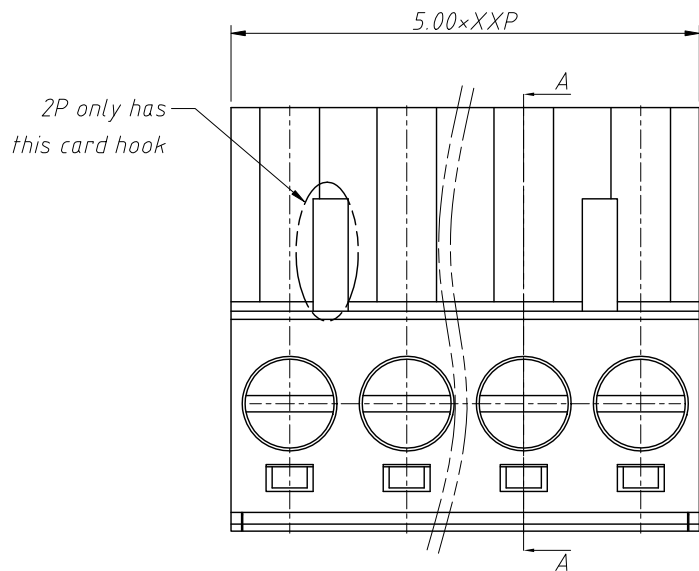
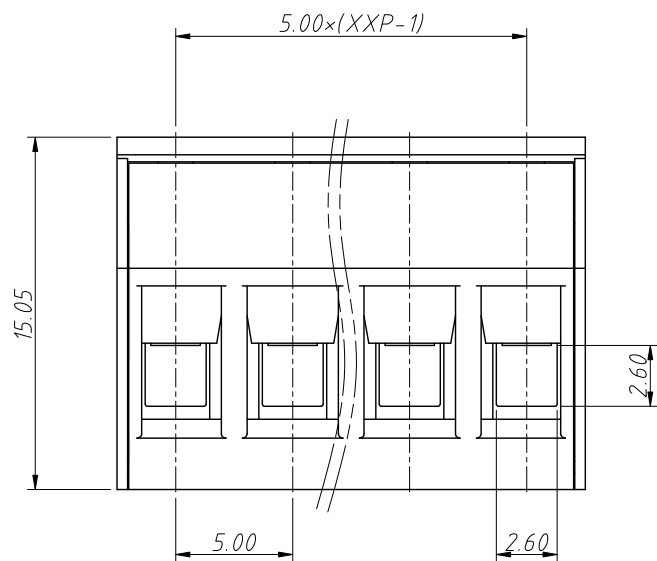


1 RoHS Compliance

|       |          |                     |
|-------|----------|---------------------|
| 6     | 7        | 8                   |
| REV   | SYM      | Revision Record     |
| V0    | KLS02006 | New Version Release |
| Appr. | Jenny    | Date                |
|       |          | 2024-08-20          |

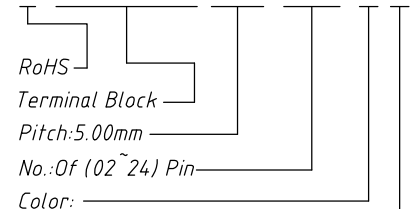


|                            |              |                    |
|----------------------------|--------------|--------------------|
| Electrical Characteristics | UL           | IEC                |
| Rated Voltage              | 300V         | 320V               |
| Rated Current              | 15A          | 10A                |
| Withstand Voltage          | 2000V / 1min | ---                |
| Wire Range                 | 14~28 AWG    | 2.5mm <sup>2</sup> |



Order Information

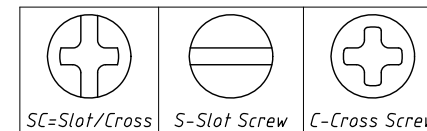
L-KLS2-EDK-5.00-XXP-4 X



- 1=Gray      2=Blue      3=Black
- 4=Green    5=Orange    6=Red
- 7=Transp   8=Yellow    9=White

Screw:SC=Slot/Cross

S-Slot Screw    C-Cross Screw



Material and other:

Housing:PA66, UL94V-0

Clamp:Copper alloy,Ni Plated

Cage:Copper alloy,Ni Plated

Screw:M3 Steel,Zn Plated

Screw Torque:M3/0.5Nm max

Stripping Length:7-8mm

Temp. Range:-40°C ~ +105°C

Contact resistance:20mΩ MAX

Insulation resistance:500MΩ/DC500V

Withstanding Voltage:AC2000V 1minute

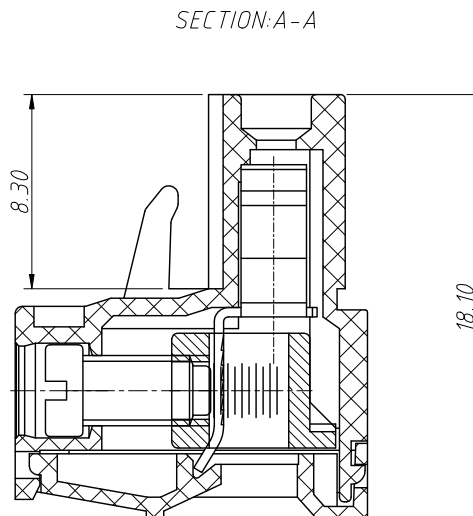
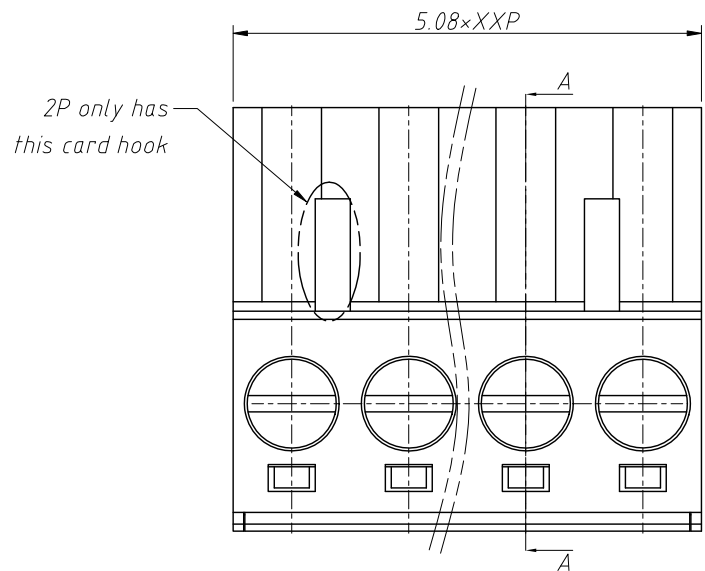
|                   |            |  |
|-------------------|------------|--|
| ANGLE TOLERANCE   | PROJECTION | Description:                               |
| ±3°               |            | Pitch 5.00mm Pluggable Terminal Block,Plug |
| GENERAL TOLERANCE | UNITS      | mm   |
| 0~30              | ±0.50      | SHEET SIZE                                 |
| 30~60             | ±0.75      | A4   |
| 60~90             | ±1.00      | Draw:                                      |
|                   |            | Jenny                                      |
|                   |            | 2024-08-20                                 |
|                   |            | Check:                                     |
|                   |            | Daniel                                     |
|                   |            | 2024-08-20                                 |



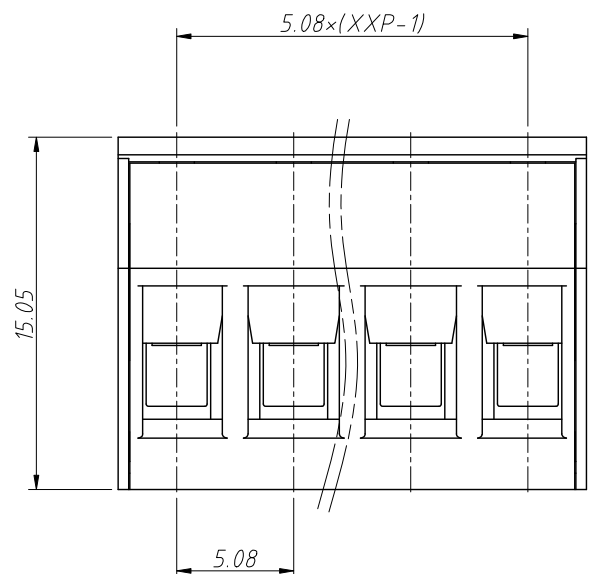
NingBo KLS ELECTRONIC CO.,L TD.

1 RoHS Compliance

|     |          |                     |
|-----|----------|---------------------|
| 6   | 7        | 8                   |
| REV | SYM      | Revision Record     |
| V0  | KLS02006 | New Version Release |
|     |          | Appr. Jenny         |
|     |          | Date 2024-08-20     |



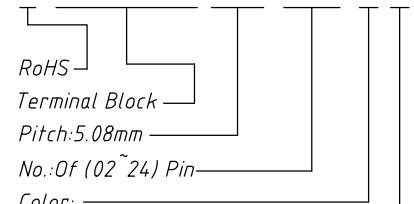
|                            |              |                    |
|----------------------------|--------------|--------------------|
| Electrical Characteristics | UL           | IEC                |
| Rated Voltage              | 300V         | 320V               |
| Rated Current              | 15A          | 10A                |
| Withstand Voltage          | 2000V / 1min | ---                |
| Wire Range                 | 14 ~ 28 AWG  | 2.5mm <sup>2</sup> |



Material and other:  
 Housing: PA66, UL 94V-0  
 Clamp: Copper alloy, Ni Plated  
 Cage: Copper alloy, Ni Plated  
 Screw: M3 Steel, Zn Plated  
 Screw Torque: M3/0.5Nm max  
 Stripping Length: 7-8mm  
 Temp. Range: -40°C ~ +105°C  
 Contact resistance: 20mΩ MAX  
 Insulation resistance: 500MΩ/DC500V  
 Withstanding Voltage: AC2000V 1minute

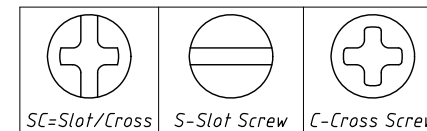
Order Information

L-KLS2-EDK-5.08-XXP-4 X



- 1=Gray      2=Blue      3=Black
- 4=Green    5=Orange    6=Red
- 7=Transp   8=Yellow    9=White

Screw: SC=Slot/Cross  
 S-Slot Screw    C-Cross Screw



|                   |            |   |
|-------------------|------------|---|
| ANGLE TOLERANCE   | PROJECTION | Description:                                |
| ±3°               |            | Pitch 5.08mm Pluggable Terminal Block, Plug |
| GENERAL TOLERANCE | UNITS      | mm  |
| 0 ~ 30            | ±0.50      | KLS P/N:                                    |
| 30 ~ 60           | ±0.75      | L-KLS2-EDK-5.08-XXP-4X                      |
| 60 ~ 90           | ±1.00      |   |
|                   | SHEET SIZE | A4  |
|                   | Draw:      | Jenny                                       |
|                   | Check:     | Daniel                                      |
|                   |            | 2024-08-20                                  |
|                   |            | 2024-08-20                                  |



NingBo KLS ELECTRONIC CO.,L TD.