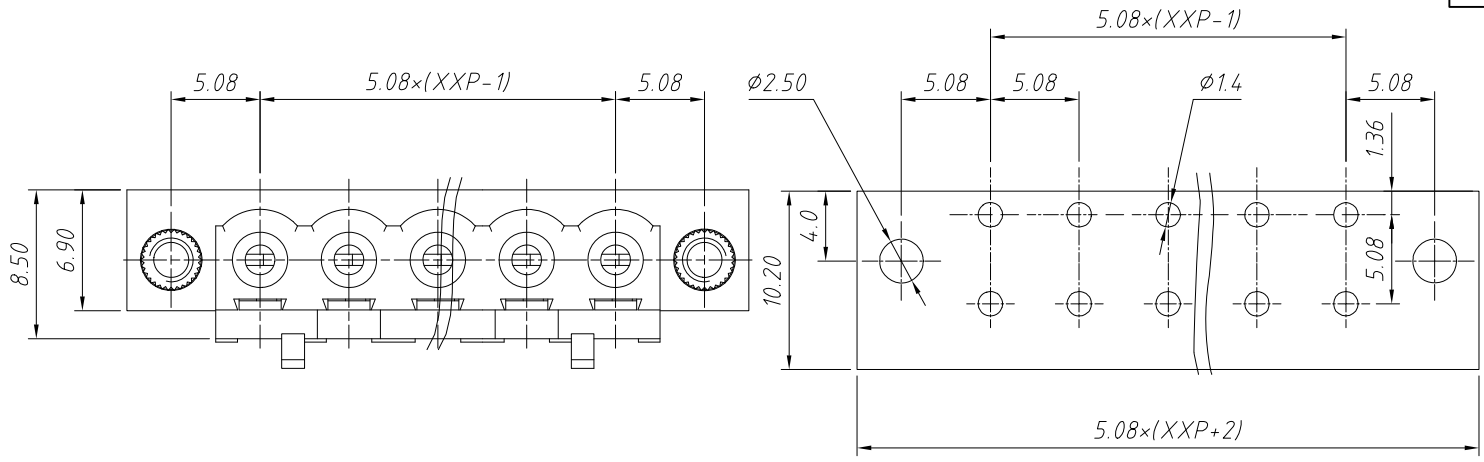


1 RoHS Compliance

| REV | SYM | Revision Record | Appr. | Date |
|-----|----------|------------------------|-------|------------|
| V0 | KLS02006 | New Version Release | Jenny | 2024-03-11 |
| V1 | KLS02006 | Technology Improvement | WuHao | 2024-10-25 |



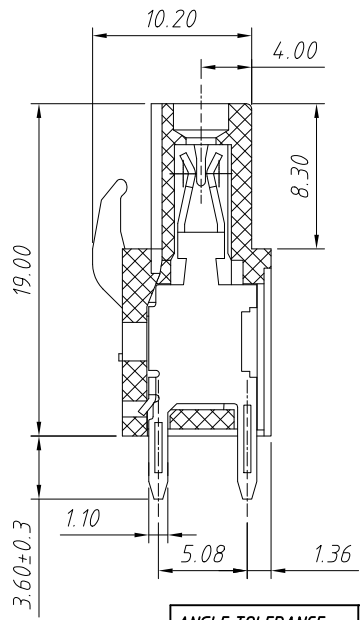
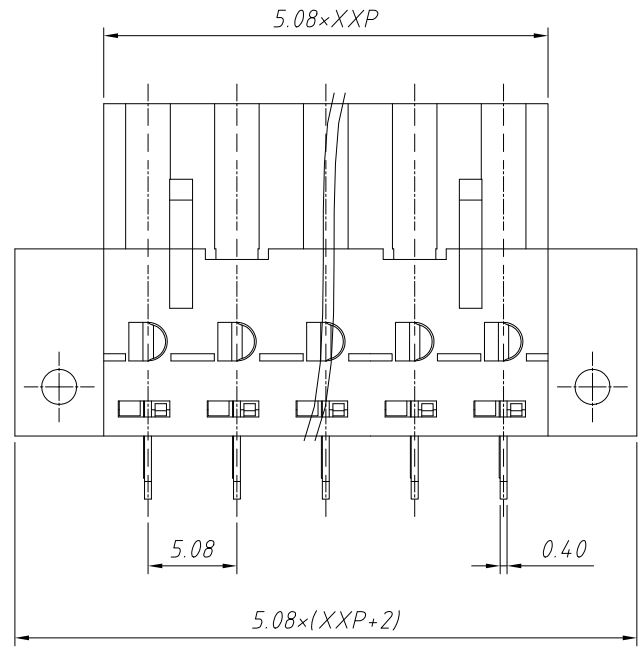
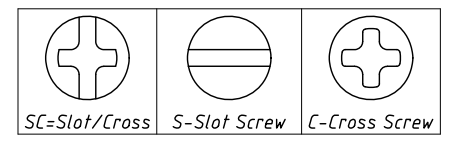
Recommended PCB Layout

| | | |
|----------------------------|--------------|-------|
| Electrical Characteristics | UL | IEC |
| Rated Voltage | 300V | 450V |
| Rated Current | 15A | 17.5A |
| Withstand Voltage | AC2000V/1min | --- |

Material
 Housing:PA66,UL94V-0
 Clamp:Phosphor Bronze,Tin Plated
 Nut:M2.5 Brass
 Temp. Range:-40°C ~ + 105°C
 Soldering:+250°C, For 5S
 Contact resistance:20mΩ MAX
 Insulation resistance:500MΩ/DC500V

Order Information
 L-KLS2-EDKHM-5.08-XXP-X X

RoHS
 Terminal Block
 Pitch:5.08mm
 No.: of (02~24)Pole
 Color:
 1=Gray 2=Blue 3=Black
 4=Green 5=Orange 6=Red
 7=Transp 8=Yellow 9=White
 Screw:SC=Slot/Cross
 S-Slot Screw C-Cross Screw



| | | |
|-------------------|------------|----------------------------------|
| ANGLE TOLERANCE | PROJECTION | Description: |
| ±3° | | 5.08mm Pluggable terminal blocks |
| GENERAL TOLERANCE | UNITS | mm |
| x.x ±0.30 | SHEET SIZE | A4 |
| x.xx ±0.20 | Draw: | WuHao 2024-10-25 |
| x.xxx ±0.10 | Check: | Daniel 2024-10-25 |

KLS NingBo KLS ELECTRONIC CO.,L TD.