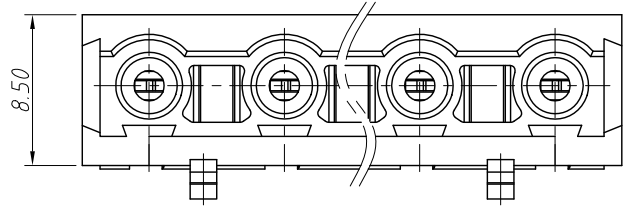
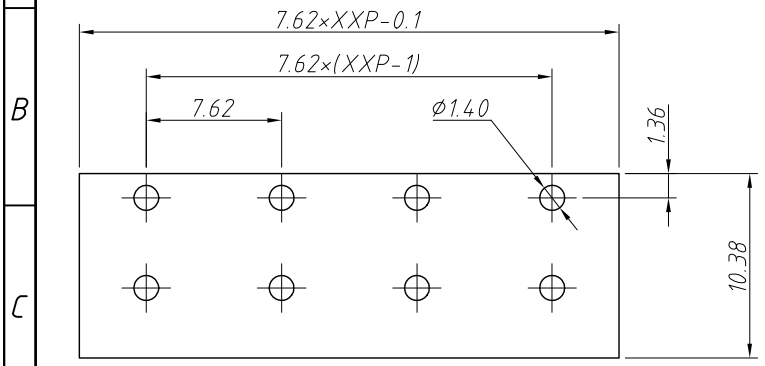


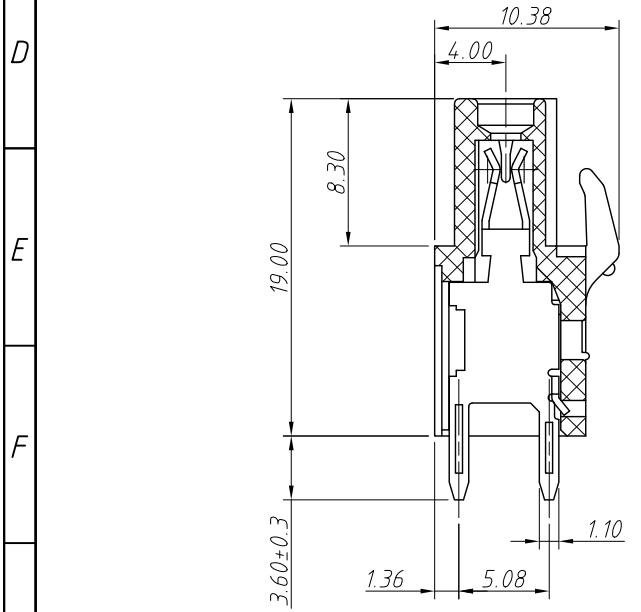
1
RoHS Compliance

7		8		
REV	SYM	Revision Record	Appr.	Date
V0	KLS02006	New Version Release	WuHao	2024-11-01

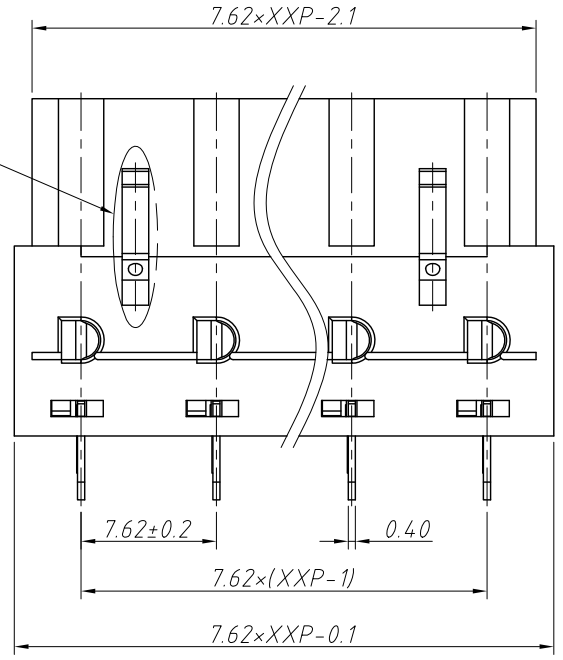


Electrical Characteristics	UL	IEC
Rated Voltage	300V	400V
Rated Current	15A	13.5A
Withstand Voltage	AC 2000V/1 min	---

Recommended PCB Layout



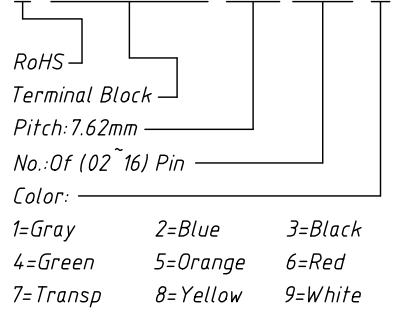
2P only has this card hook



Material and other:
 Housing: PA66, UL 94V-0
 Clamp: Copper Alloy, Sn Plated
 Temp. Range: -40°C ~ +105°C
 Soldering: +250°C For 5 Sec

Order Information

L-KLS2-EDKH-7.62-XXP-X



ANGLE TOLERANCE	PROJECTION	Description:	
±3°		Pitch 7.62mm Terminal Block	
GENERAL TOLERANCE	UNITS	mm	KLS P/N:
0~30 ±0.50	SHEET SIZE	A4	L-KLS2-EDKH-7.62-XXP-X
30~60 ±0.75	Draw:	WuHao	2024-11-01
60~90 ±1.00	Check:	Daniel	2024-11-01

