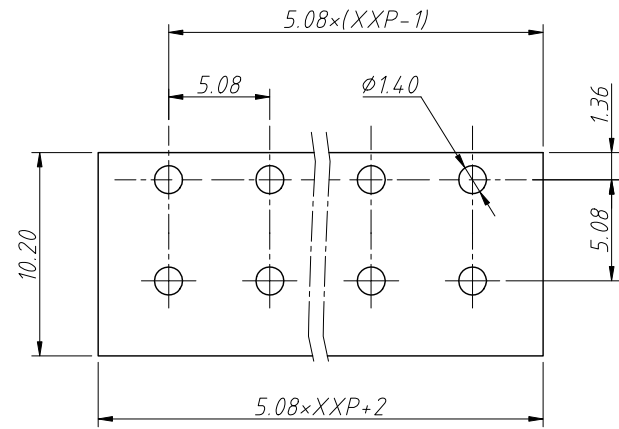
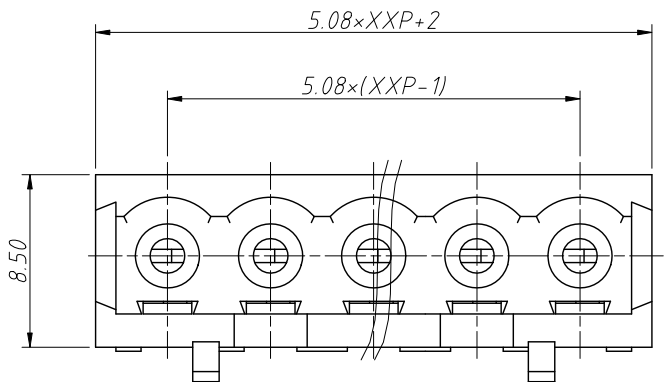


1 RoHS Compliance

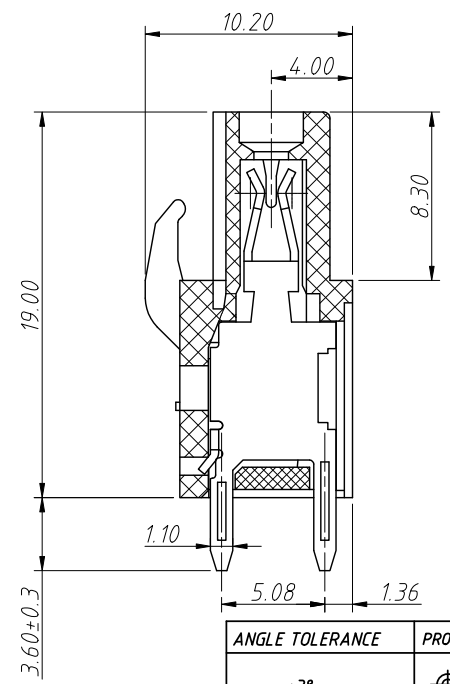
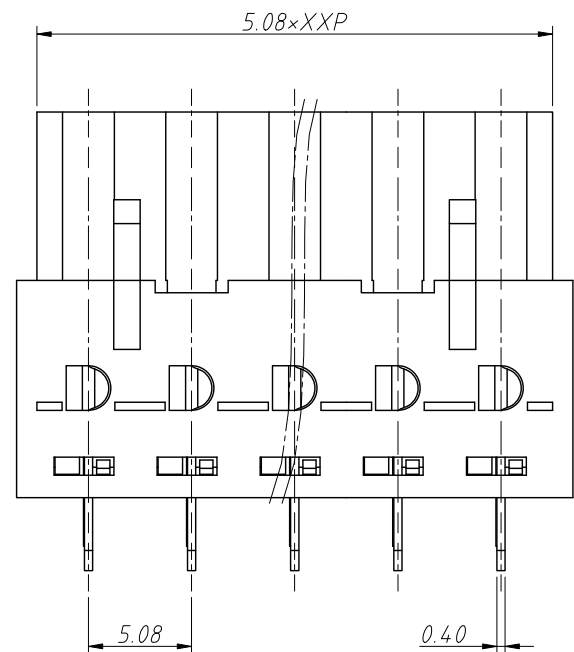
REV	SYM	Revision Record	Appr.	Date
V0	KLS02006	New Version Release	Jenny	2024-09-03

Electrical Characteristics	UL	IEC
Rated Voltage	300V	450V
Rated Current	15A	17.5A
Withstand Voltage	2000V / 1 min	---



Recommended PCB Layout

Material and other:
 Housing: PA66, UL94V-0
 Clamp: Phosphor bronze, Tin plated
 Contact resistance: 20mΩ
 Insulation resistance: 500MΩ/DC500V
 Temp. Range: -40°C ~ +105°C
 Soldering: +250°C for 5 sec Max



Order Information
 L-KLS2-EDKH-5.08-XXP-4
 RoHS Terminal Block
 Pitch: 5.08mm
 No.: Of (02~24) Pin
 Color:
 1=Gray 2=Blue 3=Black
 4=Green 5=Orange 6=Red
 7=Transp 8=Yellow 9=White

ANGLE TOLERANCE	PROJECTION	Description:
±3°		Pitch 5.08mm Terminal Block
GENERAL TOLERANCE	UNITS	mm
0~30	±0.50	KLS P/N:
30~60	±0.75	SHEET SIZE
60~90	±1.00	A4
	Draw:	Jenny
	Check:	Daniel
		2024-09-03
		2024-09-03

