

RoHS Compliance

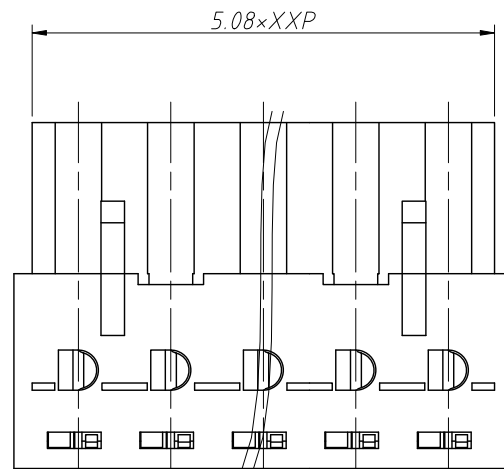
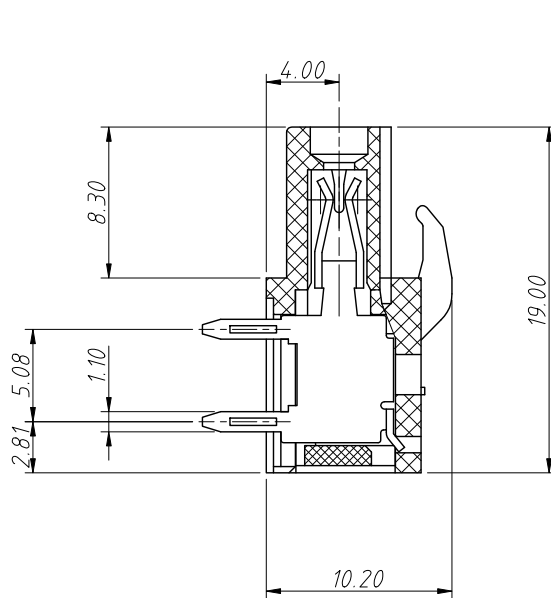
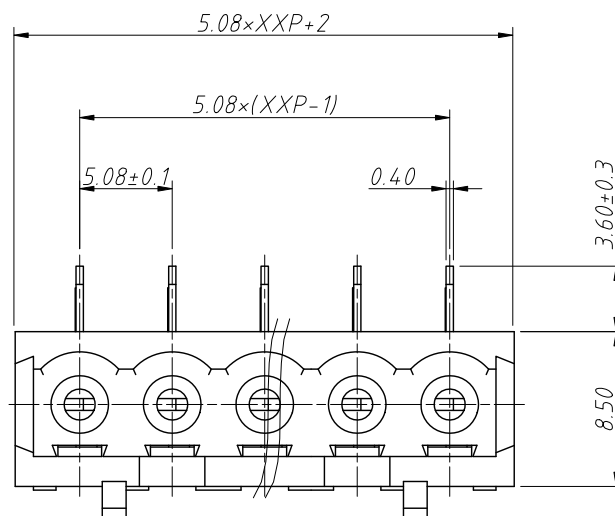
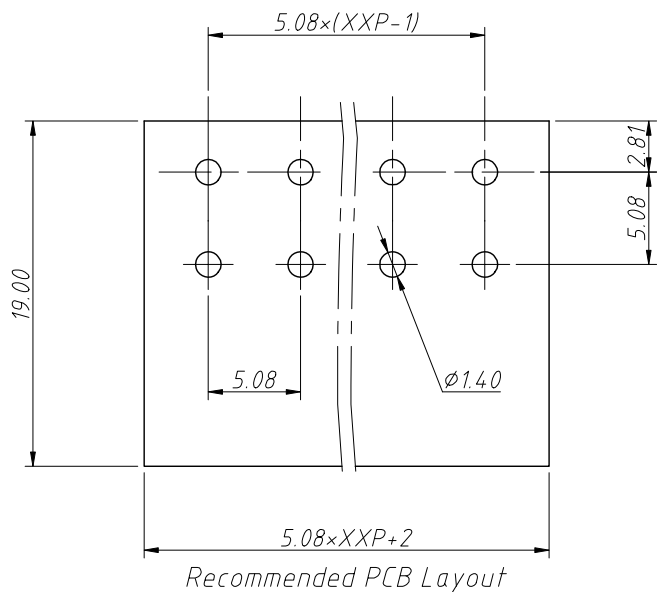
REV	SYM	Revision Record	Appr.	Date
V0	KLS02006	New Version Release	Jenny	2024-09-03

Electrical Characteristics	UL	IEC
Rated Voltage	300V	450V
Rated Current	15A	17.5A
Withstand Voltage	2000V / 1 min	---

Material and other:
 Housing:PA66, UL94V-0
 Clamp:Phosphor bronze,Tin plated
 Contact resistance:20mΩ
 Insulation resistance:500MΩ/DC500V
 Temp. Range:-40°C ~ +105°C
 Soldering Max:+250°C,for 5 Sec

Order Information
 L-KLS2-EDKR-5.08-XXP-4

RoHS
 Terminal Block
 Pitch:5.08mm
 No.:Of (02~24) Pin
 Color:
 1=Gray 2=Blue 3=Black
 4=Green 5=Orange 6=Red
 7=Transp 8=Yellow 9=White



ANGLE TOLERANCE	PROJECTION	Description:
±3°		Pitch 5.08mm Terminal Block
GENERAL TOLERANCE	UNITS	mm
0~30	±0.50	SHEET SIZE
30~60	±0.75	Draw:
60~90	±1.00	Check:
KLS P/N:		L-KLS2-EDKR-5.08-XXP-4
Draw:		Jenny
Check:		Daniel
Date:		2024-09-03

KLS NingBo KLS ELECTRONIC CO.,L TD.