

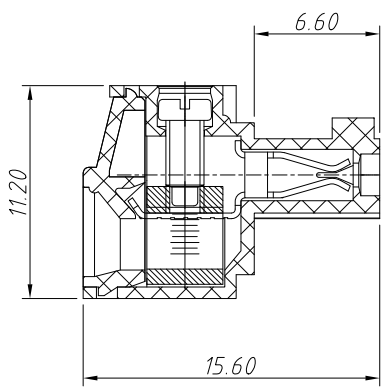
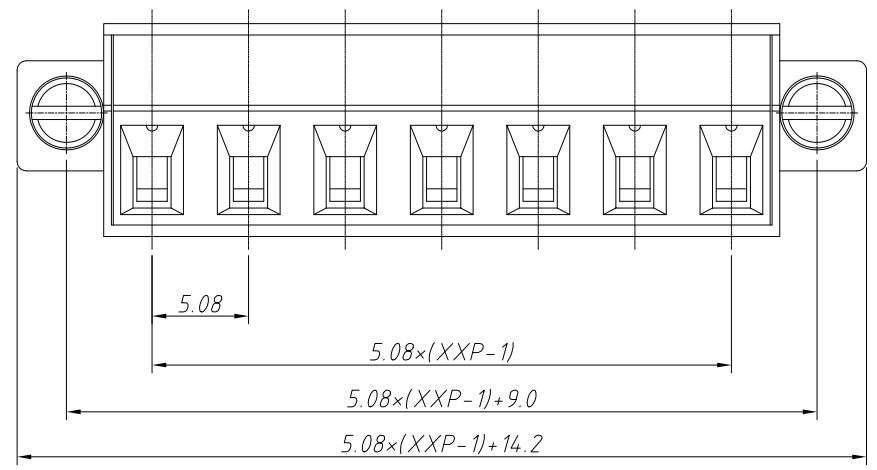
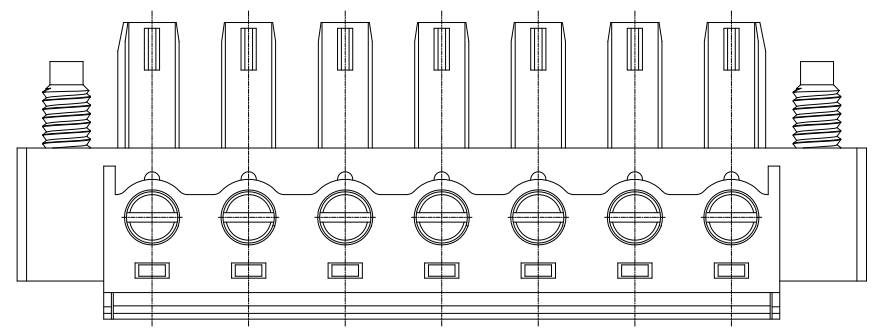
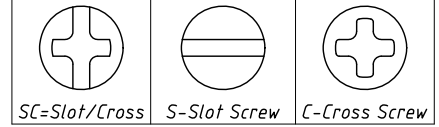
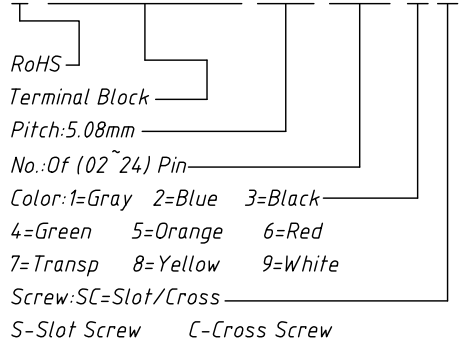
1
RoHS Compliance

6	7	8
REV	SYM	Revision Record
V0	KLS02006	New Version Release
		Appr.
		WuHao
		Date
		2024-11-01

Electrical Characteristics	UL	IEC
Rated Voltage	300V	250V
Rated Current	8A	10A
Withstand Voltage	AC2000V/1 min	---
Wire Range	28~16 AWG	1.0mm ²

Material and other:
 Housing:PA66, UL 94V-0
 Clamp:Phosphor Bronze,Ni Plated
 Cage:Brass,Ni Plated
 Screw/Torque:Steel,M2.0,Zn Plated/0.2N.m
 Contact resistance:20mΩ MAX
 Insulation resistance:500MΩ/DC500V
 Stripping Length:6~7mm
 Temp.Range:-40°C~+105°C
 Order Information

L-KLS2-EDKFFM-5.08-XXP-X X



ANGLE TOLERANCE	PROJECTION	Description:
±3°		Pitch 5.08mm Terminal Block
GENERAL TOLERANCE	UNITS	KLS P/N:
0~30 ±0.50	mm	L-KLS2-EDKFFM-5.08-XXP-XX
30~60 ±0.75	SHEET SIZE	
60~90 ±1.00	A4	
	Draw:	WuHao 2024-11-01
	Check:	Daniel 2024-11-01

