

Material
 Housing: PA66, UL94V-0
 Clamp: Phosphor bronze, Tin Plated
 Wire guard: Stainless steel

Electrical
 Rated voltage: 300V
 Rated current: 8A
 Contact Resistance: 20 mΩ
 Insulation resistance: 500MΩ/DC500V
 Withstand voltage: AC2000V / 1 min
 Wire Range: 28~16AWG 1.0mm²

Mechanical
 Temp. Range: -40 °C ~ +105 °C
 Strip length: 7~8 mm
 Torque: 0.4Nm(3.6 bin)

Order Information

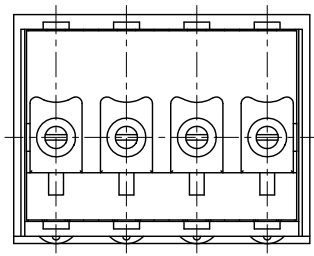
L-KLS2- EDGKD -3.50-XXP-4 00

RoHS
 Terminal Block
 Pitch
 No. of Pole
 Color: 4- Green
 Product Code: 00~99

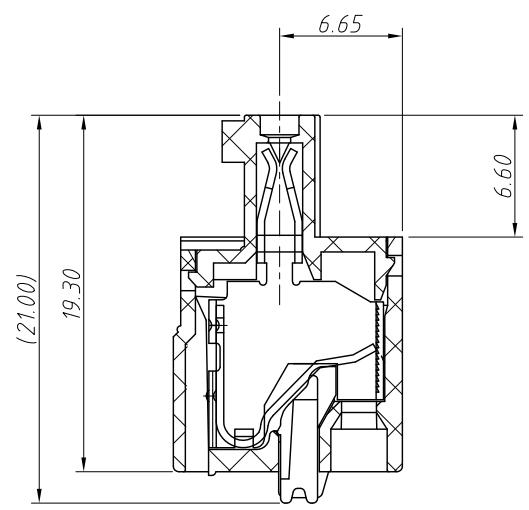
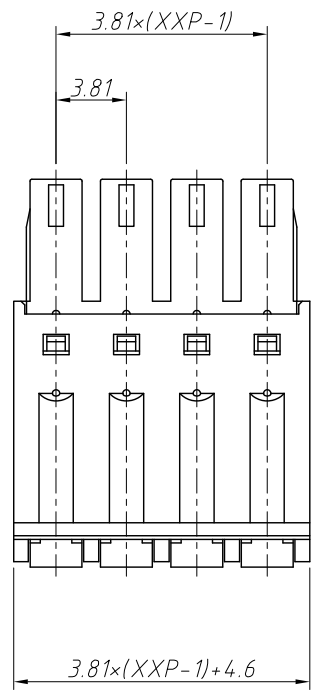
GENERAL TOLERANCE		ANGLE TOLERANCE		Description:	
X. ±0.60	.X ±0.38	X. ±5°	.X ±3°	Pluggable Terminal Block 3.50MM	
.XX ±0.25		.XX ±2°		KLS P/N:	KLS2-EDGKD-3.50-XXP-4-00
Draw by	2015-09-01	PROJECTION			NingBo KLS ELECTRONIC CO.,L TD.
Check by	2015-09-15	UNITS	mm		
SCALE		SHEET SIZE	A4		

1
RoHS Compliance

6		7		8	
REV	SYM	Revision Record		Appr.	Date
V0	KLS02006	New Version Release		WuHao	2024-10-31



Electrical Characteristics	UL	IEC
Rated Voltage	300V	250V
Rated Current	8A	7A
Withstand Voltage	AC2000V/1 min	---
Wire Range	28~16 AWG	1.5 mm ²

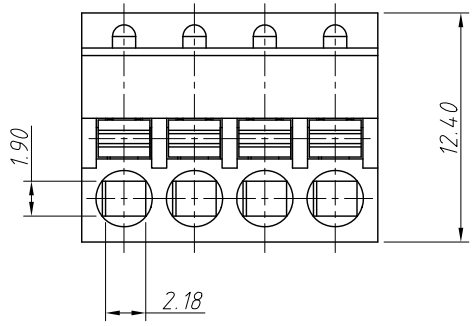


Material and other:
 Housing: PA66, UL 94V-0
 Clamp: Copper Alloy, Sn Plated
 Wire Guard: Stainless Steel
 Contact Resistance: 20mΩ MAX
 Insulation Resistance: 500MΩ/DC500V
 Strip Length: 7~8mm
 Temp. Range: -40°C ~ +105°C

Order Information
L-KLS2-EDGKD-3.81-XXP-X

RoHS
 Terminal Block
 Pitch: 3.81mm
 No. of (02~24) Pin
 Color:

1=Gray 2=Blue 3=Black
 4=Green 5=Orange 6=Red
 7=Transp 8=Yellow 9=White



ANGLE TOLERANCE	PROJECTION	Description:			
±3°		Pitch 3.81mm Terminal Block			
GENERAL TOLERANCE	UNITS	mm	KLS P/N:		
0~30	±0.50	SHEET SIZE	A4	L-KLS2-EDGKD-3.81-XXP-X	
30~60	±0.75	Draw:	WuHao	2024-10-31	
60~90	±1.00	Check:	Daniel	2024-10-31	

NingBo KLS ELECTRONIC CO.,L TD.