

1
RoHS Compliance

6		7		8	
REV	SYM	Revision Record		Appr.	Date
V0	KLS02006	New Version Release		WuHao	2024-11-01

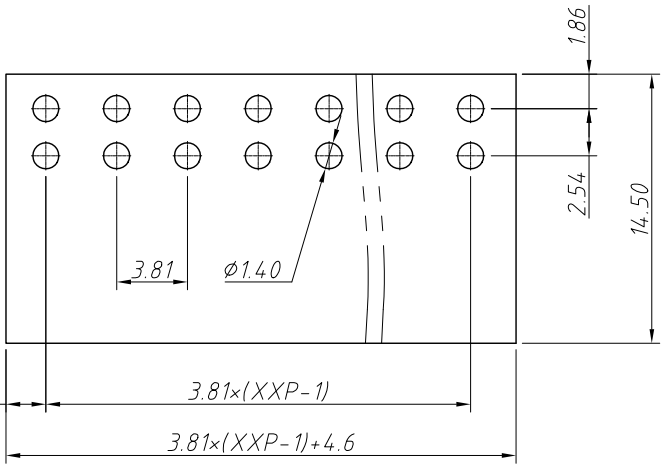
Electrical Characteristics	UL	IEC
Rated Voltage	300V	250V
Rated Current	8A	10A
Withstand Voltage	AC 2000V/1 min	---

Material and other:
 Housing:PA66, UL 94V-0
 Pin Header:Phosphor Bronze, Tin Plated
 Contact resistance:20mΩ MAX
 Insulation resistance:500MΩ/DC500V
 Temp. Range:-40°C ~ +105°C
 Soldering:+250°C For 5 Sec

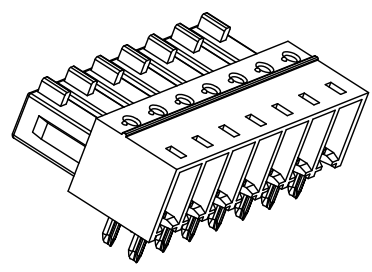
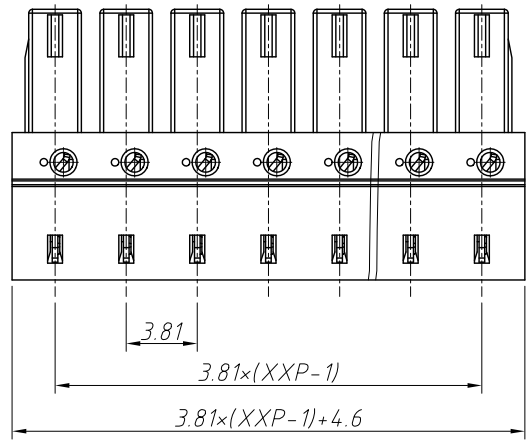
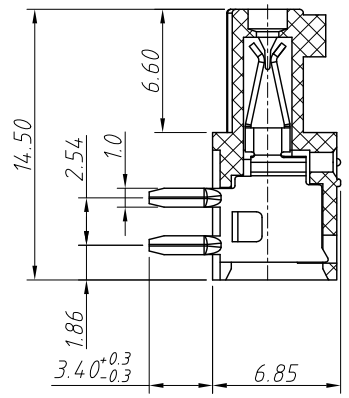
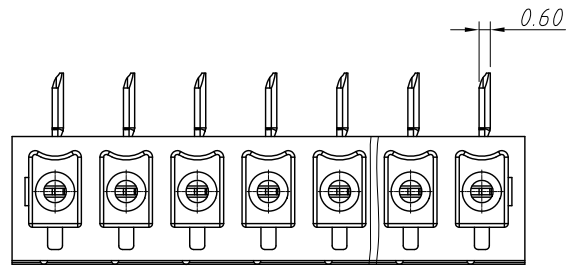
Order Information
 L-KLS2-EDKR-3.81-XXP-X

RoHS
 Terminal Block
 Pitch:3.81mm
 No.:Of (02~24) Pin
 Color:
 1=Gray 2=Blue 3=Black
 4=Green 5=Orange 6=Red
 7=Transp 8=Yellow 9=White

A
B
C
D
E
F
G
H



Recommended PCB Layout



ANGLE TOLERANCE	PROJECTION	Description:			
±3°		Pitch 3.81mm Terminal Block			
GENERAL TOLERANCE	UNITS	mm	KLS P/N:	L-KLS2-EDKR-3.81-XXP-X	
0~30	±0.50	SHEET SIZE	A4		
30~60	±0.75	Draw:	WuHao	2024-11-01	
60~90	±1.00	Check:	Daniel	2024-11-01	

NingBo KLS ELECTRONIC CO.,L TD.

1 2 3 4 5 6 7 8