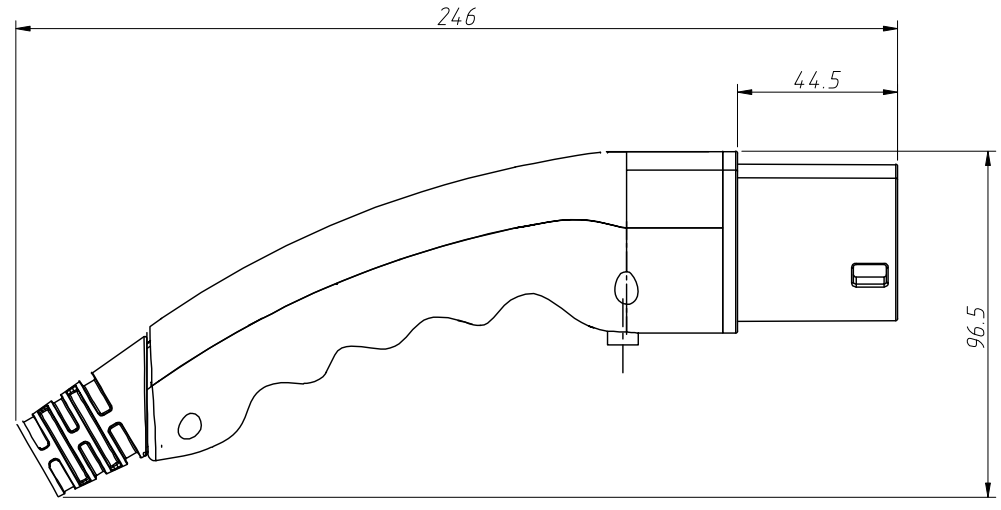
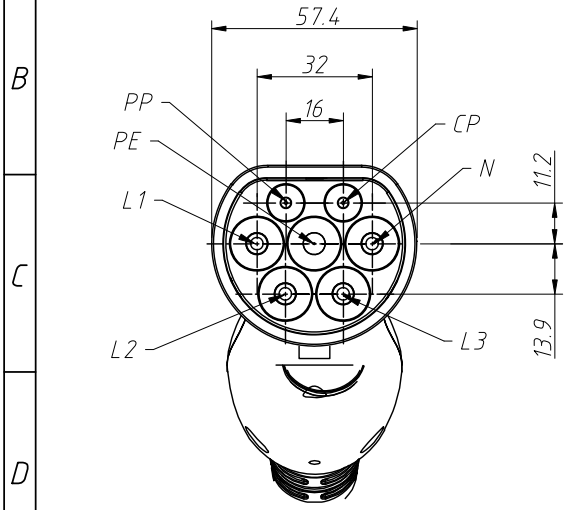


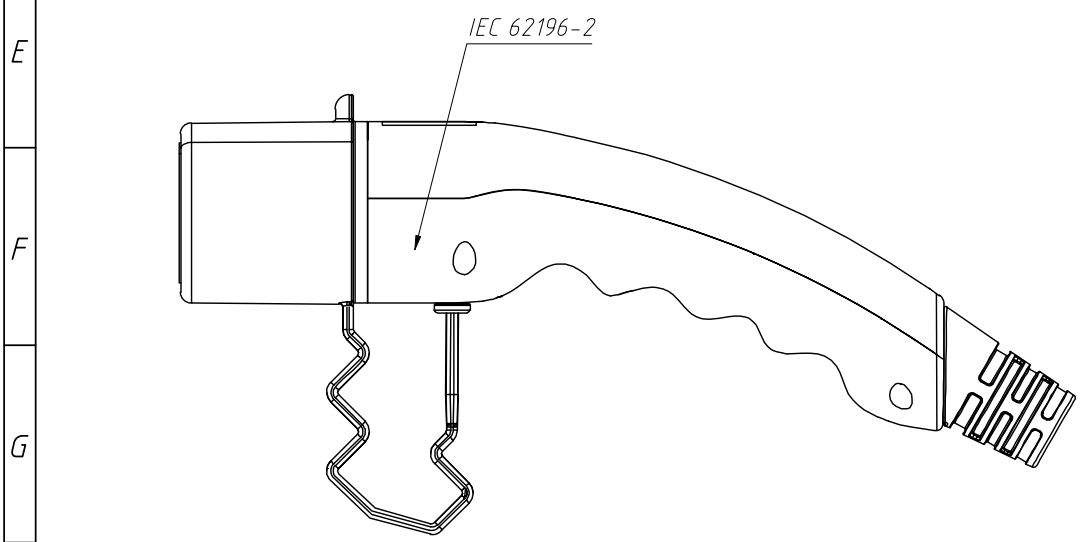
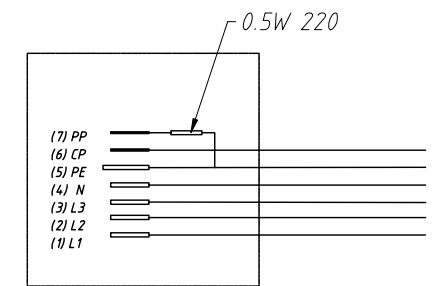
1
RoHS Compliance

REV	SYM	Revision Record	Appr.	Date
V0	KLS01466	New Version Release	Song	2024-01-19



Cable Specification

Function	32A 380V~450V AC
L1(1)	6mm ² Brown
L2(2)	6mm ² Black
L3(3)	6mm ² Grey
N(4)	6mm ² Blue
PE(5)	6mm ² Olivine
CP(6)	0.5mm ² Black
PP(7)	0.5mm ² Grey



Notes:
 1.Material:
 Housing: Thermo Plastic
 Silicon Rubber, UL 94V-0
 Contact: Copper Alloy

 2.Electric:
 Rated Current: 32A 3P
 Rated Voltage: 380V~450V
 Resistance Voltage: 2000V
 Contact Resistance: 0.5 mΩ Max
 Insulator Resistance: 1000 MΩ Min
 Life: 10000 Times Min
 Water Proof rating: IP54
 Operating Temperature: -30°C ~ +50°C

ANGLE TOLERANCE	PROJECTION	Description:	EV Charging Connector	
±3°			L-KLS15-IEC01-D32	
GENERAL TOLERANCE	UNITS	mm	KLS P/N:	
x.x ±0.30	SHEET SIZE	A4		
x.xx ±0.20	Draw:	Song	2024-01-19	
x.xxx ±0.10	Check:	Daniel	2024-01-19	

NingBo KLS ELECTRONIC CO.,L TD.