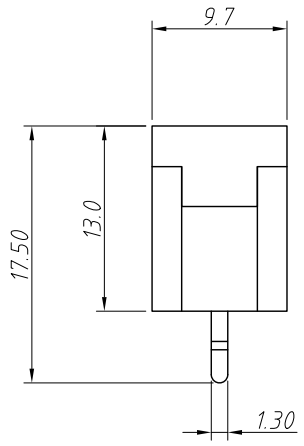
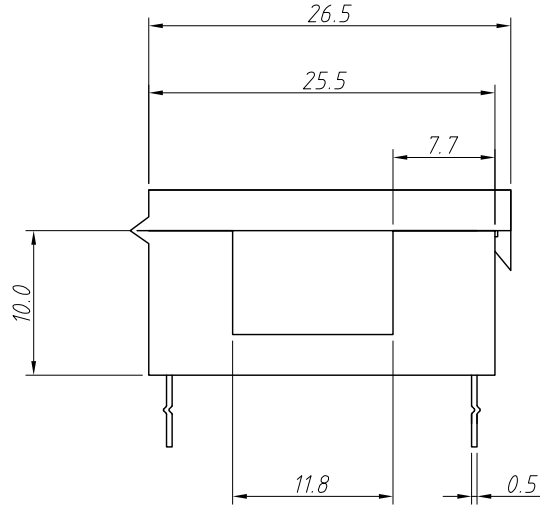
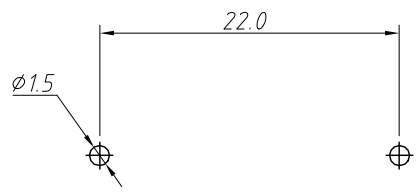
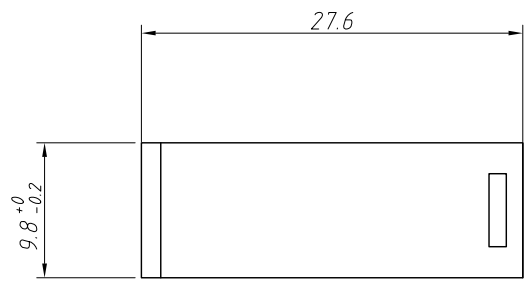


1  
RoHS Compliance

6		7		8	
REV	SYM	Revision Record		Appr.	Date
V0	KLS05004	New Version Release		WuHao	2024-11-22



Notes:  
 1.Material:  
 Insulator:Nylon  
 Contact:Brass,Tin Plated  
  
 2.Electric:  
 Rated Current:5A  
 Rated Voltage:250VAC  
 Contact Resistance:5mΩ MAX  
 Insulation Resistance:500MΩ Min  
 Withstanding Voltage:AC 1000V (50HZ) 1 minute



Mounting Holes

ANGLE TOLERANCE	PROJECTION	Description:			
±3°		PCB Fuse Holder For Fuse 5.2×20mm Pitch 22.0mm			
GENERAL TOLERANCE	UNITS	mm	KLS P/N:		
x.x ±0.30	SHEET SIZE	A4	L-KLS5-1097		
x.xx ±0.20	Draw:	WuHao	2024-11-22	NingBo KLS ELECTRONIC CO.,L.TD.	
x.xxx ±0.10	Check:	Daniel	2024-11-22		