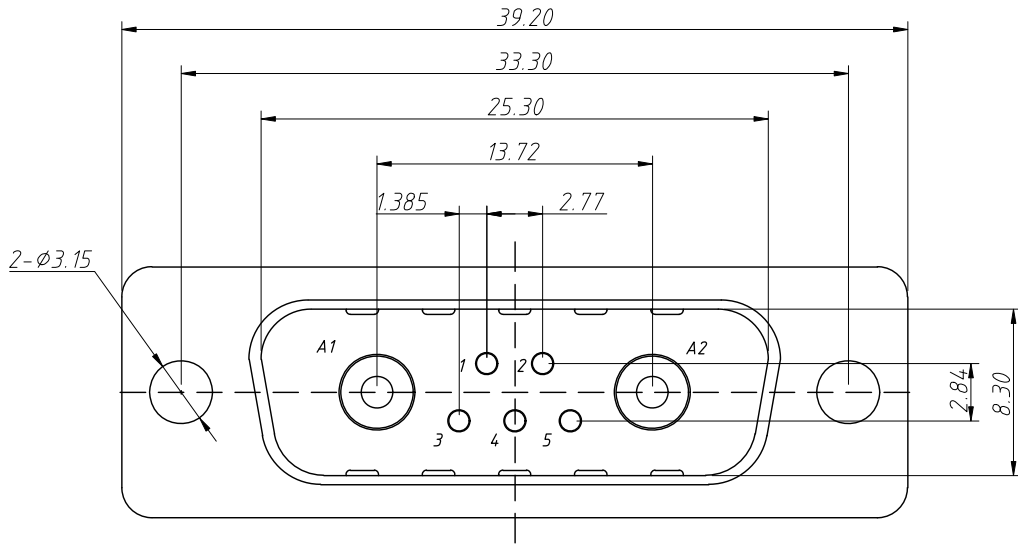


1 RoHS Compliance

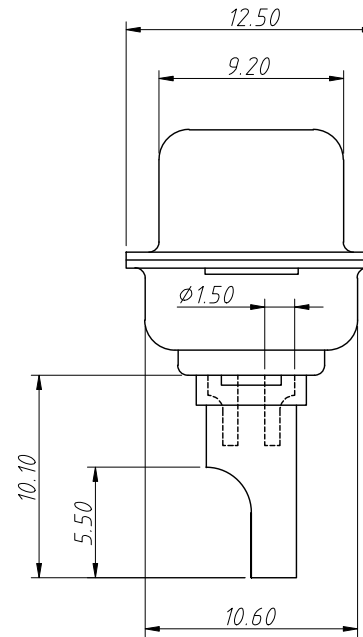
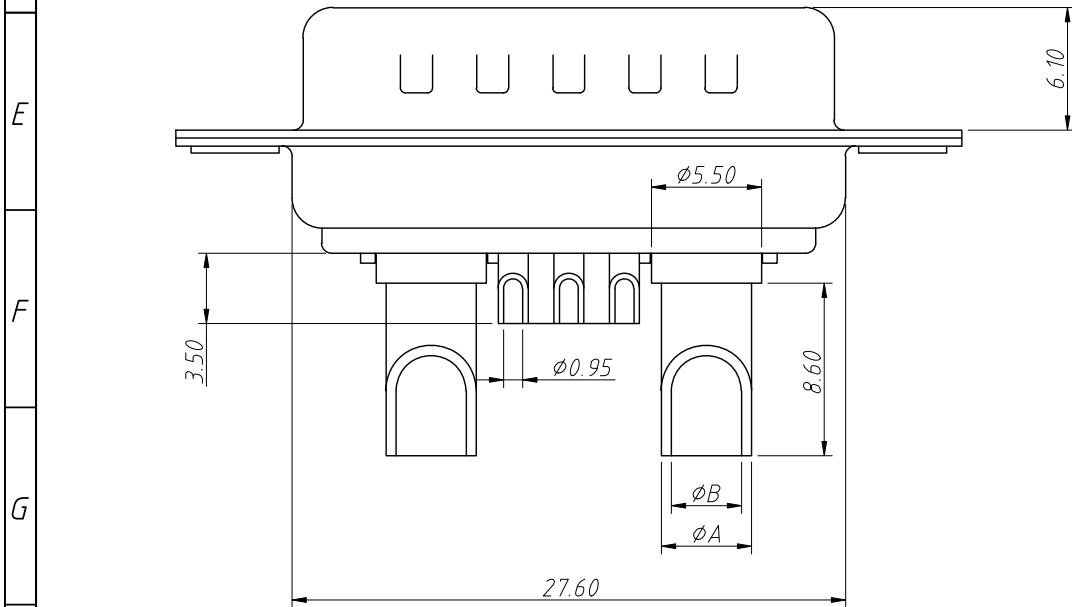
REV	SYM	Revision Record	Appr.	Date
V0	KLS01545	New Version Release	Song	2024-08-16



Rated Current	φA	φB	Applicable wire diameter
10A	φ2.60	φ1.80	14~16AWG
20A	φ3.60	φ2.80	10~12AWG
30A	φ4.50	φ3.50	8~10AWG
40A	φ5.40	φ4.60	6~8AWG

Material:
 Rubber Core:PBT,UL 94 V-0,Black
 Contact: Copper Alloy,Gold-Plated
 Shell:SPCC,Nickel Plating On The Front Shell
 And Tin Plating On The Rear Shell

Electric:
 Rated Voltage:500V AC MIN
 Rated Current:5A(Small Pin)
 10A 20A 30A 40A(Big Pin)
 Contact Resistance:30mΩ Max
 Insulation Resistance:3000MΩ Min. at 500V DC
 Dielectric Withstanding Voltage:
 1000V AC RMS for 1Minute
 Temperature:-55°C~+105°C
 Salt Spray time:48H



Order Information
L-KLS1-BIG05-7W2-M-XXA-XU

RoHS
 PCB Type
 No. Of Pin:7W2
 M-Male
 Current Rating:10A 20A 30A 40A
 Contact Plating Gold 1u"~30u"

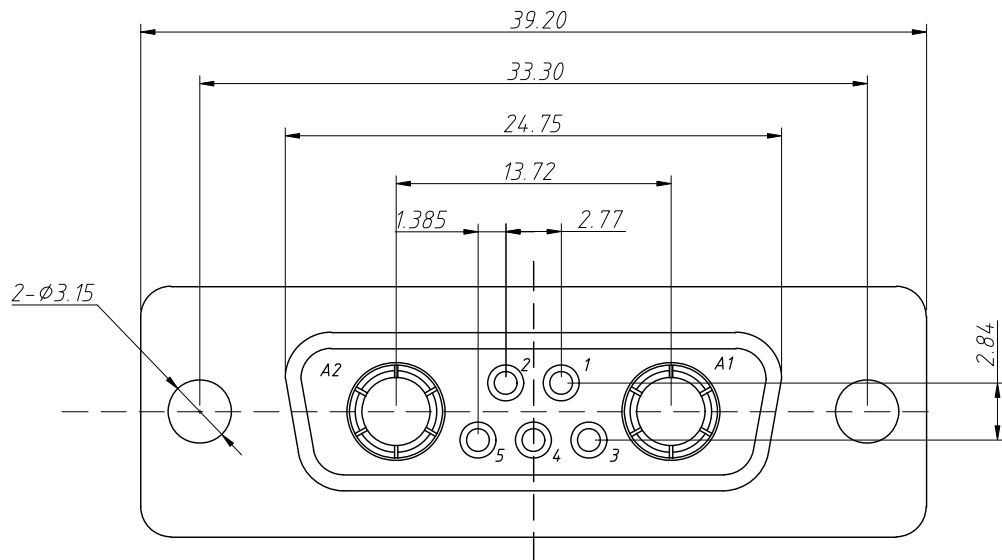
ANGLE TOLERANCE	PROJECTION	Description:	
±3°		7W2 High Current D-SUB Solder,Male	
GENERAL TOLERANCE	UNITS	mm	KLS P/N:
x. ±0.5	SHEET SIZE	A4	L-KLS1-BIG05-7W2-M-XXA-XU
.x ±0.3	Draw:	Song	2024-08-16
.xx ±0.2	Check:	Daniel	2024-08-16



NingBo KLS ELECTRONIC CO.,L TD.

1 RoHS Compliance

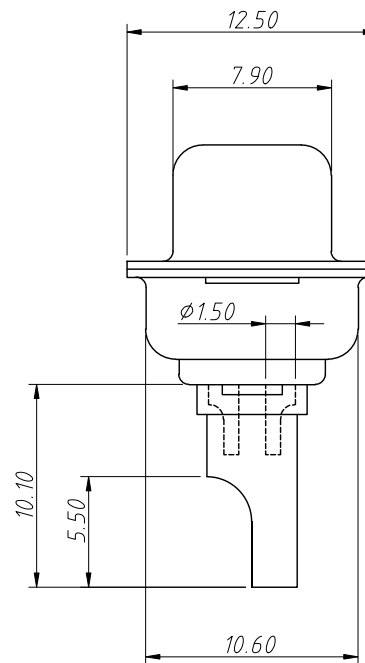
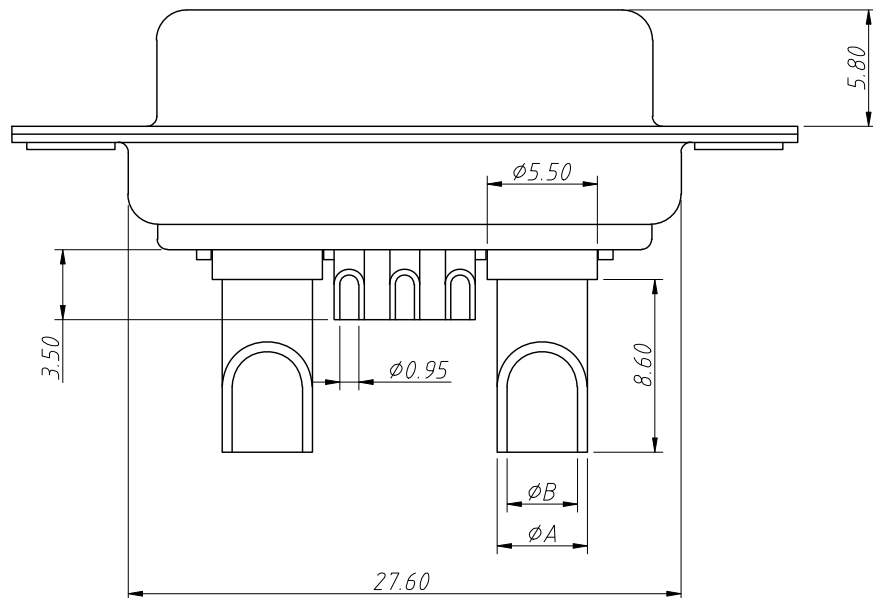
REV	SYM	Revision Record	Appr.	Date
V0	KLS01545	New Version Release	Song	2024-08-16



Rated Current	φA	φB	Applicable wire diameter
10A	φ2.60	φ1.80	14~16AWG
20A	φ3.60	φ2.80	10~12AWG
30A	φ4.50	φ3.50	8~10AWG
40A	φ5.40	φ4.60	6~8AWG

Material:
 Rubber Core:PBT,UL 94 V-0,Black
 Contact: Copper Alloy,Gold-Plated
 Shell:SPCC,Nickel Plating On The Front Shell
 And Tin Plating On The Rear Shell

Electric:
 Rated Voltage:500V AC MIN
 Rated Current:10A 20A 30A 40A
 Contact Resistance:30mΩ Max
 Insulation Resistance:3000MΩ Min. at 500V DC
 Dielectric Withstanding Voltage:
 1000V AC RMS for 1Minute
 Temperature:-55°C~+105°C
 Salt Spray time:48H



Order Information
 L-KLS1-BIG05-7W2-F-XXA-XU
 RoHS
 PCB Type
 No.Of Pin:7W2
 F-Female
 Current Rating:10A 20A 30A 40A
 Contact Plating Gold 1u"~30u"

ANGLE TOLERANCE	PROJECTION	Description:
±3°		7W2 High Current D-SUB Solder,Female
GENERAL TOLERANCE	UNITS	mm
x. ±0.5	SHEET SIZE	A4
.x ±0.3	Draw:	Song 2024-08-16
.xx ±0.2	Check:	Daniel 2024-08-16



NingBo KLS ELECTRONIC CO.,L TD.