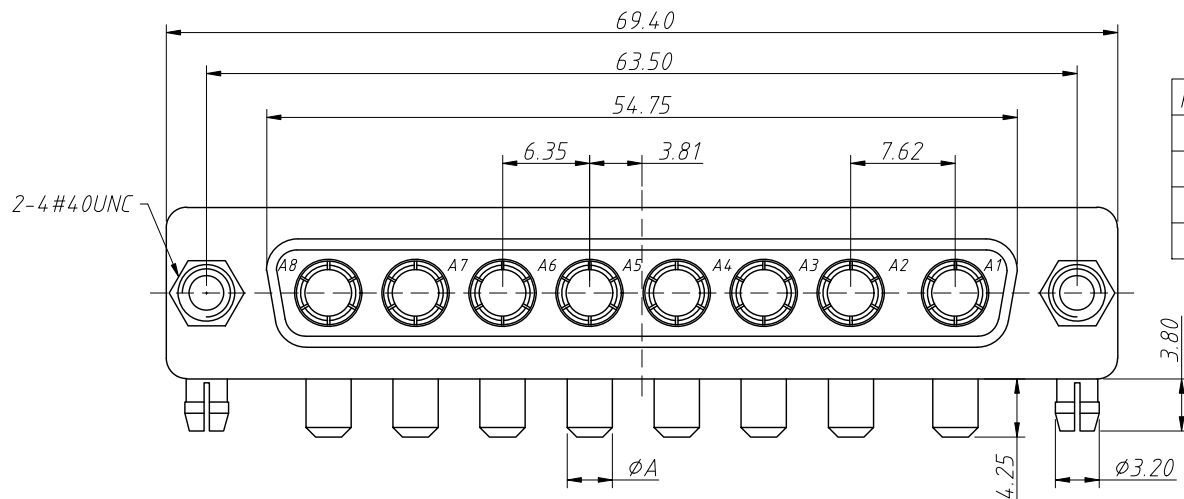


RoHS Compliance

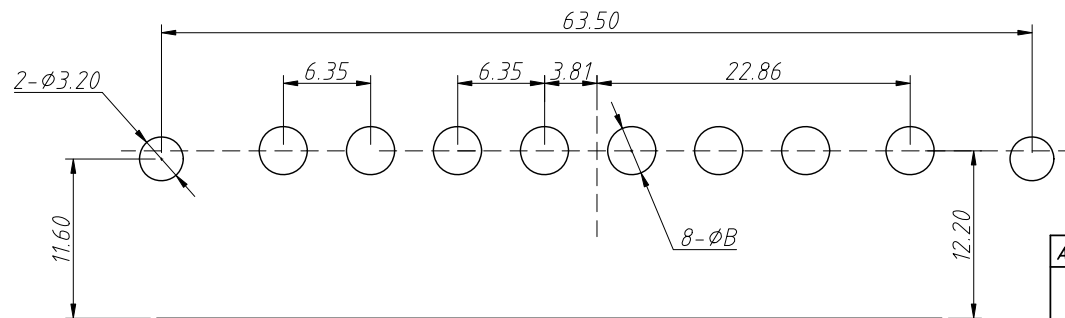
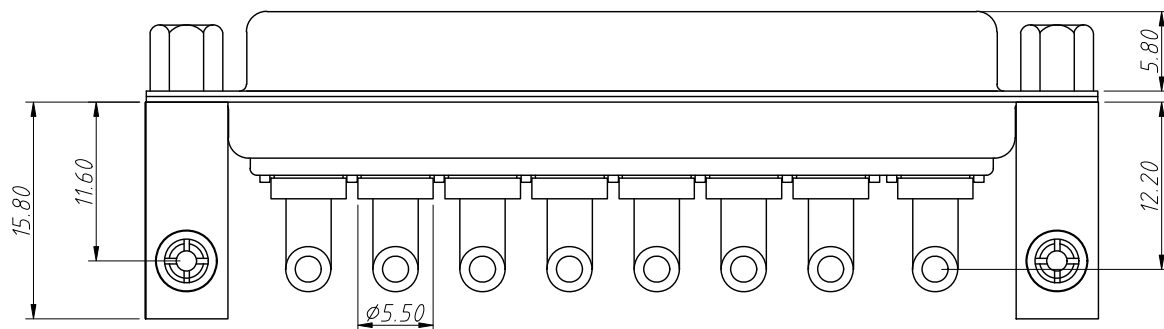
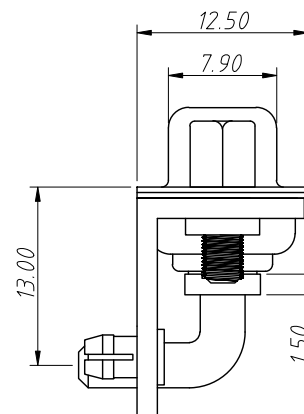
REV	SYM	Revision Record	Appr.	Date
V0	KLS01545	New Version Release	Song	2024-08-30



Rated Current	φA	PCB φB
10A	φ1.80	φ2.00
20A	φ2.80	φ3.00
30A	φ3.30	φ3.50
40A	φ3.80	φ4.00

Material:
 Rubber Core:PBT,Rated UL 94V-0
 Contact Point: Copper Alloy,
 Gold-Plated 1u"~30u"
 Shell:SPCC,Nickel Plating On The Front Shell
 And Tin Plating On The Rear Shell
 Support: SPCC, Nickel Plated
 Harpoon: Copper Alloy, Tin Plated
 Rivets: Copper Alloy, Nickel Plated
 Screw: Ferro Alloy, Nickel Plated

Electric:
 Rated Volts:500V AC Min
 Rated Current:10A 20A 30A 40A
 Contact Resistance:30mΩ Max
 Insulation Resistance:3000MΩMin. at 500V DC
 Dielectric Withstanding Voltage:
 1000V AC RMS for 1Minute
 Temperature:-55℃~+105℃
 Salt Spray time:48H



Recommended PCB Layout
 Tolerance:±0.05mm

Order Information

L-KLS1-BIG06C-8W8-F-40A-1U

RoHS
 PCB Type
 No.Of Pin:8W8
 M-Male F-Female
 Current Rating:
 10A 20A 30A 40A
 Contact Plating Gold:(1u"~50u")
 1U=1u"

ANGLE TOLERANCE	PROJECTION	Description:	8W8 High Current D-SUB Solder Female	
±3°				
GENERAL TOLERANCE	UNITS	mm	KLS P/N:	L-KLS1-BIG06C-8W8-F-XXA-XU
x. ±0.5	SHEET SIZE	A4		
.x ±0.3	Draw:	Song	2024-08-30	NingBo KLS ELECTRONIC CO.,L TD.
.xx ±0.2	Check:	Daniel	2024-08-30	