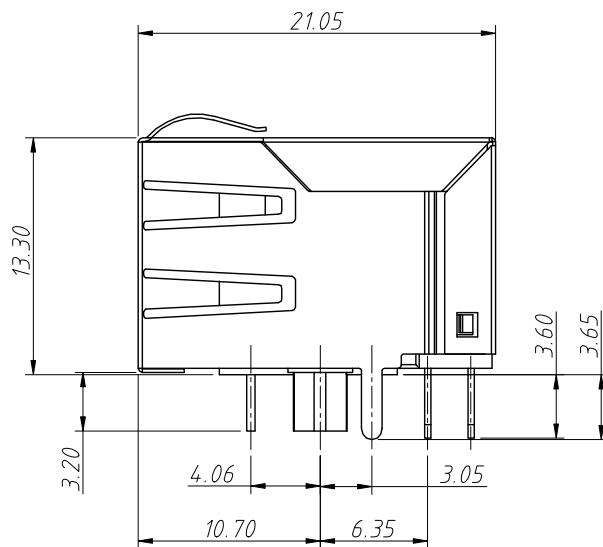
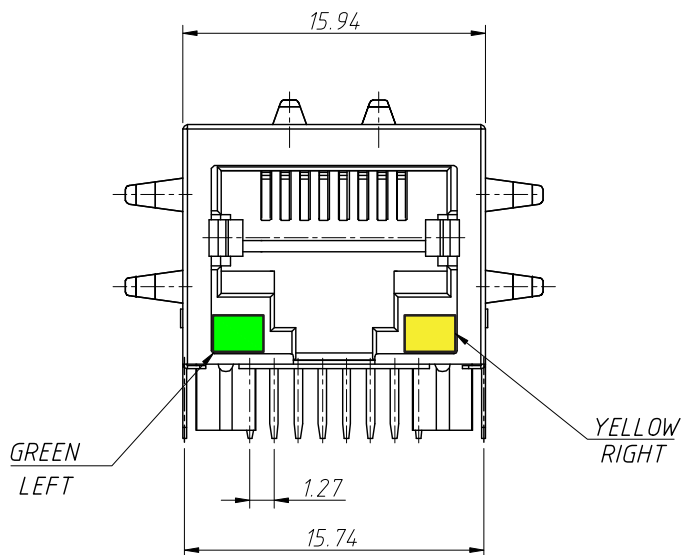


1 RoHS Compliance

7		8		
REV	SYM	Revision Record	Appr.	Date
V0	KLS12054	New Version Release	Song	2024-09-04



Notes:

- 1.Housing Material:PBT Black
- 2.Contacts:Phos Bronze,T=0.35mm,plated with 6u' gold in contact Area
- 3.Operating Temperature:-40°C~+85°C

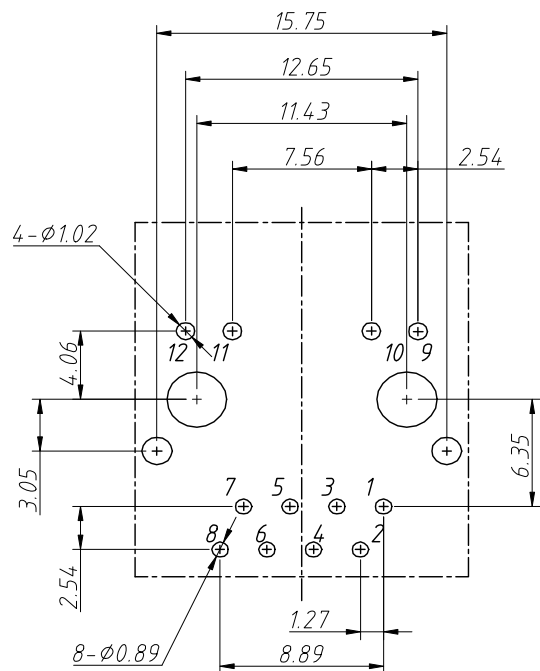
Order Information

L-KLS12-TL058N-1X1-G/Y-03

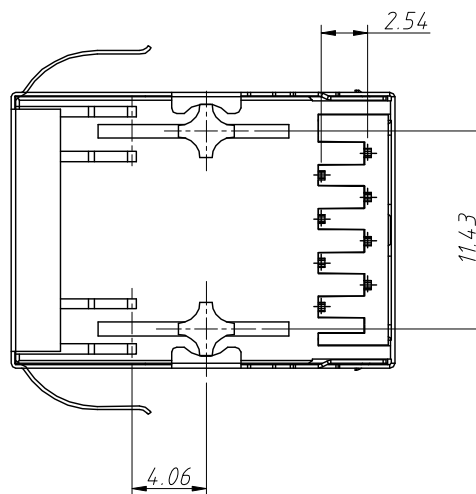
RoHS

LED Code:
G/Y-Green/Yellow
Y/G-Yellow/Green

Plating Code:
01-Fu" Gold Plating 02-3u"Gold Plating
03-6u"Gold Plating 04-15u"Gold Plating
05-30u"Gold Plating



Recommended PCB Layout
Tolerance:±0.05mm

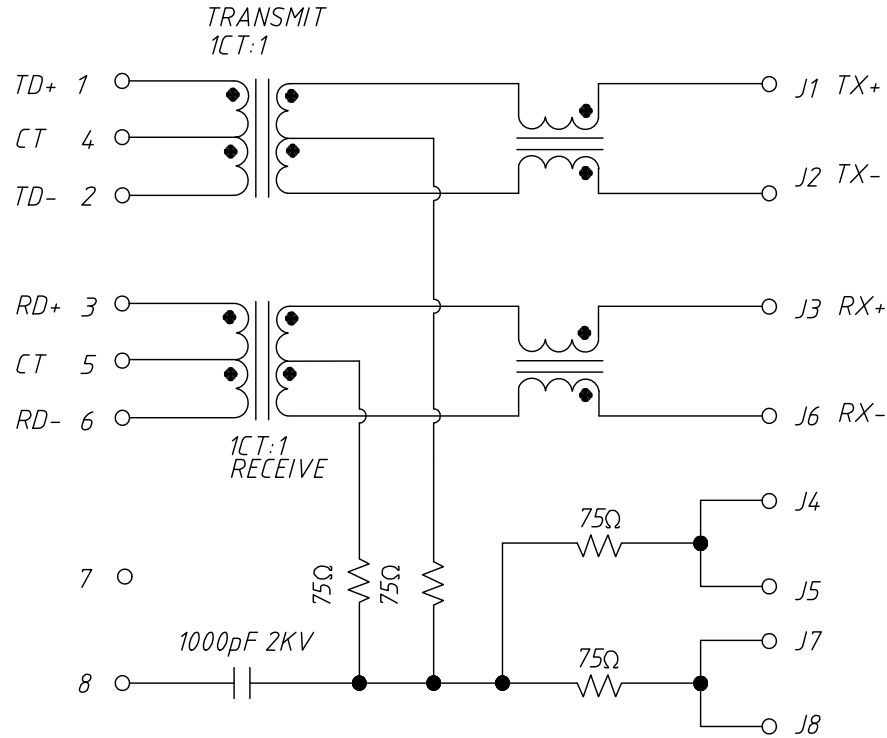


ANGLE TOLERANCE	PROJECTION	Description:		
±3°		1X1 TAB-DOWN RJ45 100BASE		
GENERAL TOLERANCE	UNITS	mm	KLS P/N:	L-KLS12-TL058N-1X1-G/Y-03
.x ±0.30	SHEET SIZE	A4	1 OF 2	NingBo KLS ELECTRONIC CO.,LTD.
.xx ±0.20	Draw:	Song	2024-09-04	
.xxx ±0.10	Check:	Daniel	2024-09-04	

1 RoHS Compliance

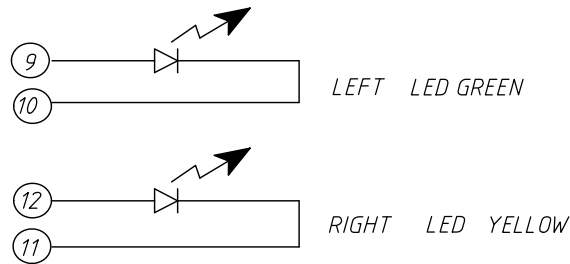
6	7	8
REV	SYM	Revision Record
V0	KLS12054	New Version Release
		Appr. Song
		Date 2024-09-04

PCB CONNECTIONS



RJ45 CONNECTIONS

Electrical:
 Insertion Loss: 1-100MHZ -1.0dB Max
 Return Loss: -16.0dB Min 1-30MHZ
 -14.0dB Min 30-60MHZ
 -10.0dB Min 60-80MHZ
 Cross Talk: -40.0dB Min 1-30MHZ
 -35.0dB Min 30-60MHZ
 -30.0dB Min 60-80MHZ
 CMR: -35dB Min 1M-100MHZ
 Hi-Pot: 1500V AC 6S 1mA
 Turn Ratio: 1CT:1CT±3%
 OCL: 350uH MIN @ 100KHZ 100mV 8mA DC



ANGLE TOLERANCE	PROJECTION	Description:
±3°		1X1 TAB-DOWN RJ45 100BASE
GENERAL TOLERANCE	UNITS	mm
.x ±0.30	SHEET SIZE	A4
.xx ±0.20	Draw:	Song
.xxx ±0.10	Check:	Daniel
		2024-09-04
		2024-09-04
		L-KLS12-TL058N-1X1-G/Y-03
		NingBo KLS ELECTRONIC CO.,L TD.