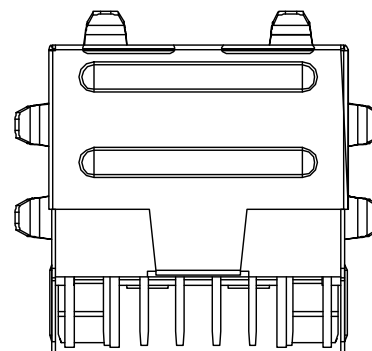
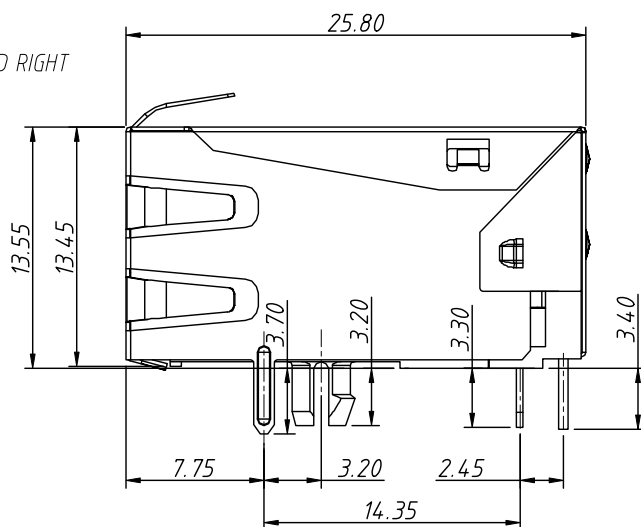
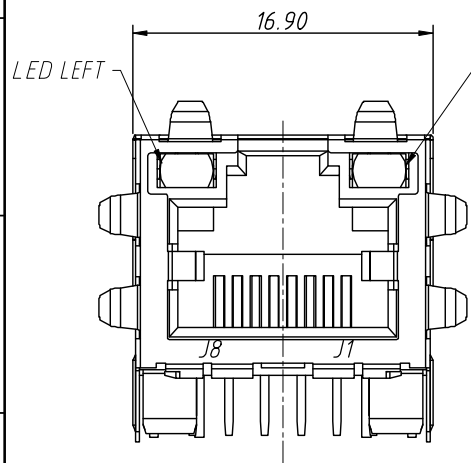


1 RoHS Compliance

REV	SYM	Revision Record	Appr.	Date
V0	KLS12054	New Version Release	Song	2024-10-09



Order Information

L-KLS12-TL 161-1x1-GO/Y-03

RoHS

LED Code:(LED L/LED R)

GY/Y=Green-Yellow/Yellow

YG/Y=Yellow-Green/Yellow

GY/G=Green-Yellow/Green

YG/G=Yellow-Green/Green

GO/Y=Green-Orange/Yellow

OG/Y=Orange-Green/Yellow

GO/G=Green-Orange/Green

OG/G=Orange-Green/Green

Plating Code:

01-Fu" Gold Plating 02-3u"Gold Plating

03-6u"Gold Plating 04-15u"Gold Plating

05-30u"Gold Plating

Material:

Housing:PA66,UL 94 V-0,Black

Terminals Bracket:PBT,UL 94 V-0,Black.

Shield:C2680,T=0.20mm,

Nickel Plating On All Area

Terminal:Phosphor Bronze C5210,T=0.35mm,

6u"Gold Plating On Contact Area

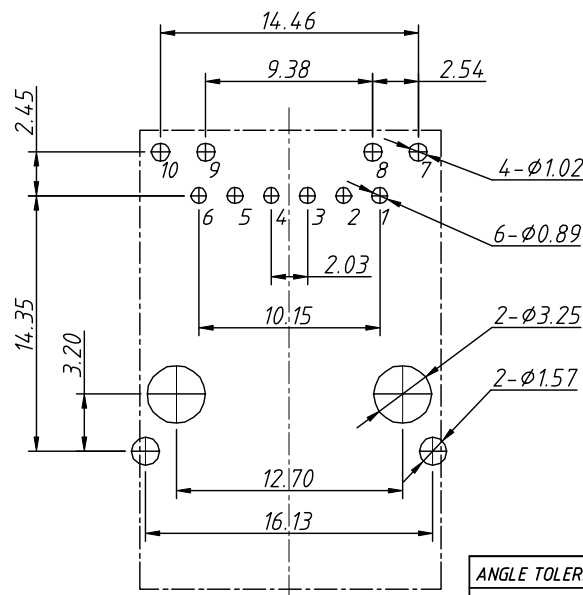
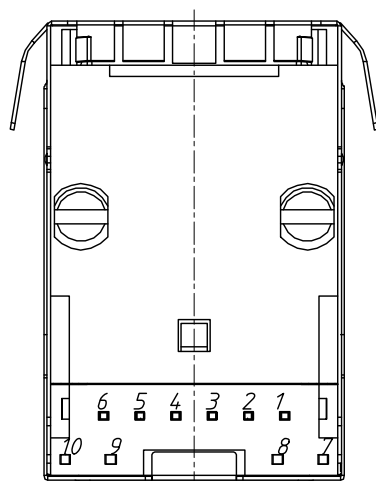
Mechanical:

Durability:750 Cycles Min

Mating Force:23N Max

Operating Temperature:-40°C ~ +85°C

Storage Temperature:-40°C ~ +85°C



Recommended PCB Layout
Tolerance:±0.05mm

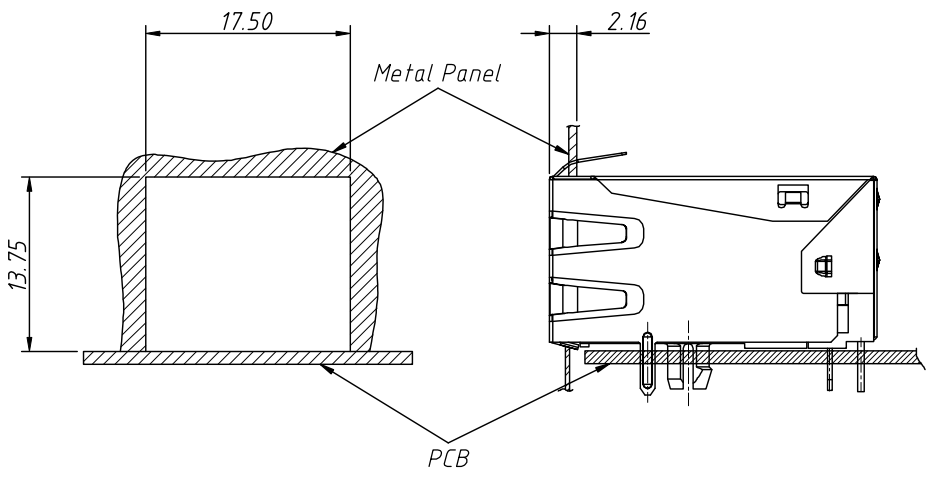
ANGLE TOLERANCE	PROJECTION	Description:	TAB-UP 1X1 10/100BASE	
±3°				
GENERAL TOLERANCE	UNITS	mm	KLS P/N:	L-KLS12-TL 161-1x1-X/X-XX
.x ±0.30	SHEET SIZE	A4	1 OF 4	
.xx ±0.25	Draw:	Song	2024-10-09	
.xxx ±0.10	Check:	Daniel	2024-10-09	

NingBo KLS ELECTRONIC CO.,L TD.

1
RoHS Compliance

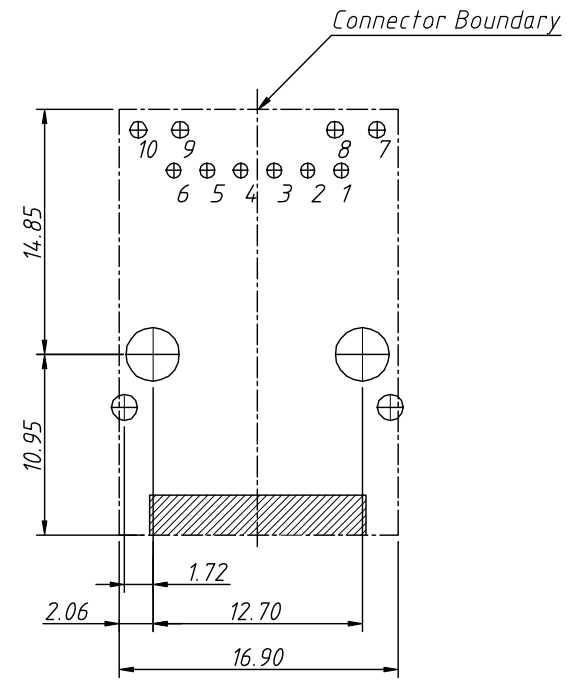
6	7	8
REV	SYM	Revision Record
V0	KLS12054	New Version Release
		Appr. Song
		Date 2024-10-09

RECOMMENDED PANEL CUTOUT(REFERENCE ONLY):



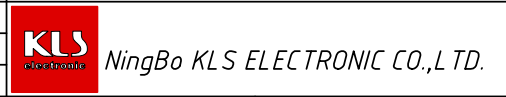
UNIT:MM / INCH
TOLERANCES:±0.10 /0.004
REFERENCE ONLY

KEEP-OUT AREA(COMPONENT SIDE VIEW):



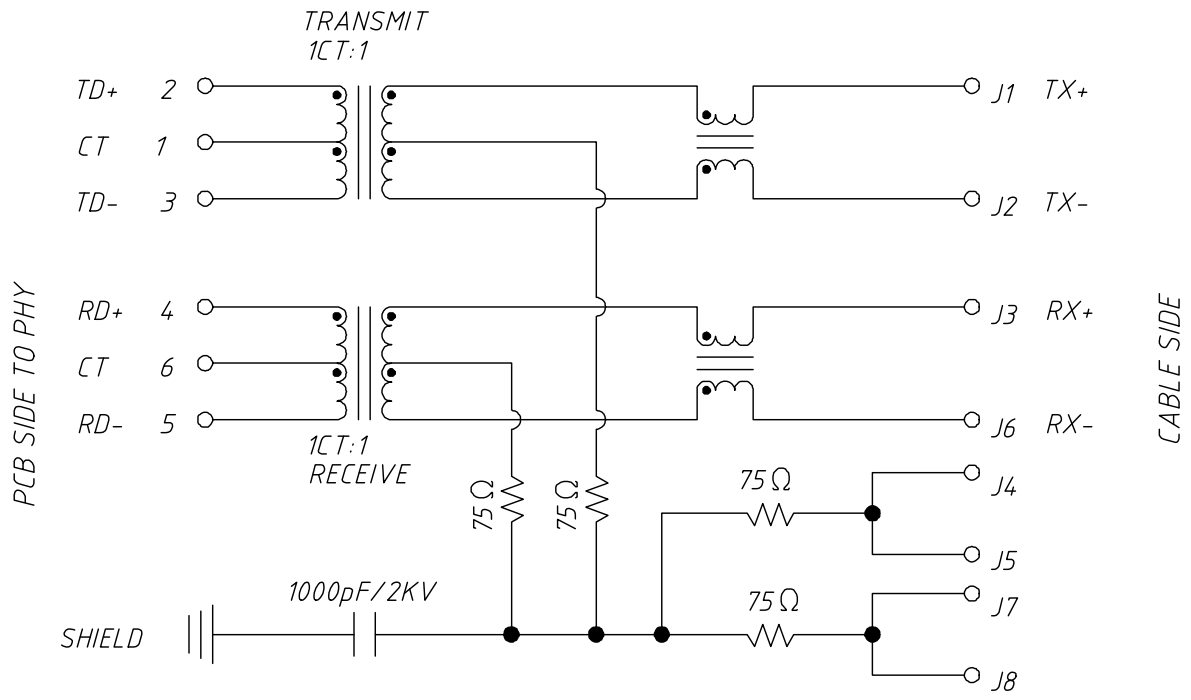
PLUG-IN SIDE
UNIT:MM / INCH
TOLERANCES:±0.10 /0.004

ANGLE TOLERANCE	PROJECTION	Description:
±3°		TAB-UP 1X1 10/100BASE
GENERAL TOLERANCE	UNITS	mm
.x ±0.30	SHEET SIZE	A4
.xx ±0.25	Draw:	Song
.xxx ±0.10	Check:	Daniel
		KLS P/N: L-KLS12-TL161-1x1-X/X-XX
		2 OF 4
		2024-10-09
		2024-10-09

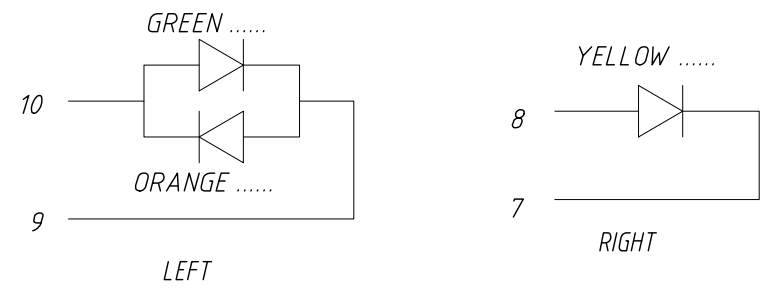


1
RoHS Compliance

6	7	8
REV	SYM	Revision Record
V0	KLS12054	New Version Release
		Appr. Song
		Date 2024-10-09



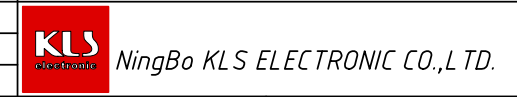
- Electrical:
- Turn Ratio: 2~3: J1~J2=1CT:1CT(±2%)
4~5: J3~J6=1CT:1CT(±2%)
 - OCL: 350uH Min.at 100KHz 100mV 8mA DC
 - Insertion Loss: -1.0 dB Max 1~100MHz
 - Return Loss: -20dB Min 1~10MHz
-16dB Min 10~30MHz
-12dB Min 30~60MHz
-10dB Min 60~80MHz
 - Cross Talk: -40dB Min 1~30MHz
-35dB Min 30~60MHz
-30dB Min 60~100MHz
 - CMR: -30dB Min 1~100MHz
 - Hi-Pot: 1500V AC & 2250V DC 6S 1mA PRI TO SEC



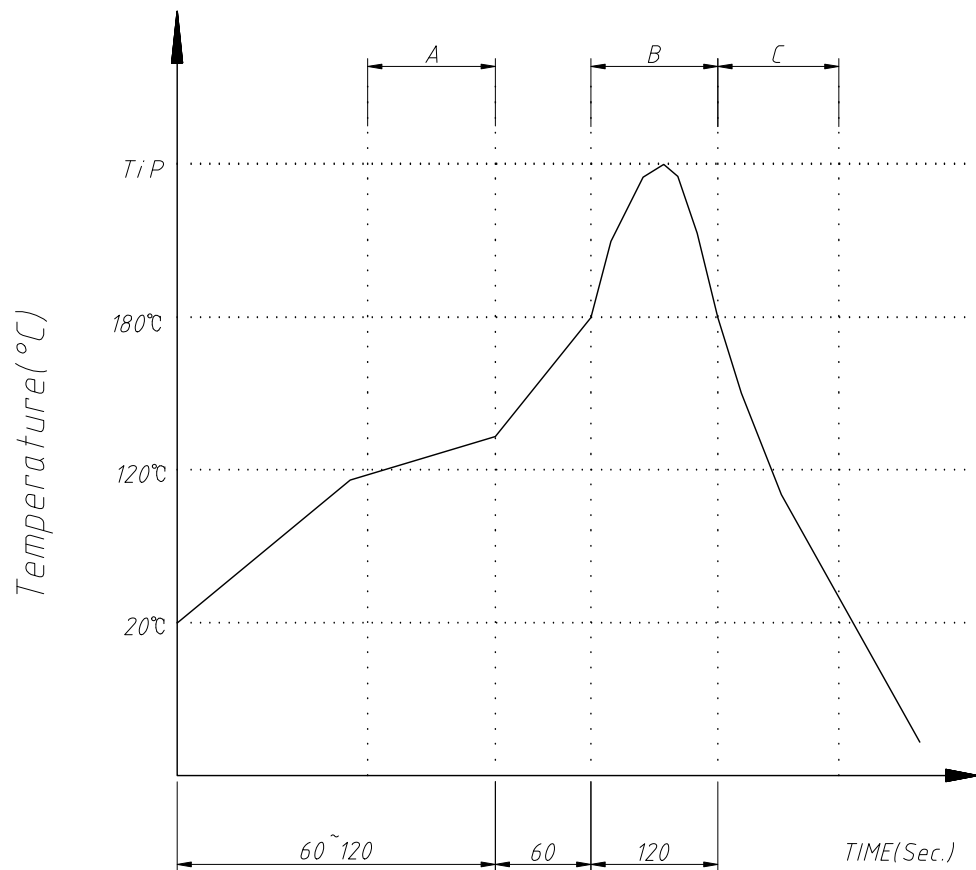
LED Specification

Standard LED Color	LED Wavelength	Foward(A)	Foward(V)
Green	568nm	20mA	1.85-2.45V
Yellow	585nm	20mA	1.7-2.2V
Orange	585nm	20mA	1.8-2.8V

ANGLE TOLERANCE	PROJECTION	Description:	
±3°			TAB-UP 1X1 10/100BASE
GENERAL TOLERANCE	UNITS	mm	KLS P/N:
.x ±0.30	SHEET SIZE	A4	L-KLS12-TL161-1x1-X/X-XX
.xx ±0.25	Draw:	Song	2024-10-09
.xxx ±0.10	Check:	Daniel	2024-10-09



Profile Of Wave Solder



A.Preheating B.Soldering C.Gradual Cooling
 Tip Temperature:260±5°C
 Tip Temperature Time:5 Sec Max
 Tip Melting Point Of Sn96.5/Ag3/Cu0.5:217°C

Remarks:After Wave Soldering, The Plastic Positioning Columns Of The Product Which Under The PCB Will Be Slightly Melted,But It Won't Affect Its Function.

ANGLE TOLERANCE	PROJECTION	Description:
±3°		TAB-UP 1X1 10/100BASE
GENERAL TOLERANCE	UNITS	mm
.x ±0.30	SHEET SIZE	A4
.xx ±0.25	Draw:	Song
.xxx ±0.10	Check:	Daniel
		2024-10-09