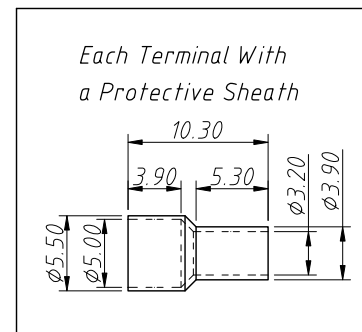
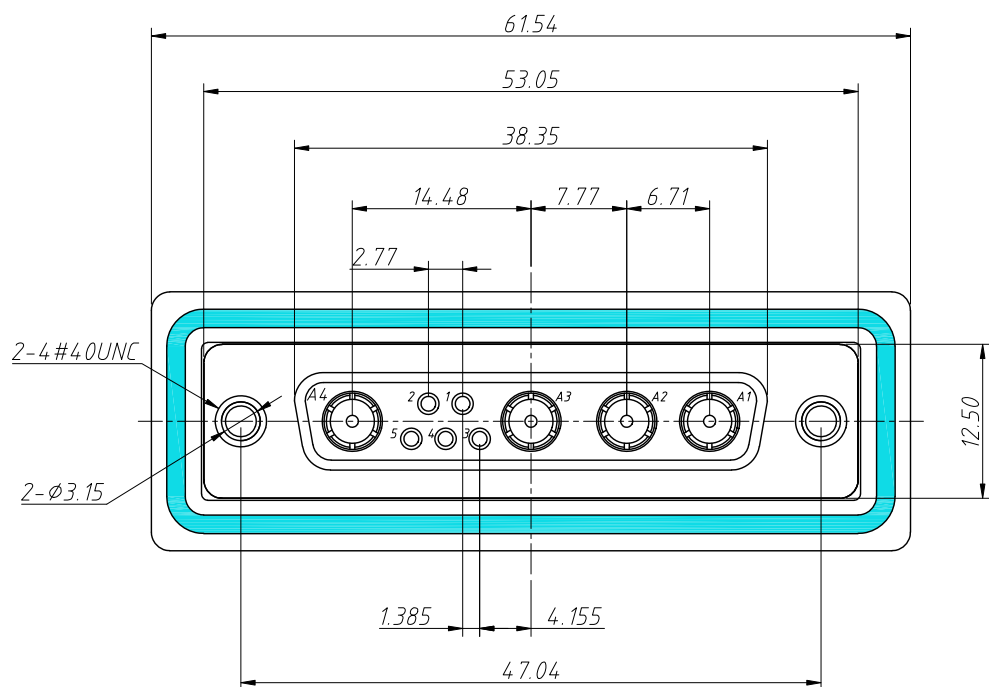


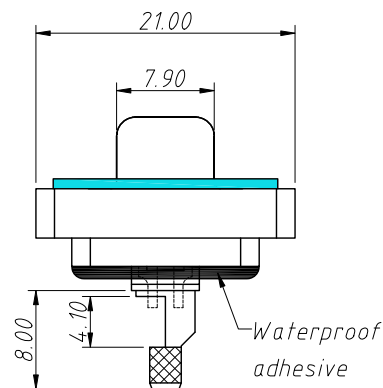
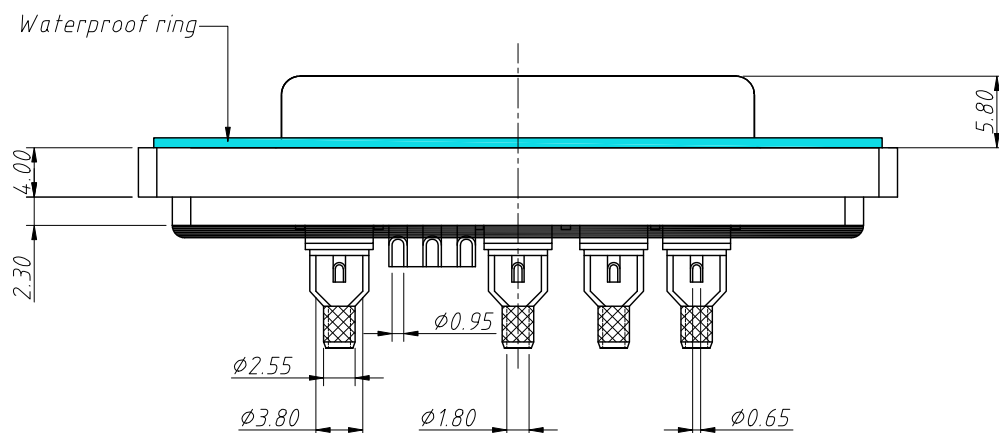
1 RoHS Compliance

REV	SYM	Revision Record	Appr.	Date
V0	KLS01545	New Version Release	Jenny	2024-11-14



Material:
 Connector Insulator: PBT+30%GF, UL 94 V-0, Black
 High Power Contact: Brass, 1u" Gold Plated
 Shell: SPCC, Front Shell Nickel Plated,
 Back Shell Tin Plated
 Waterproof ring: PA66, black
 Rubber ring: Silicone
 Copper pillar: Copper alloy, Tin plated

Electric:
 Rated voltage: 500V AC Min
 Rated current: 5A
 Contact resistance: 30mΩ Max.
 Insulation resistance: 3000MΩ Min at 500V DC
 Dielectric Withstand Voltage: 1000V AC FOR 1min
 Waterproof grade: IP67
 Temperature Rating: -55°C ~ +105°C



Order Information:
L-KLS1-DBRF5-9W4-F-G1U-B-50
 L: RoHS
 No. Of Pin: 9W4
 Type: F-Female
 Plating: G1U=Gold 1u"
 Colour: B-Black
 Impedance: 50-50Ω

ANGLE TOLERANCE	PROJECTION	Description:		
±5°		9W4 D-SUB Coaxial Connectors (RF) Female		
GENERAL TOLERANCE	UNITS	mm	KLS P/N:	L-KLS1-DBRF5-9W4-F-G1U-B-50
x. ±0.5	SHEET SIZE	A4		
x.x ±0.3	Draw:	Jenny	2024-11-14	NingBo KLS ELECTRONIC CO.,L TD.
x.xx ±0.2	Check:	Daniel	2024-11-14	