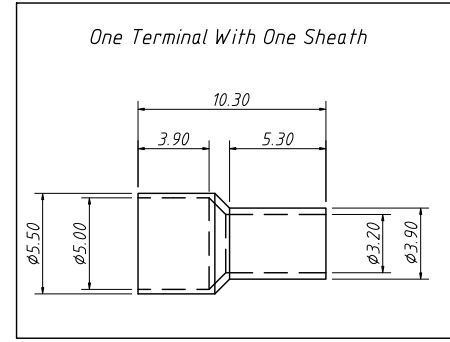
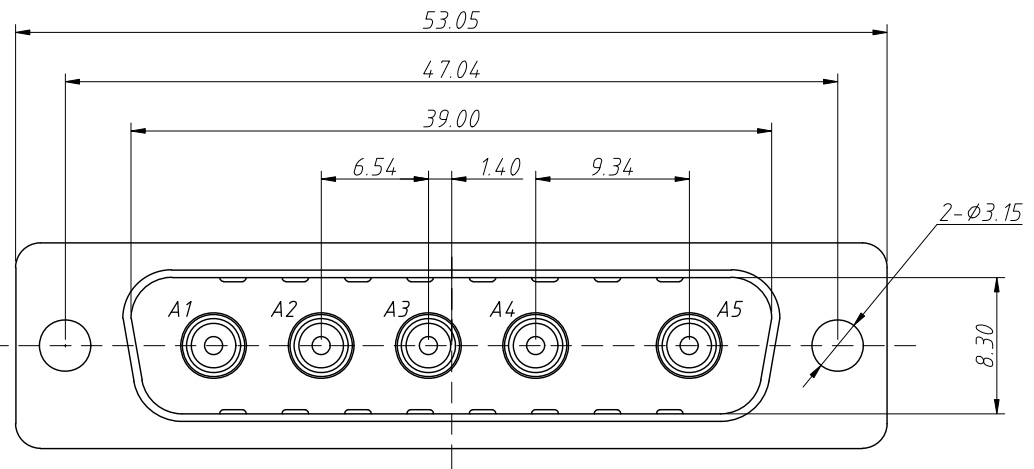


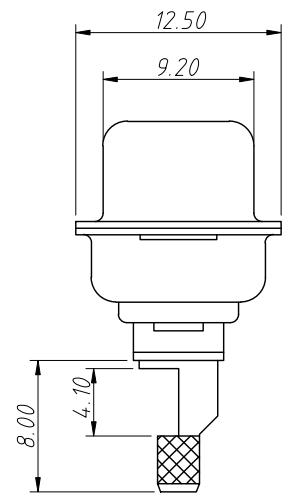
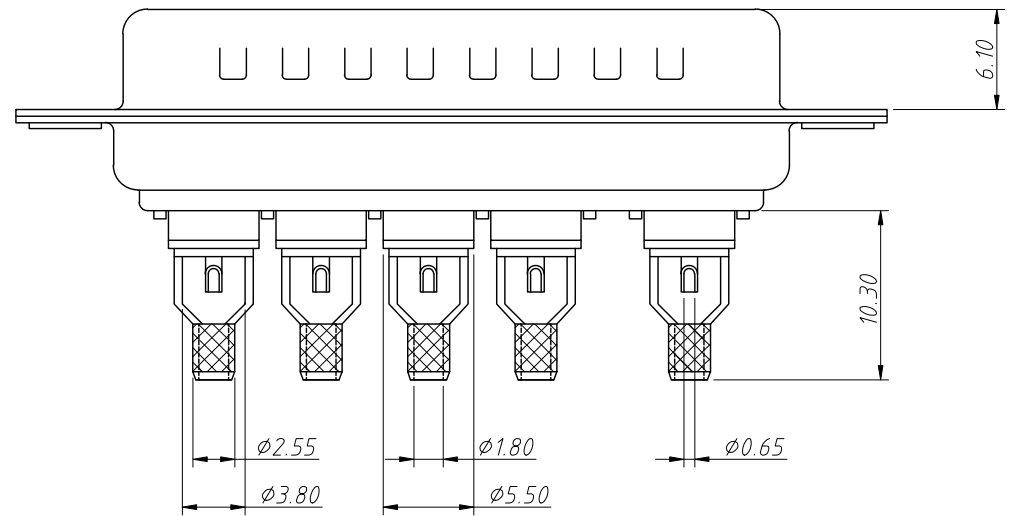
1
RoHS Compliance

2	3	4	5	6	7	8
REV	SYM	Revision Record		Appr.	Date	
V0	KLS01545	New Version Release		Song	2024-11-14	



Material:
 Rubber Core:PBT+30%GF,UL 94 V-0,(Black)
 Contact:Copper Alloy,Gold Plated
 Shell:SPCC,Front Shell Nickel Plated,
 Back Shell Tin Plated

Electric:
 High Frequency Contact Impedance:50Ω/75Ω
 Radio Frequency:0~3 GHz
 Working Voltage:300 V
 Dielectric Withstand Voltage:1000 V AC For 1min
 Insulation Resistance:2000 MEGAOHMS
 Temperature Rating : -55°C ~ +105°C
 3.After 48 hours of salt spray testing,there
 should be no oxidation or rust phenomenon
 4. The finished product
 must not have bent needle defects



Order Information:
L-KLS1-DBRF5-5W5-M-G3U-B-50

L: RoHS
 No.Of Pin:5W5
 M-Male
 G3U=Gold 3u"
 Colour:
 B-Black W-White G-Green
 Impedance:50-50Ω 75-75Ω

ANGLE TOLERANCE	PROJECTION	Description:		5W5 D-SUB Coaxial Connectors (RF) Male
±3°				
GENERAL TOLERANCE	UNITS	mm	KLS P/N:	L-KLS1-DBRF5-5W5-M-G3U-X-XX
.x ±0.30	SHEET SIZE	A4		
.xx ±0.20	Draw:	Song	2024-11-14	NingBo KLS ELECTRONIC CO.,L TD.
.xxx ±0.10	Check:	Daniel	2024-11-14	

A
B
C
D
E
F
G
H

A
B
C
D
E
F
G
H

1 2 3 4 5 6 7 8