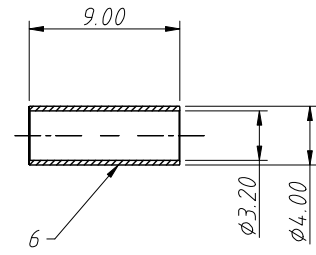
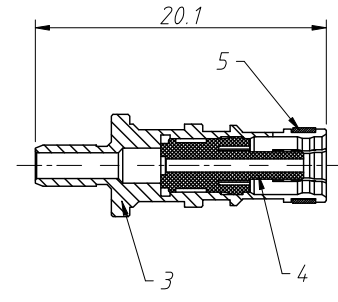
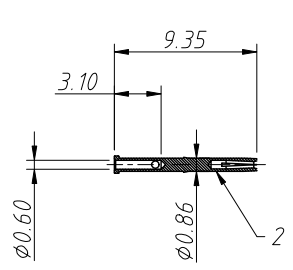
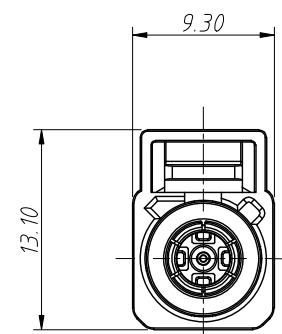
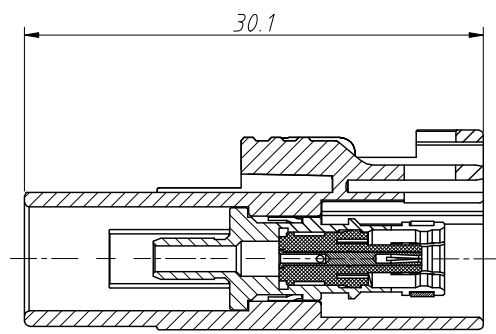
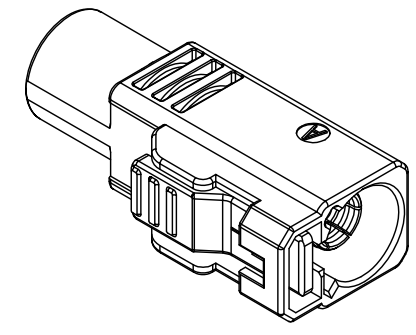
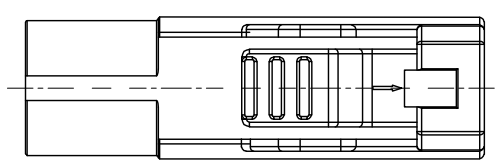


1
RoHS Compliance

2		3		4		5		6		7		8	
REV	SYM	Revision Record				Appr.	Date						
V0	KLS01676	New Version Release				Song	2024-08-01						



The Size Of The Connector After Assembling The Cable



ANGLE TOLERANCE	PROJECTION	Description:		Fakra Jack Connector	
±3°				RG174, RG316 For Crimping	
GENERAL TOLERANCE	UNITS	mm	KLS P/N:	L-KLS1-FAKRA48A-A-XXXX-1-X	
.x ±0.30	SHEET SIZE	A4	1 OF 2	NingBo KLS ELECTRONIC CO.,LTD.	
.xx ±0.20	Draw:	Song	2024-08-01		
.xxx ±0.10	Check:	Daniel	2024-08-01		

1
RoHS Compliance

Card slot direction	Code	Color	RAL	Order Information
	A	Black	sim.9005	FAKRA48A-A-9005-1-G
	B	White	sim.9001	FAKRA48A-A-9001-1-G
	C	Blue	sim.5005	FAKRA48A-A-5005-1-G
	D	Bordeaux	sim.4004	FAKRA48A-A-4004-1-G
	E	Green	sim.6002	FAKRA48A-A-6002-1-G
	F	Brown	sim.8011	FAKRA48A-A-8011-1-G
	G	Grey	sim.7031	FAKRA48A-A-7031-1-G
	H	Violet	sim.4003	FAKRA48A-A-4003-1-G
	I	Beige	sim.1001	FAKRA48A-A-1001-1-G
	J	Curry	sim.1027	FAKRA48A-A-1027-1-G
	K	Carmin	sim.3002	FAKRA48A-A-3002-1-G
	L	Carmin	sim.3002	FAKRA48A-A-3002-1-G
	M	Pastelorange	sim.2003	FAKRA48A-A-2003-1-G
	N	Pastel Green	sim.6019	FAKRA48A-A-6019-1-G
	O	Waterblue	sim.5021	FAKRA48A-A-5021-1-G
	P	Waterblue	sim.5021	FAKRA48A-A-5021-1-G

REV	SYM	Revision Record	Appr.	Date
V0	KLS01676	New Version Release	Song	2024-08-01

Material:
Housing:PA66
Contact:Copper Alloy,Au Plated
Body:Copper Alloy,Ni Plated
Insulator:LCP
Circlip:Copper Alloy,Ni Plated
Clamp:Copper Alloy,Ni Plated

Electrical:
Contact Resistance: 50mOHM Max
VSWR:0-6GHz 1.58Max
Rating Voltage:60V/DC
Rating Current:1A/PIN
Insulation Resistance:1000M0HM Min
Mating Cycles:25 Times Min
Operation Temperature:-40℃ ~ +105℃

Notes:
Part 3.4.5 is assembled together and the other parts are individually packaged

Order Information
L-KLS1-FAKRA48A-A-9005-1-G
RoHS
Card Slot Direction:A=Up
RAL:5005 Or
9001,9005,4004,6002,8011,7031,
4003,1001,1027,3002,2003,6019,5021
Size-1,2,3,4...
Plating:G-Gold Plated N-Nickel Plated

ANGLE TOLERANCE	PROJECTION	Description:
±3°		Fakra Jack Connector RG174, RG316 For Crimping
GENERAL TOLERANCE	UNITS	mm
.x ±0.30	SHEET SIZE	A4
.xx ±0.20	Draw:	Song 2024-08-01
.xxx ±0.10	Check:	Daniel 2024-08-01

L-KLS1-FAKRA48A-A-XXXX-1-X

NingBo KLS ELECTRONIC CO.,L TD.