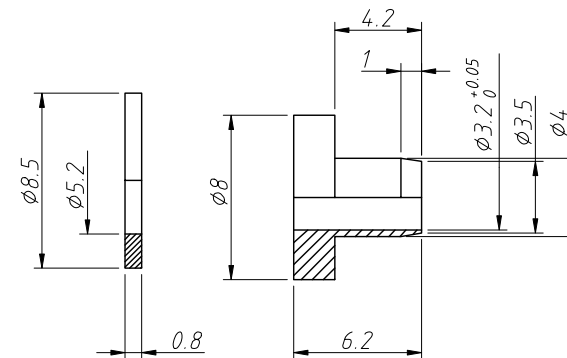
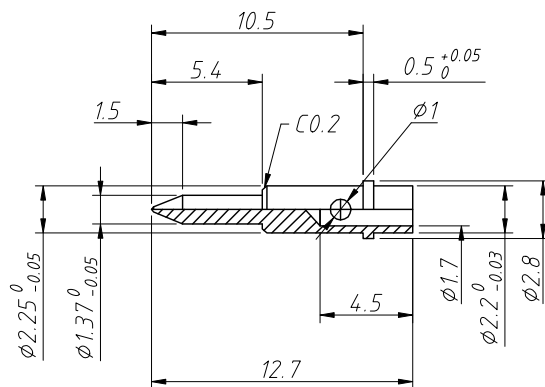
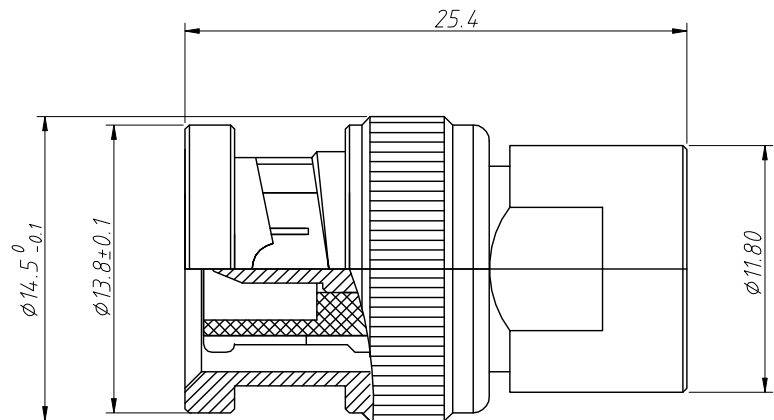


1 RoHS Compliance

REV	SYM	Revision Record	Appr.	Date
V0	KLS01058	New Version Release	Song	2024-10-06



Description:

Material:

Connector Body+Inner Conductor:Brass,Gold Plated

Pressure Tube:Brass,Nickel Plating

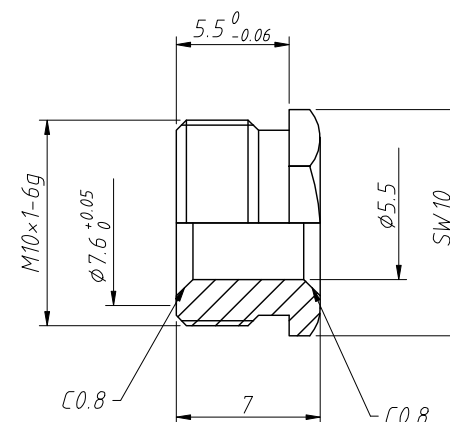
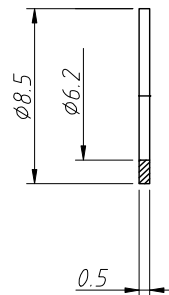
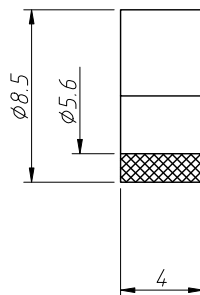
Insulator:Teflon

Impedance:50Ω

Frequency Range:0 ~ 3GHz

Durability:500 Cycles Min

Adapter Cable:RG58



ANGLE TOLERANCE	PROJECTION	Description:		
±3°		BNC Connector		
GENERAL TOLERANCE	UNITS	mm	KLS P/N:	L-KLS1-BNC170
.x ±0.30	SHEET SIZE	A4		
.xx ±0.20	Draw:	Song	2024-10-06	NingBo KLS ELECTRONIC CO.,L TD.
.xxx ±0.10	Check:	Daniel	2024-10-06	