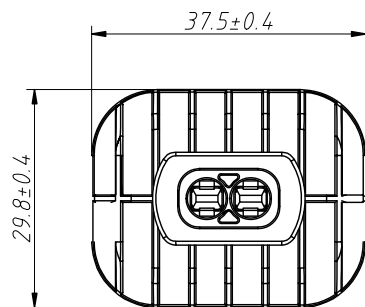


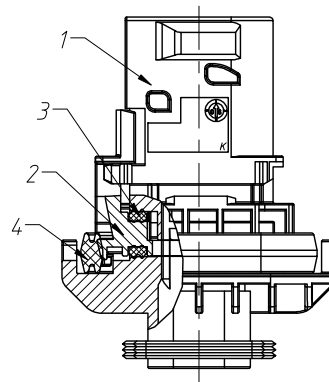
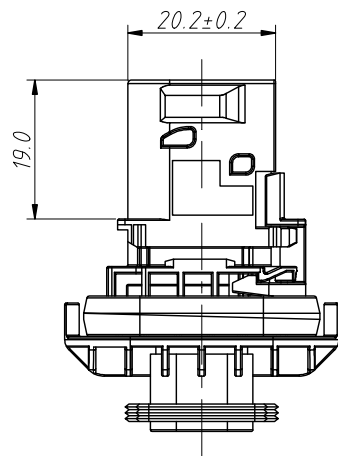
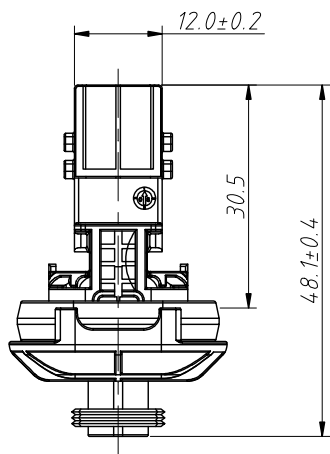
1
RoHS Compliance

6	7	8
REV	SYM	Revision Record
V0	KLS13006	New Version Release
Appr.	Jenny	Date
		2024-08-14

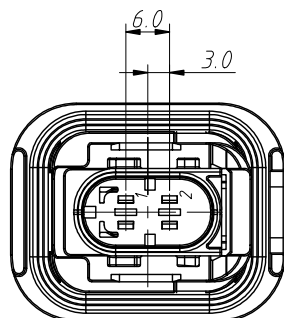


Material:
 1.Housing:PBT-GF,Black
 2.TPA:PBT-GF,Yellow
 3.Wire Seal:Silicone Rubber,White
 4.Wire Seal:Silicone Rubber,Green

Notes
 1.Parts shall not have any flash or injection defects that may affect the using, no obvious solution mark etc
 2.NO.TOLERANCES GB/T14486-2008-MT6



Order Information:
 L-KLS13-CA081-2.8-02-MH-B
 L: RoHS
 Serial number
 Applicable Terminal
 No.of 02 pins
 Type:Male Housing
 Color:Black housing



ANGLE TOLERANCE	PROJECTION	Description:	Automotive Connectors	
±3°				
GENERAL TOLERANCE	UNITS	mm	KLS P/N:	L-KLS13-CA081-2.8-02-MH-B
x.x ±0.30	SHEET SIZE	A4		
x.xx ±0.20	Draw:	Jenny	2024-08-14	
x.xxx ±0.10	Check:	Daniel	2024-08-14	

NingBo KLS ELECTRONIC CO.,L TD.