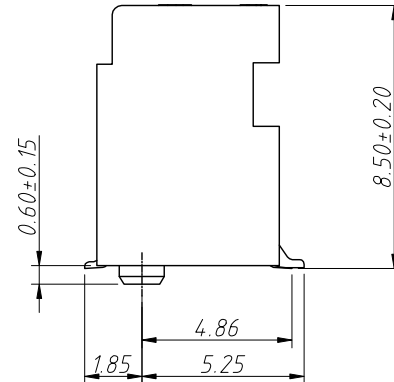
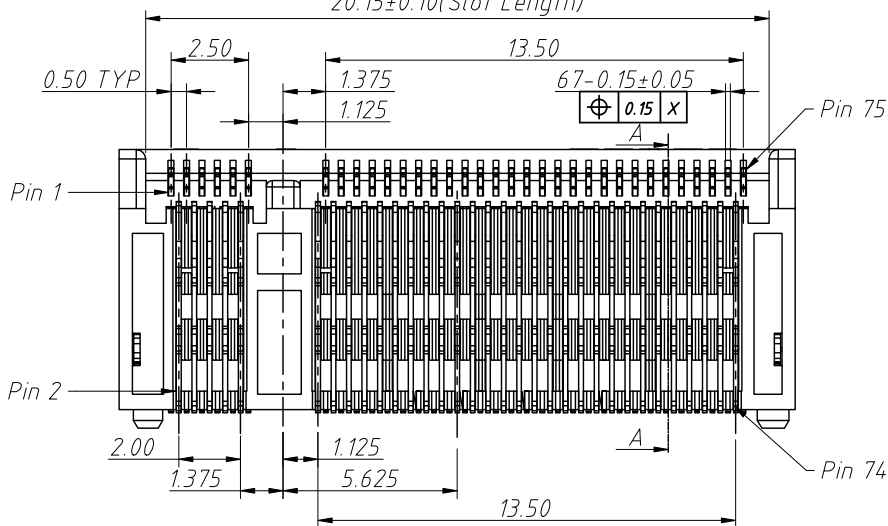
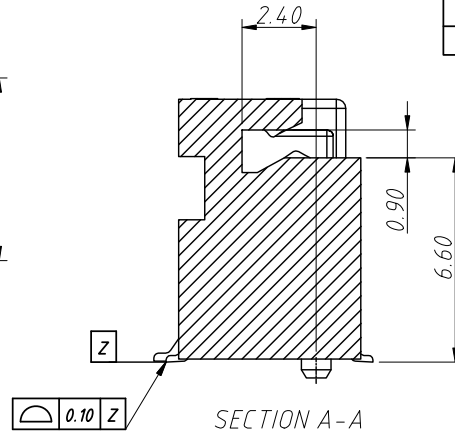
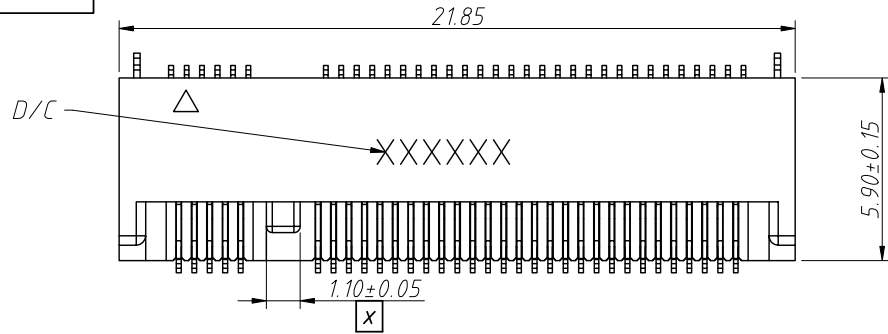


RoHS Compliance

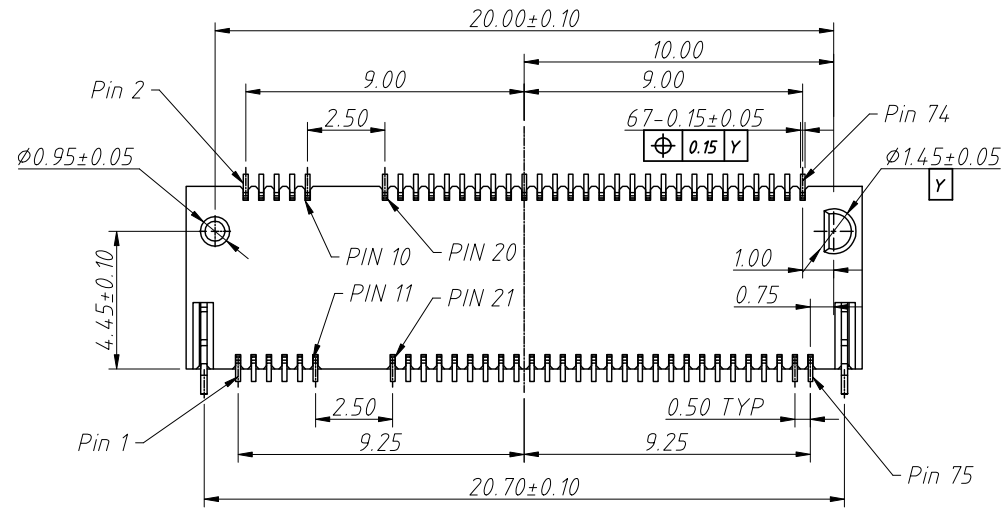
REV	SYM	Revision Record	Appr.	Date
V0	KLS01501	New Version Release	Song	2024-09-21



Notes:

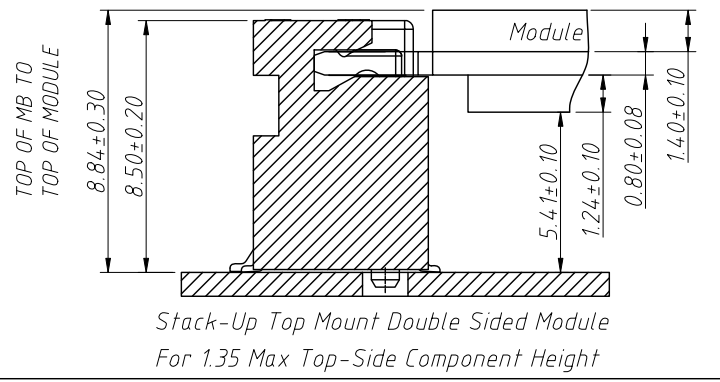
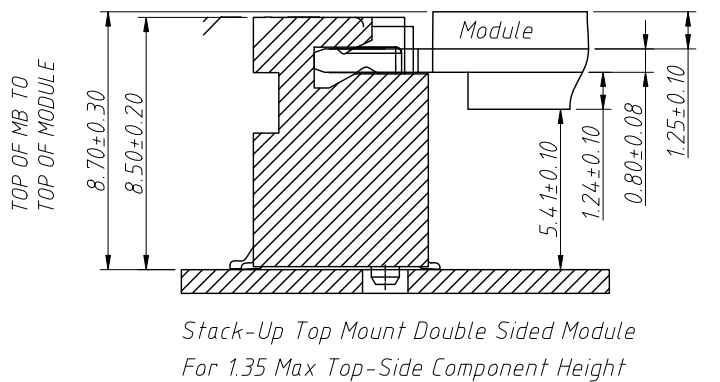
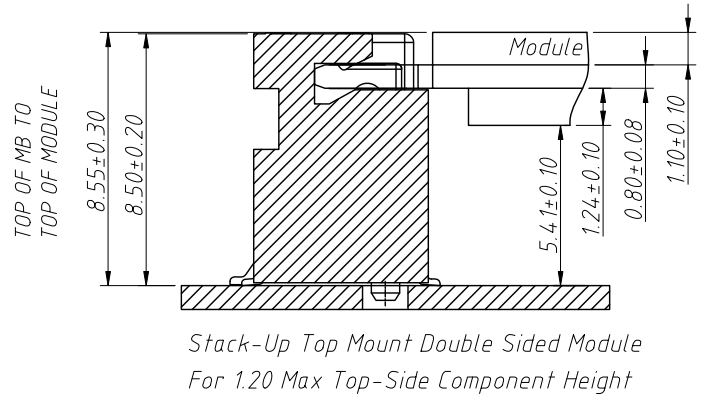
- Material:  
Housing: LCP+40%GF, UL 94 V-0, Black  
Contacts: Copper Alloy C1065  
SMT TAB: S50C
- Finished:  
Contacts: Gold Plating On Contact Area  
G/F Plating On Solder Area  
50u"Min Nickel Under-Plating Over All  
SMT TAB: 80u"Matte Tin Plating On Solder Area  
50u"Nickel Under Plating Over All
- Electric:  
Current Rating: 0.5A Per Pin  
LLCR: Initial 55mΩ Max, Final ΔLLCR=20mΩ Max  
IR Reflow: The Temperature Shall Be 260±5°C,  
Maintaining 10±1 Seconds

3. DATE CODE: XXXXXX  
 DAY  
 WEEK  
 YEAR

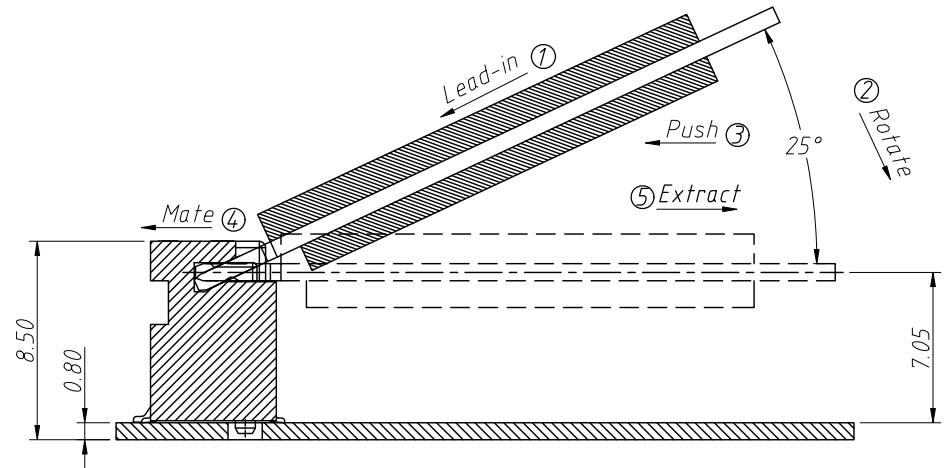


ANGLE TOLERANCE	PROJECTION	Description:	PCI Express Connector	
±3°				
GENERAL TOLERANCE	UNITS	mm	KLS P/N:	L-KLS1-NGFF01-8.5-B-G1U
.x ±0.30	SHEET SIZE	A4	1 OF 3	NingBo KLS ELECTRONIC CO.,LTD.
.xx ±0.20	Draw:	Song	2024-09-21	
.xxx ±0.10	Check:	Daniel	2024-09-21	

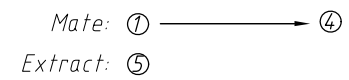
REV	SYM	Revision Record	Appr.	Date
V0	KLS01501	New Version Release	Song	2024-09-21



Assembly Stack Height Schematic Diagram



How To Mate And Extract

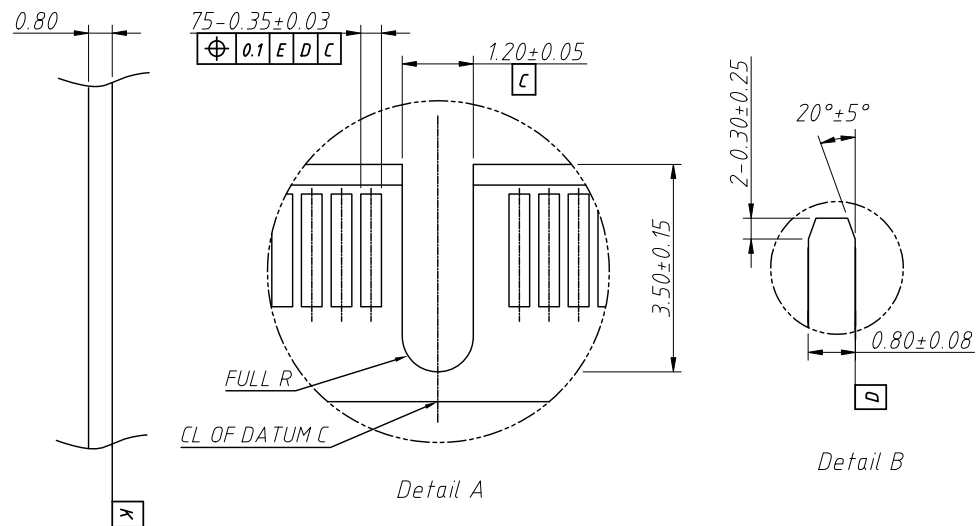
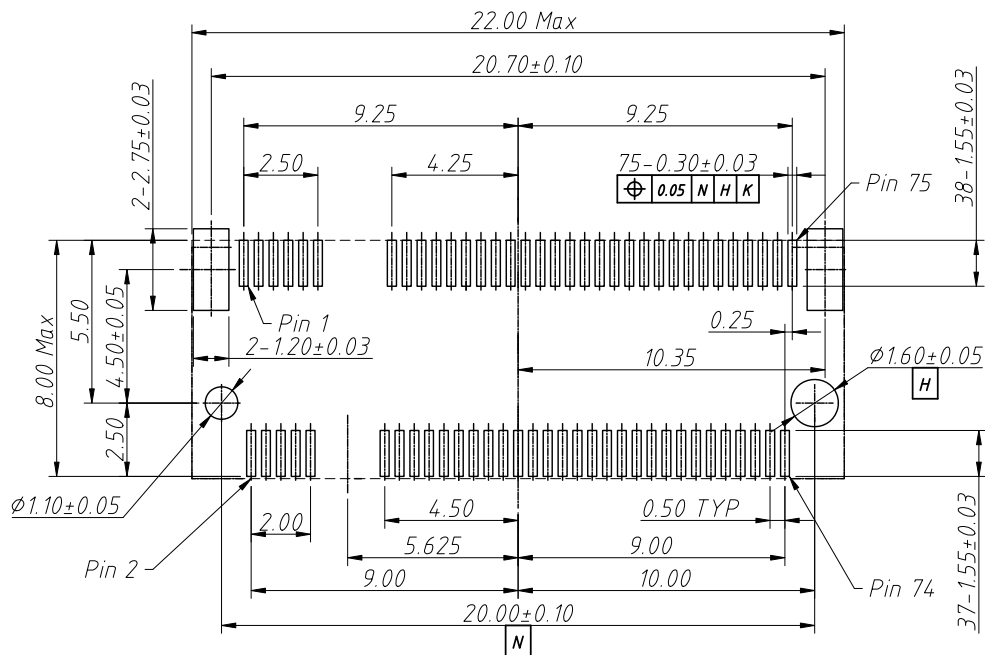
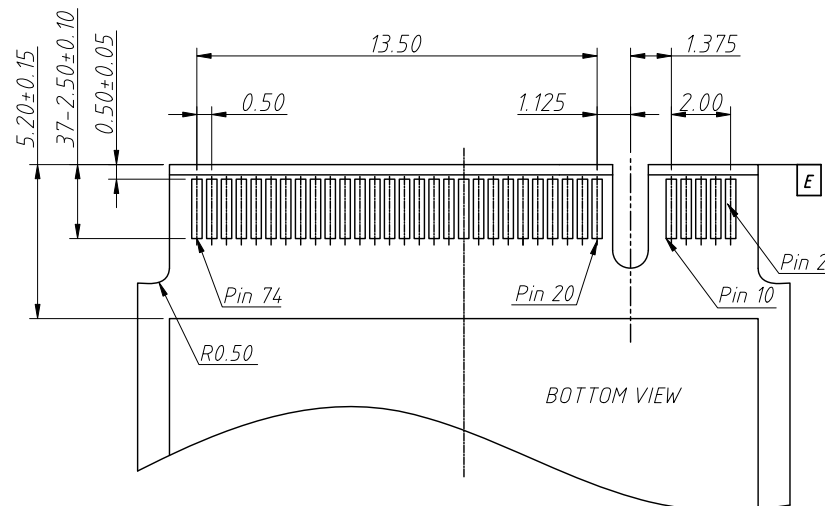
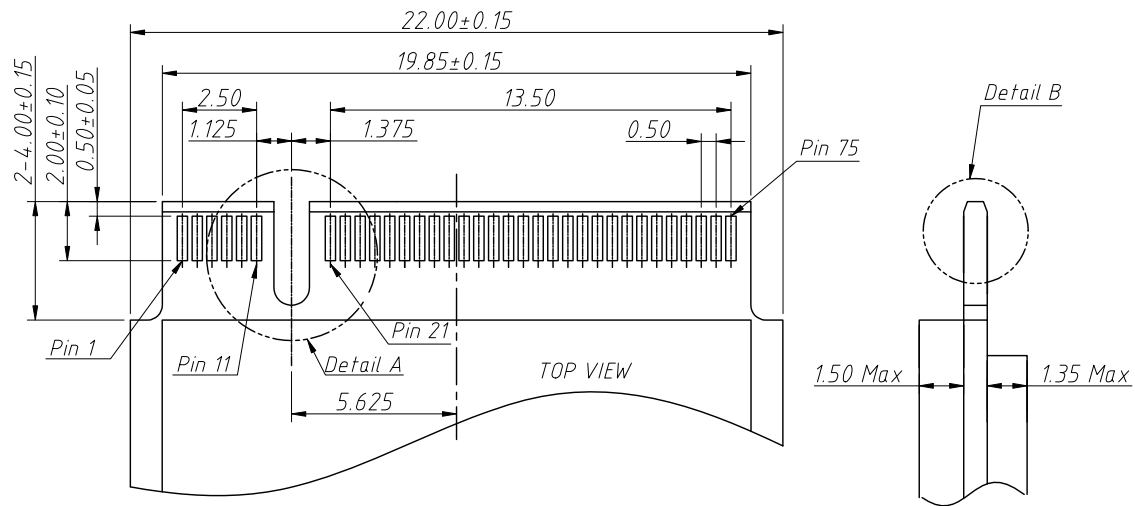


Note: Mating Force Will Generate From Step 3 To Step 4

ANGLE TOLERANCE	PROJECTION	Description:		
±3°		PCI Express Connector		
GENERAL TOLERANCE	UNITS	mm	KLS P/N:	L-KLS1-NGFF01-8.5-B-G1U
.x ±0.30	SHEET SIZE	A4	2 OF 3	NingBo KLS ELECTRONIC CO.,L.TD.
.xx ±0.20	Draw:	Song	2024-09-21	
.xxx ±0.10	Check:	Daniel	2024-09-21	

RoHS Compliance

REV	SYM	Revision Record	Appr.	Date
V0	KLS01501	New Version Release	Song	2024-09-21



Recommended PCB Layout  
Tolerance: ±0.05mm

ANGLE TOLERANCE	PROJECTION	Description:		
±3°		PCI Express Connector		
GENERAL TOLERANCE	UNITS	mm	KLS P/N:	L-KLS1-NGFF01-8.5-B-G1U
.x ±0.30	SHEET SIZE	A4	3 OF 3	NingBo KLS ELECTRONIC CO.,LTD.
.xx ±0.20	Draw:	Song	2024-09-21	
.xxx ±0.10	Check:	Daniel	2024-09-21	