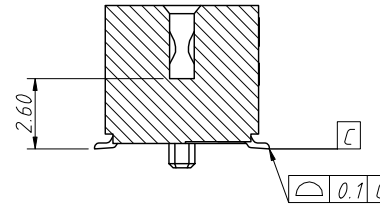
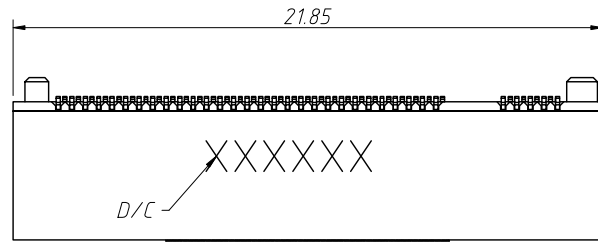
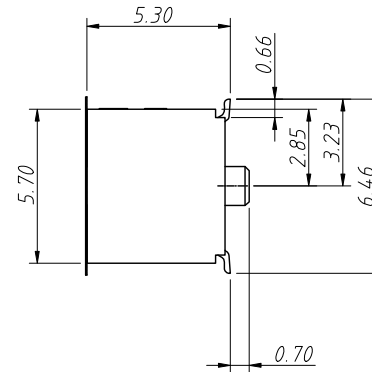
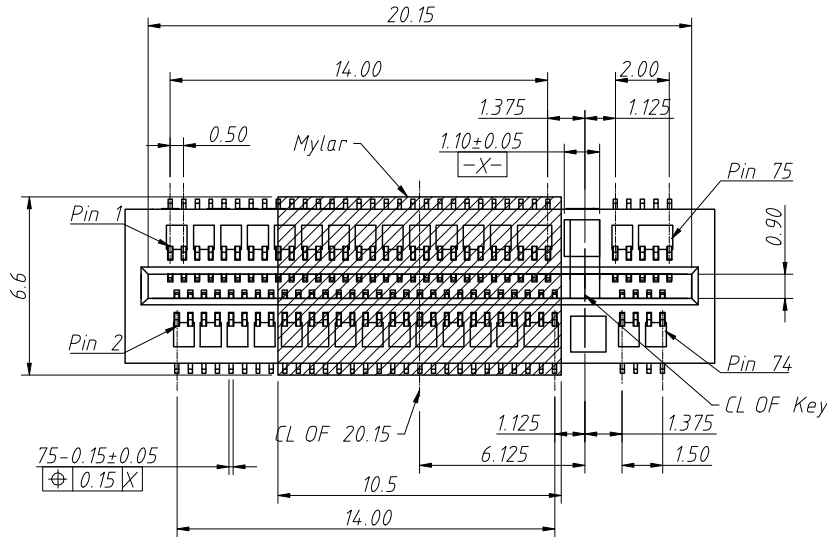


1 RoHS Compliance

REV	SYM	Revision Record	Appr.	Date
V0	KLS01517	New Version Release	WuHao	2024-10-10

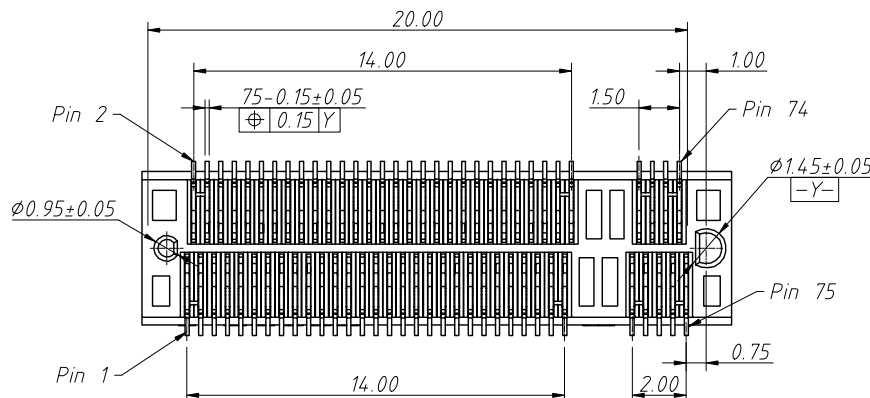
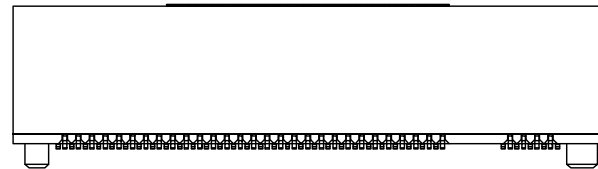


Notes:
 Material :
 Housing:LCP+40%GF,UL 94 V-0, Black
 Contacts:Copper Alloy
 Plating Specification:
 Contact:50u"Min.Nickel Under Plating Over All
 1u"Gold Plating On Contact Area
 G/F Plating On Solder Area



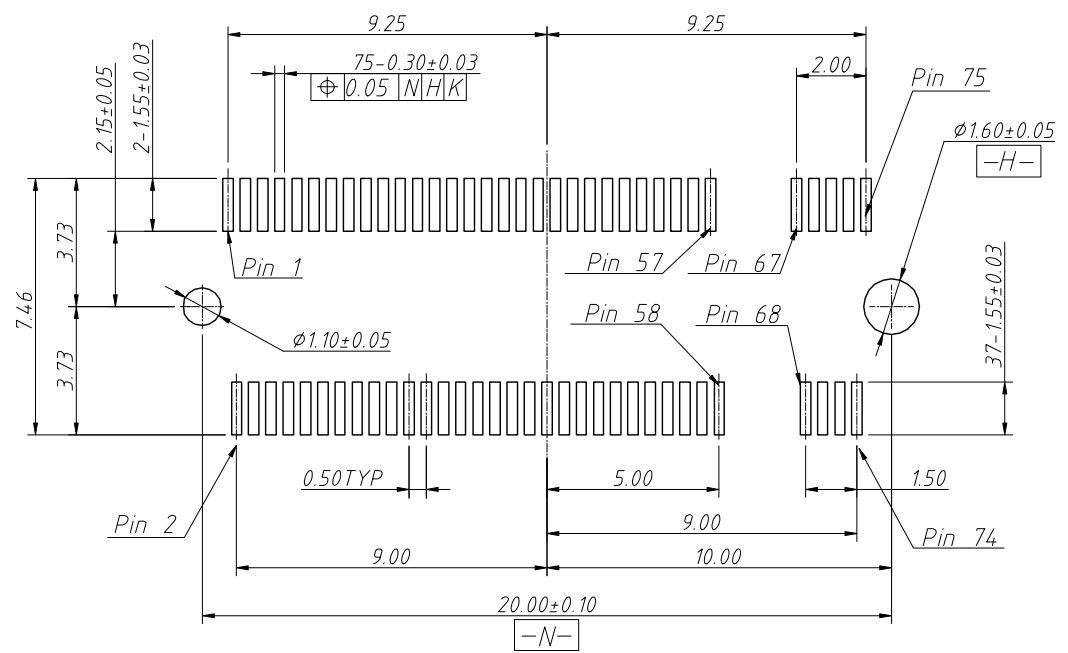
Electric:
 Current Rating:0.5A Per Pin
 LLCR:Initial 55mΩ Max,Final ΔLLCR=20mΩ Max
 IR Reflow:The Temperature Shall Be 260±5°C,
 Maintaining 10⁴ Seconds
 Durability:25 Cycles

3.DATE CODE:XXXXXX
 DAY
 WEEK
 YEAR

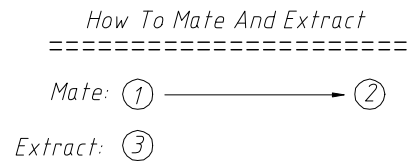
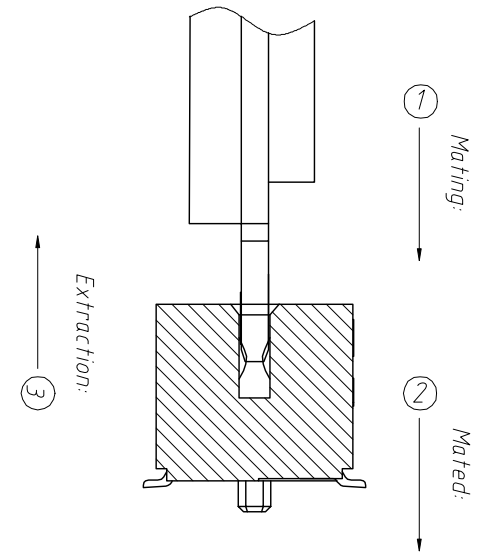
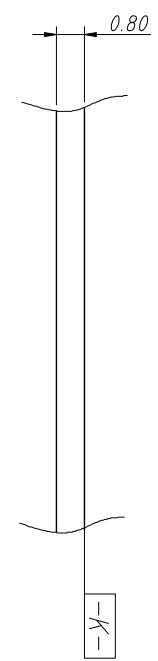


ANGLE TOLERANCE	PROJECTION	Description:	PCI Connector	
±3°				
GENERAL TOLERANCE	UNITS	mm	KLS P/N:	L-KLS1-NGFF01-V1-5.3H-M-G1U
x.x ±0.35	SHEET SIZE	A4	1 OF 4	NingBo KLS ELECTRONIC CO.,L TD.
x.xx ±0.25	Draw:	SONG	2024-10-10	
x.xxx ±0.15	Check:	Daniel	2024-10-10	

6	7	8
REV	SYM	Revision Record
V0	KLS01517	New Version Release
		Appr.
		WuHao
		Date
		2024-10-10



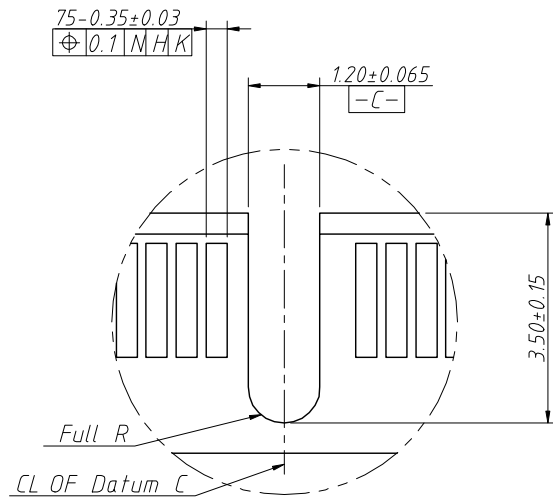
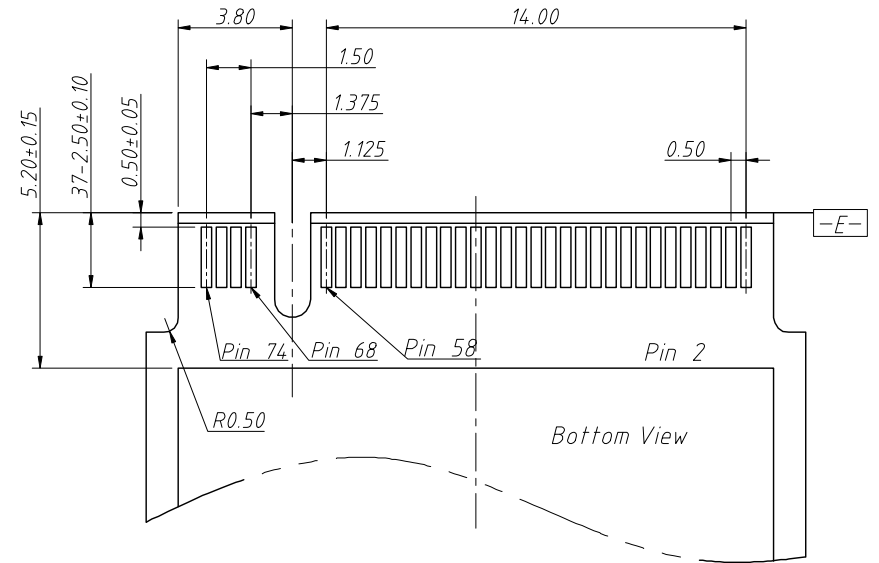
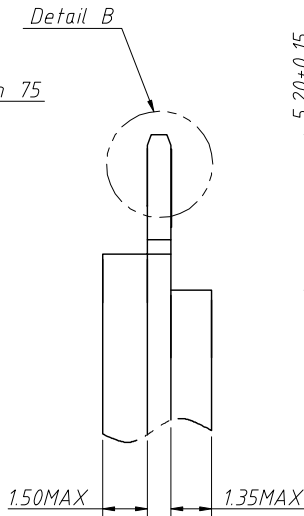
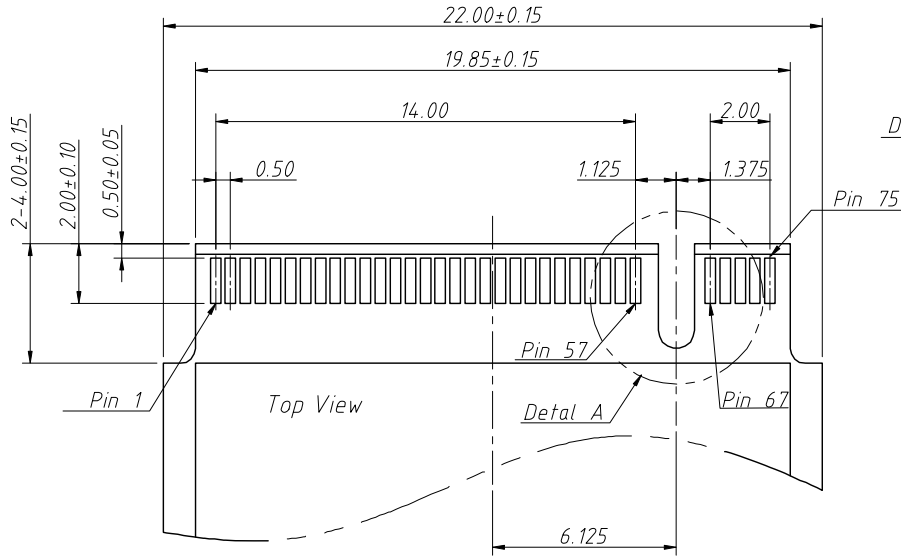
Recommended PCB Layout
Tolerance: ±0.05mm



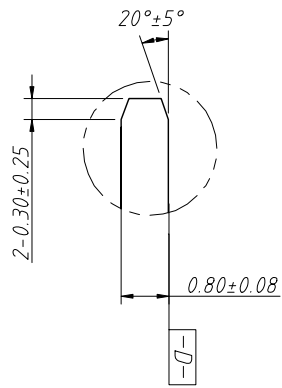
ANGLE TOLERANCE	PROJECTION	Description:	PCI Connector	
±3°				
GENERAL TOLERANCE	UNITS	mm	KLS P/N:	L-KLS1-NGFF01-V1-5.3H-M-G1U
x.x ±0.35	SHEET SIZE	A4	2 OF 4	NingBo KLS ELECTRONIC CO.,L TD.
x.xx ±0.25	Draw:	SONG	2024-10-10	
x.xxx ±0.15	Check:	Daniel	2024-10-10	

1 RoHS Compliance

REV	SYM	Revision Record	Appr.	Date
V0	KLS01517	New Version Release	WuHao	2024-10-10



Detail A
Scale 2:1

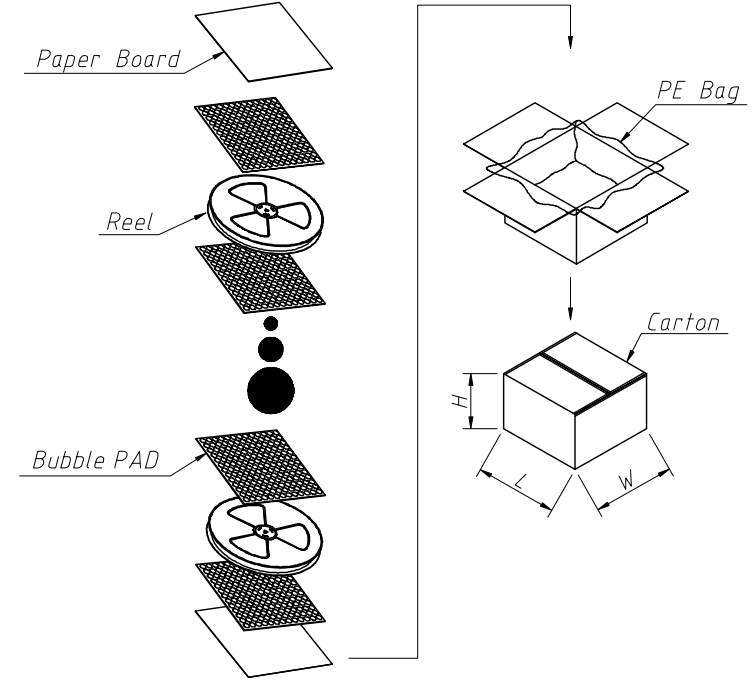
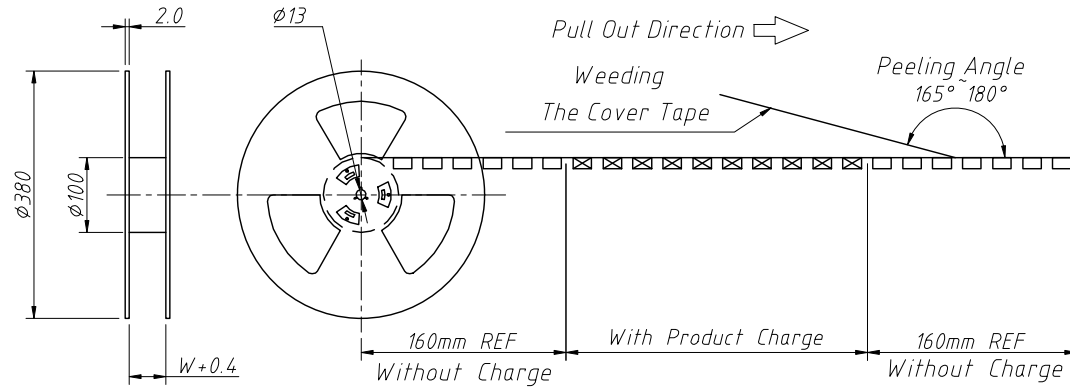


Detail B
Scale 2:1

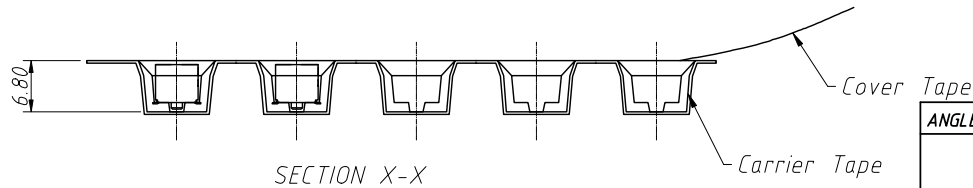
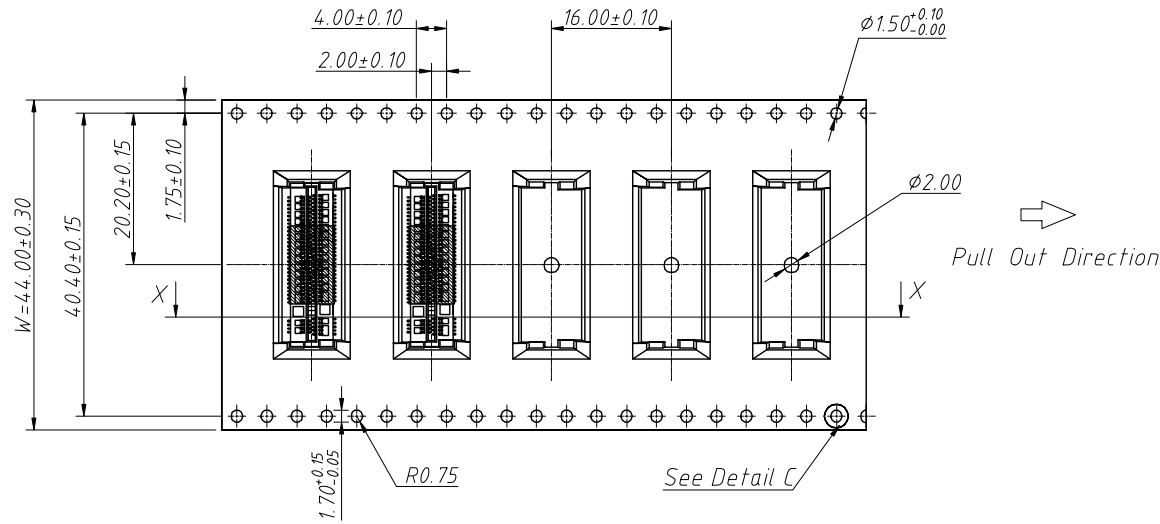
ANGLE TOLERANCE	PROJECTION	Description:	PCI Connector	
±3°				
GENERAL TOLERANCE	UNITS	mm	KLS P/N:	L-KLS1-NGFF01-V1-5.3H-M-G1U
x.x ±0.35	SHEET SIZE	A4	2 OF 4	NingBo KLS ELECTRONIC CO.,LTD.
x.xx ±0.25	Draw:	SONG	2024-10-10	
x.xxx ±0.15	Check:	Daniel	2024-10-10	

1 RoHS Compliance

REV	SYM	Revision Record	Appr.	Date
V0	KLS01517	New Version Release	WuHao	2024-10-10



650 PCS/Reel, 3900PCS/Carton



ANGLE TOLERANCE	PROJECTION	Description:	PCI Connector	
$\pm 3^\circ$				
GENERAL TOLERANCE	UNITS	mm	KLS P/N:	L-KLS1-NGFF01-V1-5.3H-M-G1U
x.x ± 0.35	SHEET SIZE	A4	2 OF 4	NingBo KLS ELECTRONIC CO.,LTD.
x.xx ± 0.25	Draw:	SONG	2024-10-10	
x.xxx ± 0.15	Check:	Daniel	2024-10-10	