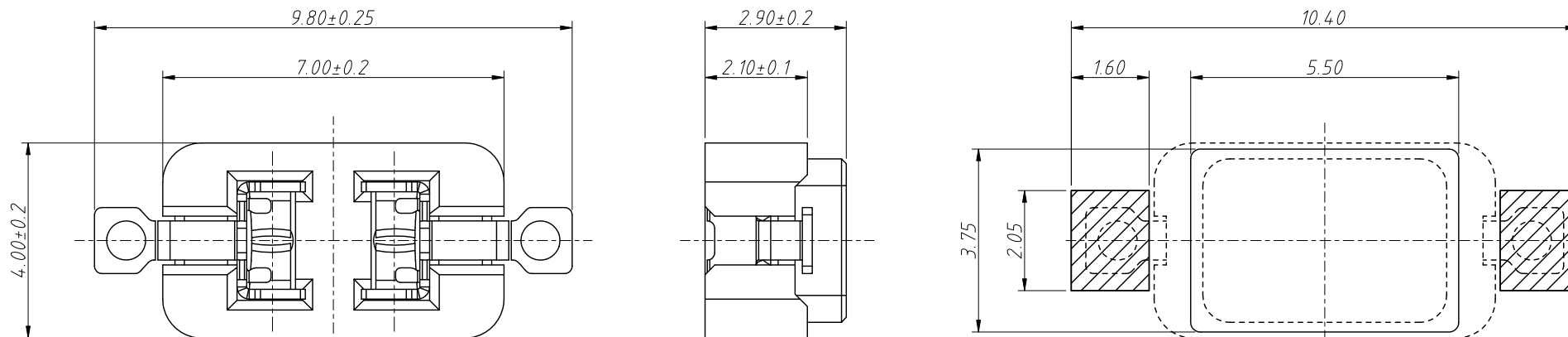
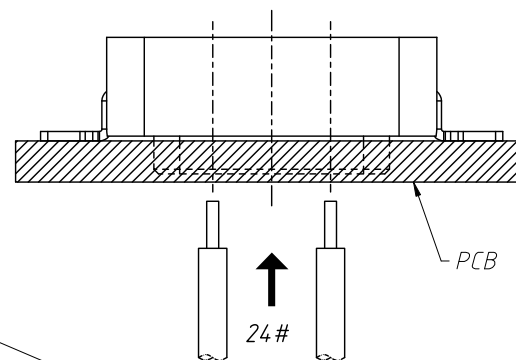
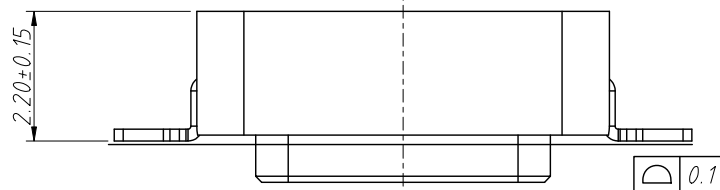


RoHS Compliance

REV	SYM	Revision Record	Appr.	Date
V0	KLS02056	New Version Release	Song	2024-10-29

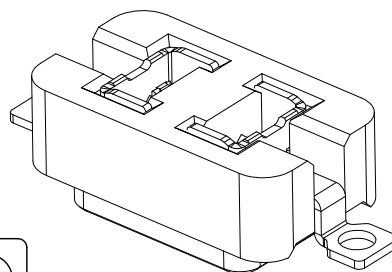
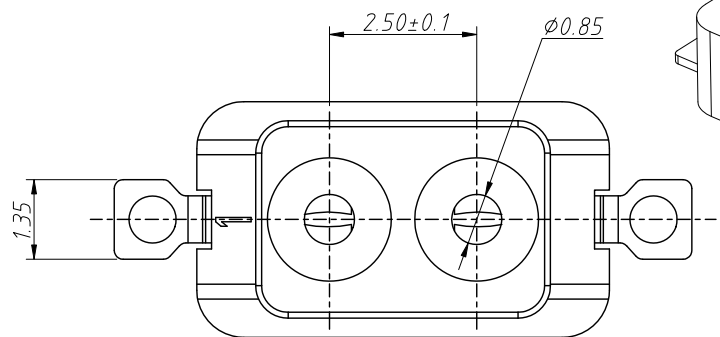


Recommended PCB Layout
Tolerance: ±0.05mm



Material:
Housing: PPA, Natural (Beige)
Contacts: Phosphor Bronze, Sn-Plated

Electric:
Contact Resistance: 20mΩ Max
Insulation Resistance: 800MΩ Min
Rated Voltage: 250V AC DC
Rated Current: 1.0A AC DC
Withstanding Voltage: 1000V AC/minute
Temperature Range: -40°C ~ +120°C
Packing: Reel



Assembly Layout

ANGLE TOLERANCE	PROJECTION	Description:	2.5mm Pitch 180° Wafer SMT Type LED Lighting Connector
±3°			
GENERAL TOLERANCE	UNITS	mm	KLS P/N: L-KLS2-L116
.x ±0.50	SHEET SIZE	A4	
.x ±0.30	Draw:	Song	2024-10-29
.xx ±0.20	Check:	Daniel	2024-10-29



NingBo KLS ELECTRONIC CO.,LTD.