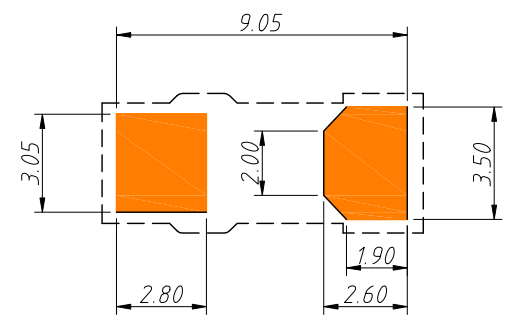
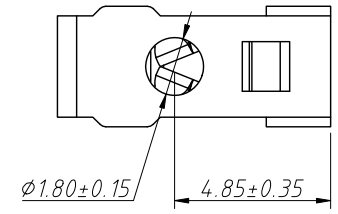
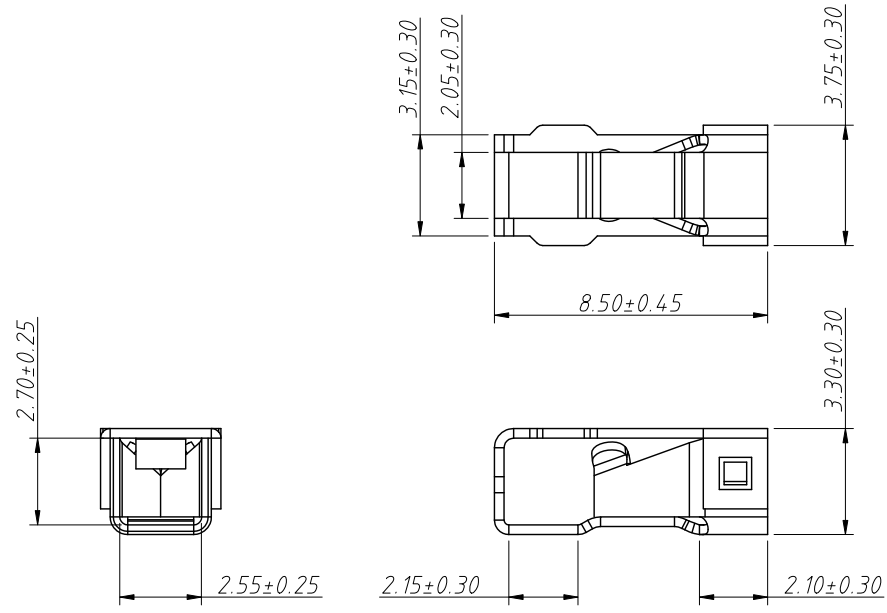


RoHS Compliance

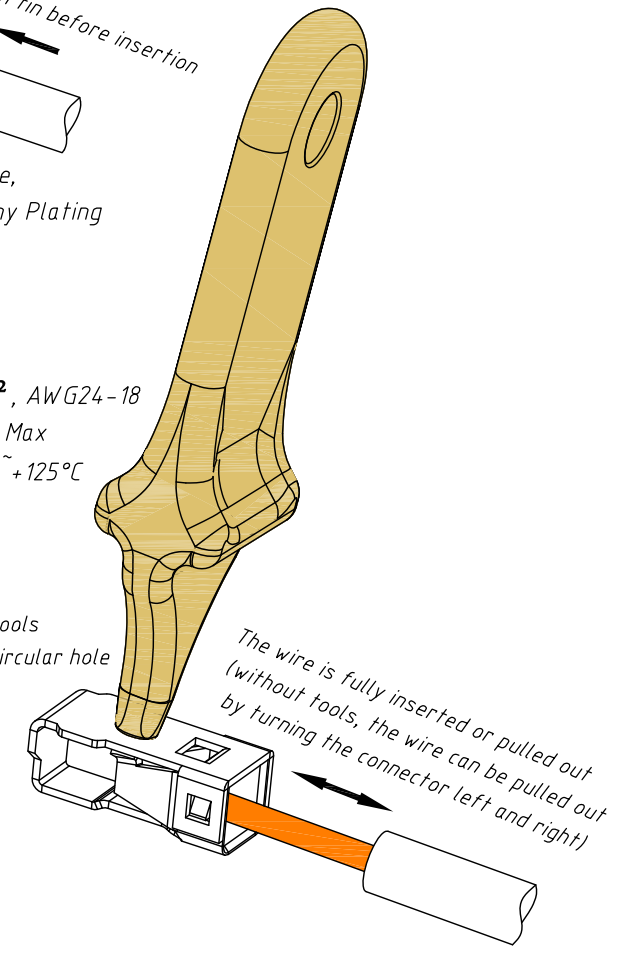
REV	SYM	Revision Record	Appr.	Date
V0	KLS01188	New Version Release	Song	2024-03-27



Single stranded hard wire can be directly inserted
 Multiple strands of wire must be twisted with tin before insertion

- Notes:
- Material: Phosphor Bronze,
 $T=0.30\text{mm}$, Tin antimony Plating
 - Electric:
 Rated Current: 9A
 Rated Voltage: 250V
 Wiring Square: $0.2-0.75\text{mm}^2$, AWG24-18
 Contact Resistance: $20\text{m}\ \Omega$ Max
 Temperature Range: $-45^\circ\text{C} \sim +125^\circ\text{C}$
 - Packing: Reel

Insert terminals with special tools
 Open the shrapnel inside the circular hole



ANGLE TOLERANCE	PROJECTION	Description:	LED Lighting Connectors	
$\pm 3^\circ$				
GENERAL TOLERANCE	UNITS	mm	KLS P/N:	L-KLS2-L118
x.x ± 0.30	SHEET SIZE	A4		
x.xx ± 0.20	Draw:	Song	2024-03-27	NingBo KLS ELECTRONIC CO.,L.TD.
x.xxx ± 0.10	Check:	Daniel	2024-03-27	