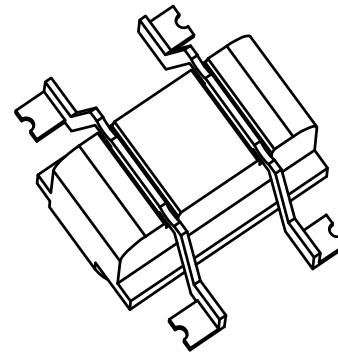
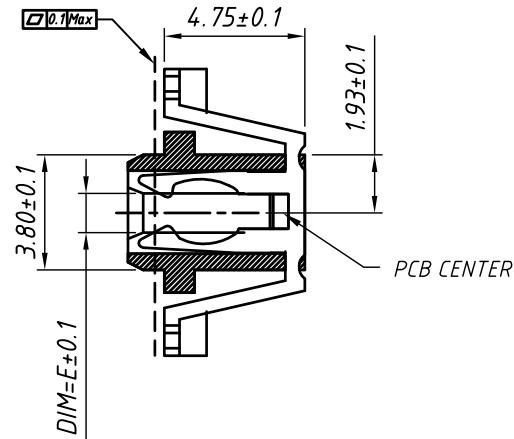
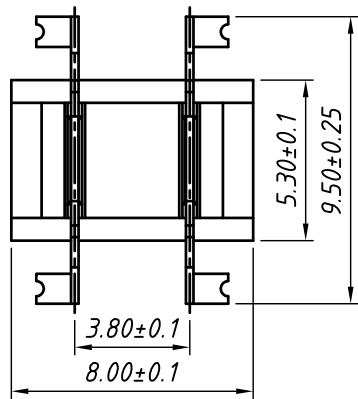
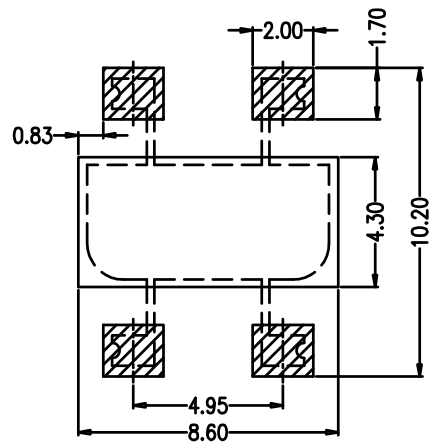


1 RoHS Compliant

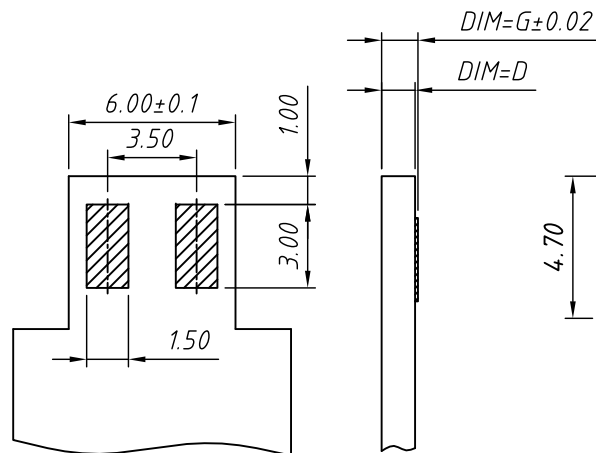


MATERIAL
 Insulator: LCP, UL 94V-0, WHITE
 Contacts: Phosphor Bronze, Tin-plated

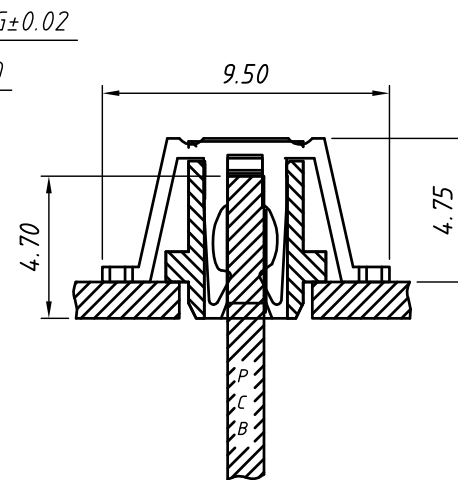
Main Specifications
 Poles: 02P
 Thickness: 1.0 ~ 1.2mm
 Contact Resistance: $\leq 20m\Omega$
 Insulation Resistance: $\geq 1000M\Omega$
 Rated Voltage: 250V AC DC
 Rated Current: 1.0A AC DC
 Withstanding Voltage: 1000V AC/minute
 Temperature Range: $-40^{\circ}C \sim +120^{\circ}C$



Board Layout
 General Tolerance: ± 0.05

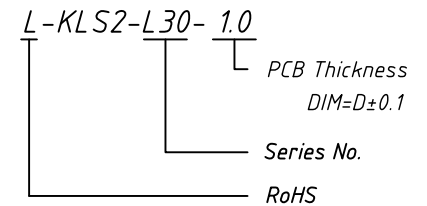


MATING PCB DETAIL



ASSEMBLY LAYOUT

Order Information



PCB Thickness		
DIM=D	DIM=E	DIM=G
1.0	1.10	1.05
1.2	1.30	1.25

ANGLE TOLERANCE X. $\pm 2^{\circ}$	PROJECTION		Description:	EDGE Connector for LED
	UNITS	mm	Lighting, Pitch 3.5mm	
GENERAL TOLERANCE	SHEET SIZE	A4	Date	2018-11-10
	Date	2018-11-10	KLS P/N:	L-KLS2-L30-XX
X. ± 0.5	Draw	Daniel		NingBo KLS ELECTRONIC CO.,L TD.
.X ± 0.3	Check			
.XX ± 0.25	SHEET	1 OF 1		