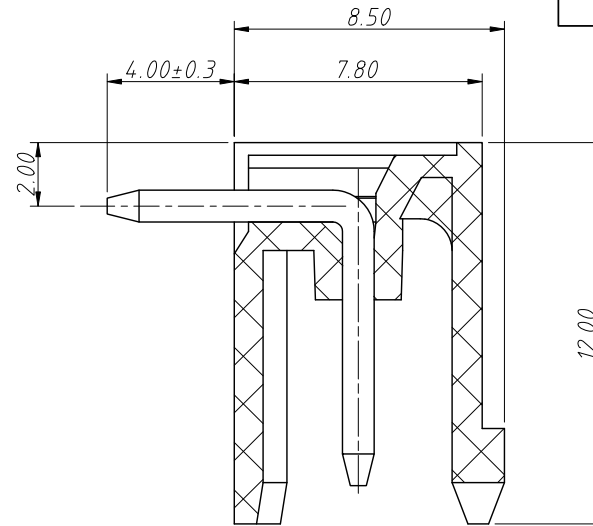
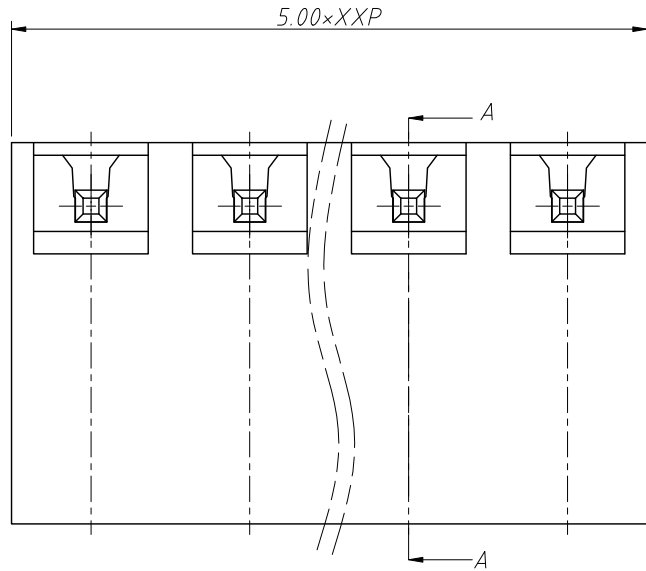


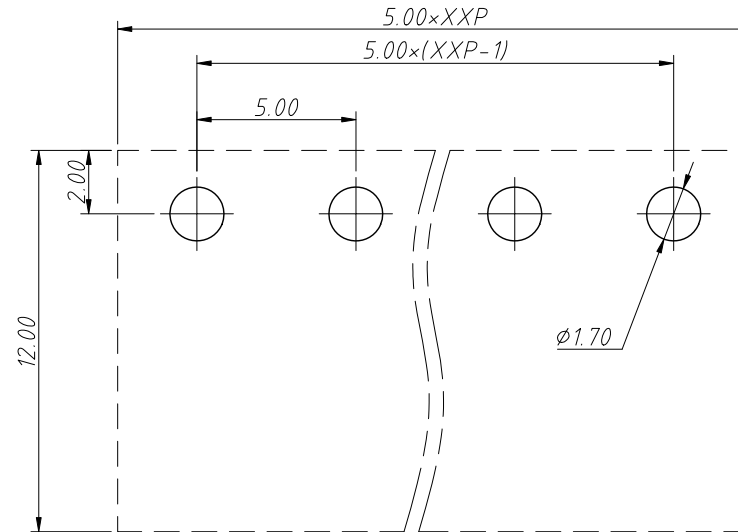
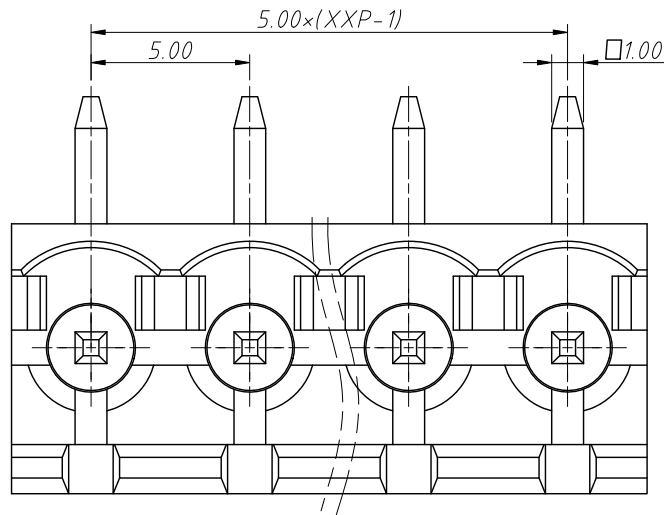
1 RoHS Compliance

REV	SYM	Revision Record	Appr.	Date
V0	KLS02006	New Version Release	WuHao	2024-09-26



Electrical Characteristics	UL	IEC
Rated Voltage	300V	450V
Rated Current	15A	17.5A
Withstand Voltage	AC2000V/1min	---

Material and other:
 Housing: PA66, UL94 V-0
 Pin Header: Brass, Tin Plated
 Contact resistance: 20mΩ
 Insulation resistance: 500MΩ/DC500V
 Temp. Range: -40°C ~ +105°C
 MAX Soldering: +250°C, for 5 Sec



Recommended PCB Layout

Order Information
 L-KLS2-EDR-5.00-XXP-X

RoHS
 Terminal Block
 Pitch: 5.00mm
 No. Of (02~24) Pin
 Color:
 1=Gray 2=Blue 3=Black
 4=Green 5=Orange 6=Red
 7=Transp 8=Yellow 9=White

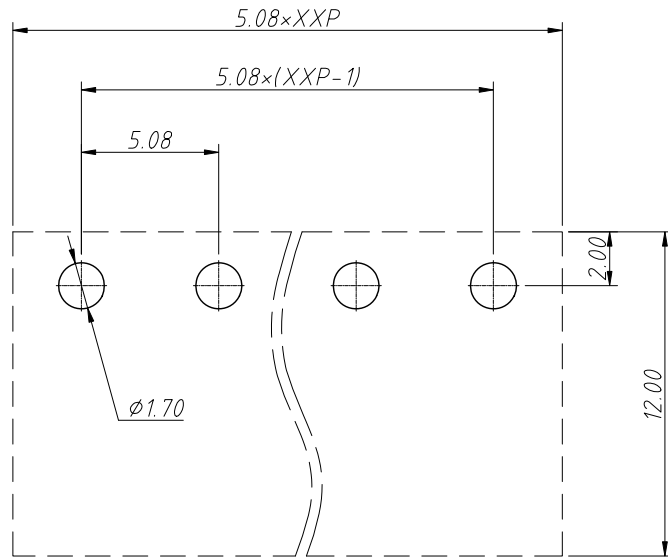
ANGLE TOLERANCE	PROJECTION	Description:
±3°		Pitch 5.00mm Pluggable Terminal Block, Socket
GENERAL TOLERANCE	UNITS	mm
0~30	±0.50	
30~60	±0.75	
60~90	±1.00	
SHEET SIZE	A4	
Draw:	WuHao	2024-09-26
Check:	Daniel	2024-09-26
KLS P/N:		L-KLS2-EDR-5.00-XXP-X



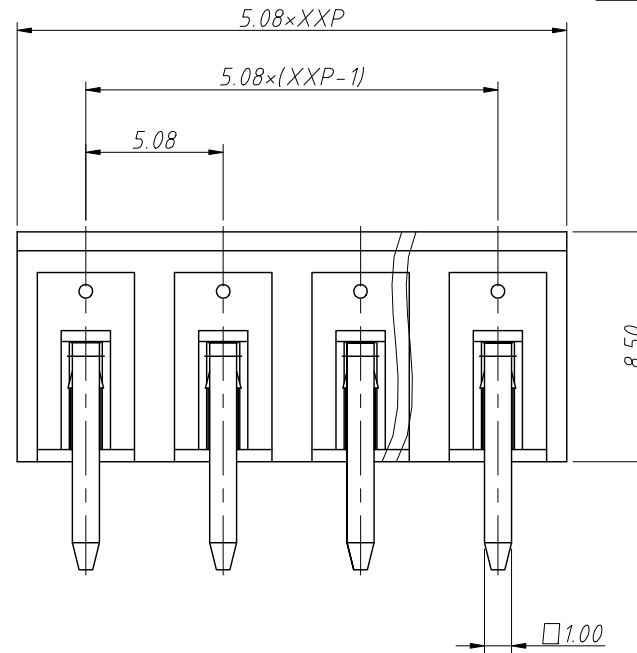
NingBo KLS ELECTRONIC CO.,LTD.

1 RoHS Compliance

REV	SYM	Revision Record	Appr.	Date
V0	KLS02006	New Version Release	WuHao	2024-09-26

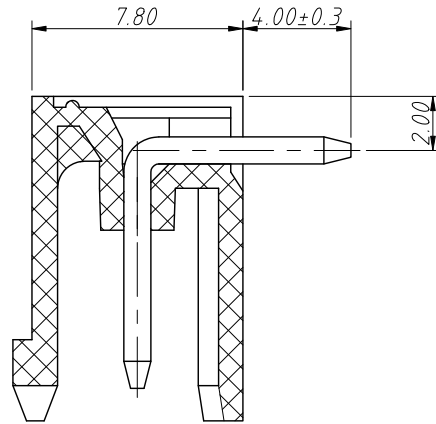


Recommended PCB Layout

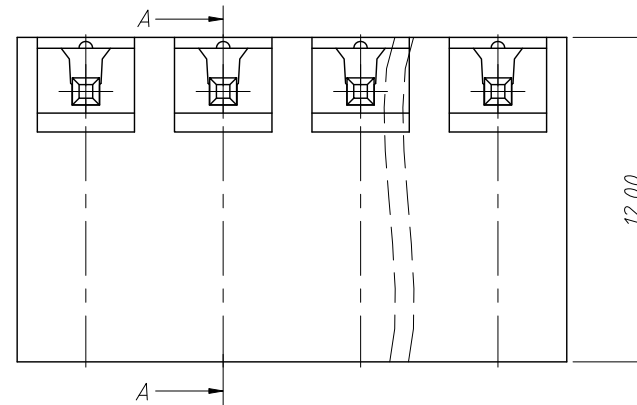


Electrical Characteristics	UL	IEC
Rated Voltage	300V	450V
Rated Current	15A	17.5A
Withstand Voltage	AC2000V/1min	---

Material and other:
 Housing:PA66, UL94 V-0
 Pin Header:Brass, Tin Plated
 Contact resistance:20mΩ
 Insulation resistance:500MΩ/DC500V
 MAX Soldering:+250°C, for 5 Sec
 Temp. Range:-40°C ~ +105°C



SECTION:A-A



Order Information
 L-KLS2-EDR-5.08-XXP-X

RoHS
 Terminal Block
 Pitch:5.08mm
 No.:Of (02~24) Pin
 Color:
 1=Gray 2=Blue 3=Black
 4=Green 5=Orange 6=Red
 7=Transp 8=Yellow 9=White

ANGLE TOLERANCE	PROJECTION	Description:
±3°		Pitch 5.08mm Pluggable Terminal Block,Socket
GENERAL TOLERANCE	UNITS	mm
0~30	±0.50	SHEET SIZE
30~60	±0.75	Draw:
60~90	±1.00	Check:
		KLS P/N:
		L-KLS2-EDR-5.08-XXP-X
		WuHao 2024-09-26
		Daniel 2024-09-26



NingBo KLS ELECTRONIC CO.,L TD.