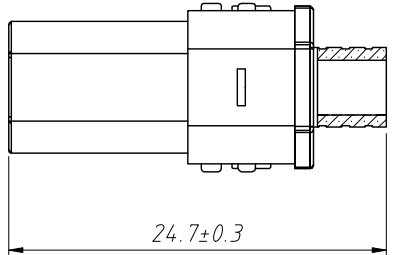
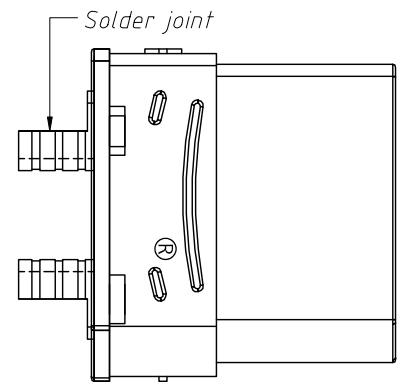
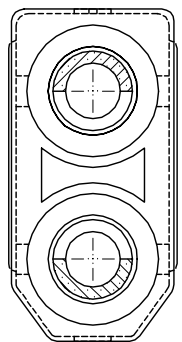
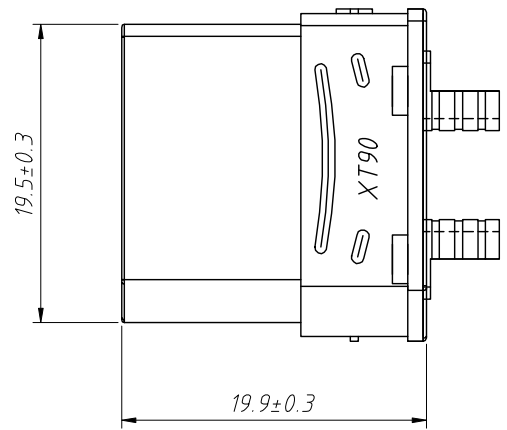
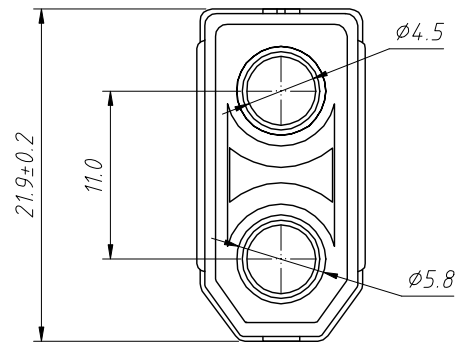
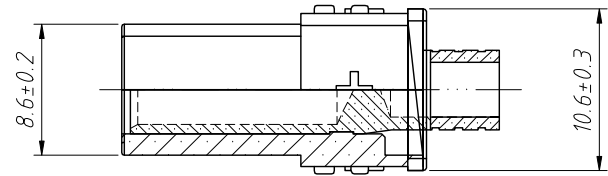


1
RoHS Compliance

6	7	8
REV	SYM	Revision Record
V0	KLS01633	New Version Release
Appr.	Jenny	Date
		2024-10-24

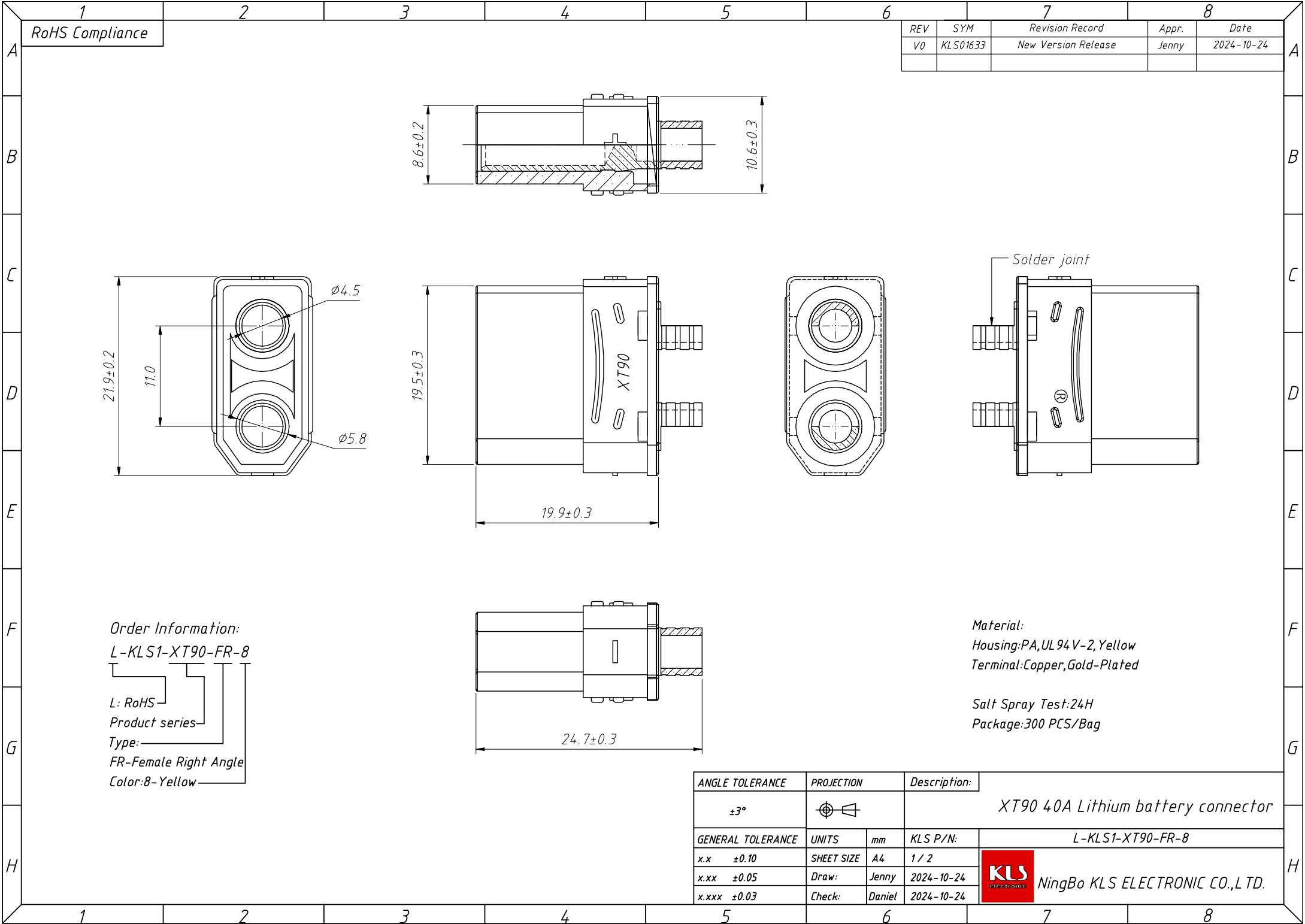


Order Information:
 L-KLS1-XT90-FR-8
 L: RoHS
 Product series
 Type:
 FR-Female Right Angle
 Color:8-Yellow

Material:
 Housing:PA,UL94V-2,Yellow
 Terminal:Copper,Gold-Plated

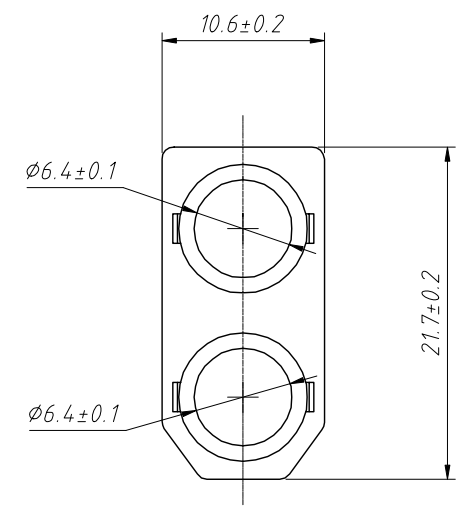
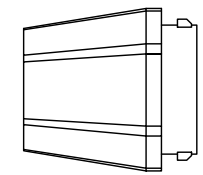
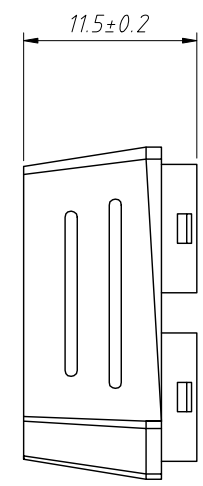
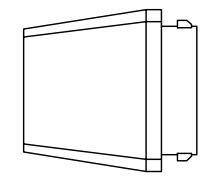
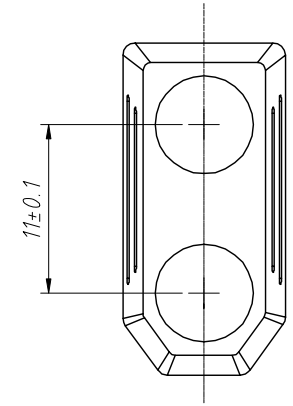
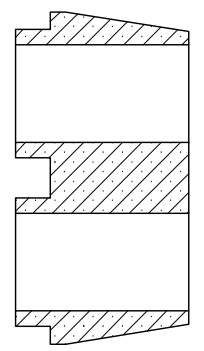
Salt Spray Test:24H
 Package:300 PCS/Bag

ANGLE TOLERANCE	PROJECTION	Description:
±3°		XT90 40A Lithium battery connector
GENERAL TOLERANCE	UNITS	mm
x.x ±0.10	SHEET SIZE	A4
x.xx ±0.05	Draw:	Jenny
x.xxx ±0.03	Check:	Daniel
KLS P/N:		L-KLS1-XT90-FR-8
KLS ELECTRONIC		NingBo KLS ELECTRONIC CO.,LTD.



1
RoHS Compliance

6		7		8	
REV	SYM	Revision Record		Appr.	Date
V0	KLS01633	New Version Release		Jenny	2024-10-24



ANGLE TOLERANCE	PROJECTION		Description:		
±3°			Line cap Yellow		
GENERAL TOLERANCE	UNITS	mm	KLS P/N:	L-KLS1-XT90-FR-8	
x.x ±0.10	SHEET SIZE	A4	2 / 2	NingBo KLS ELECTRONIC CO.,L TD.	
x.xx ±0.05	Draw:	Jenny	2024-10-24		
x.xxx ±0.03	Check:	Daniel	2024-10-24		