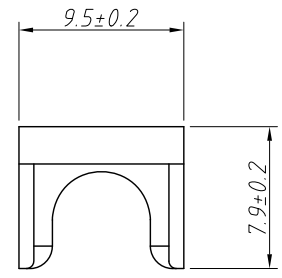
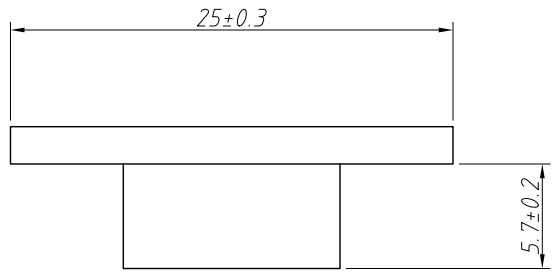
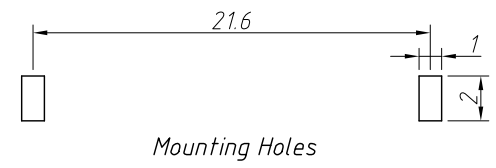
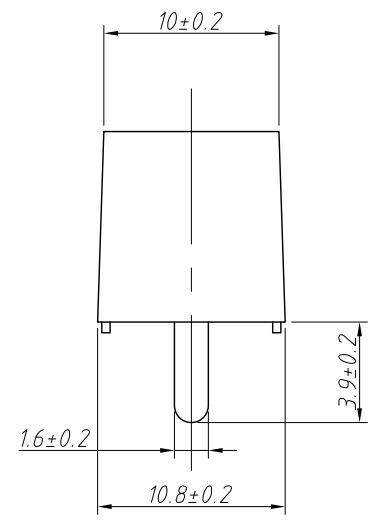
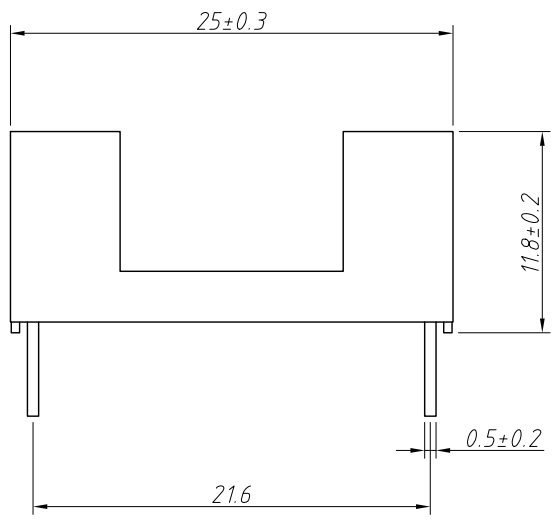


6		7		8	
REV	SYM	Revision Record		Appr.	Date
V0	KLS05004	New Version Release		WuHao	2024-11-15



Materials:
Housing: Flame-Retarded Plastic, Black
Pin: Brass, Tin Plated
Suitable Fuse: $\phi 5.2 \times 20$ mm

Electrical:
Rating Current: 6.3A
Rating Voltage: 250V AC



ANGLE TOLERANCE	PROJECTION	Description:			
$\pm 3^\circ$		PCB Fuse Holders			
GENERAL TOLERANCE	UNITS	mm	KLS P/N:	KLS5-242	
x.x ± 0.30	SHEET SIZE	A4	Draw:	WuHao	2024-11-15
x.xx ± 0.20	Draw:	Daniel	2024-11-15	NingBo KLS ELECTRONIC CO.,L TD.	
x.xxx ± 0.10	Check:	Daniel	2024-11-15		