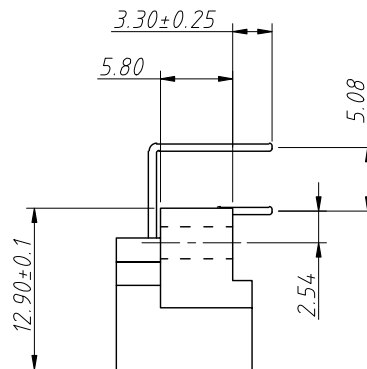
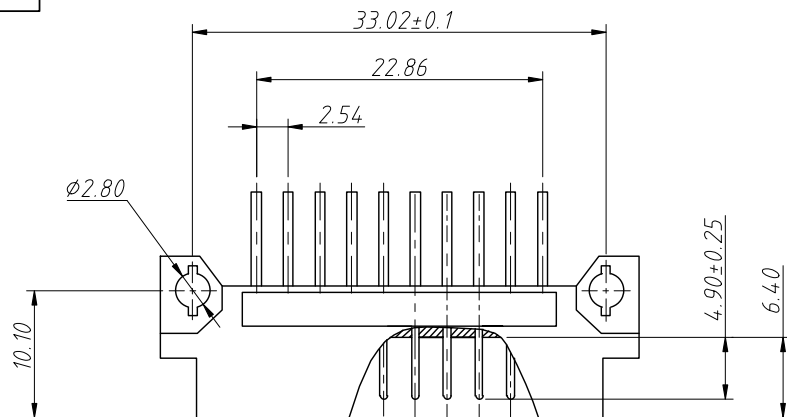


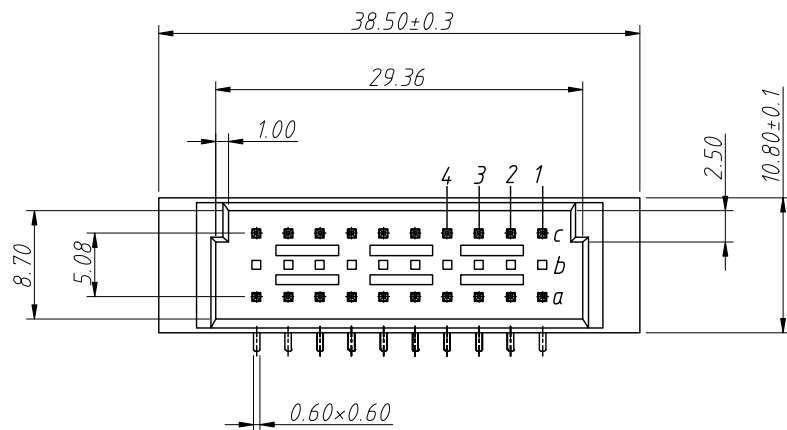
1 RoHS Compliance

REV	SYM	Revision Record	Appr.	Date
V0	KLS01011	New Version Release	Song	2024-09-23



Note:
 Material:
 Housing:PBT+30%G.F UL 94 V-0
 Contacts:Copper Alloy

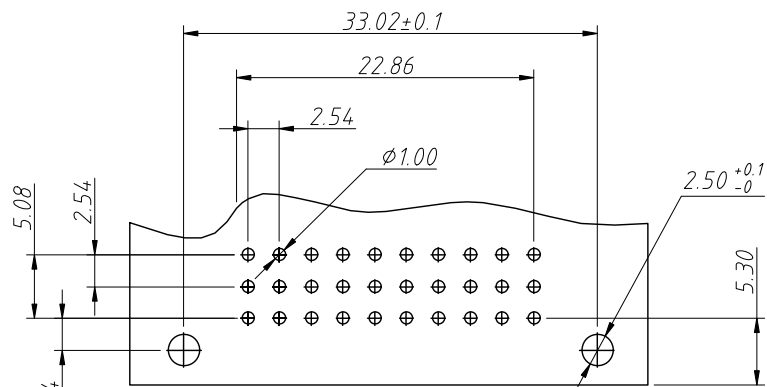
Electrical
 Current Rating:2 A
 Contact Resistance:20 mΩ Initial
 Insulation Resistance:1000 MΩ Min @ 500 VDC
 Dielectric Withstanding Voltage:1000 VAC / Minute
 Operating Temperature:-55°C To +125°C



Order Information
 L-KLS1-D3Q-3220-M R

RoHS
 Series NO.
 3x10Pin, Short Type
 M-Male
 R-Right Pin

Pitch	Position	Rows with Contact	Contact Arrange	Part Number
2.54	30	a b c		3330
	20	a - c		3220
	20	a b -		3220A
	10	a - -		3110
5.08mm	15	a b c		3315
	10	a - c		3210
	10	a b -		3210A
	5	a - -		3105



Recommended PCB Layout
 Tolerance:±0.05mm

ANGLE TOLERANCE	PROJECTION	Description:		
±3°		DIN 41612 Connector, Short Type		
GENERAL TOLERANCE	UNITS	mm	KLS P/N:	L-KLS1-D3Q-XXXX-MR
.x ±0.30	SHEET SIZE	A4		
.xx ±0.20	Draw:	Song	2024-09-23	NingBo KLS ELECTRONIC CO.,L TD.
.xxx ±0.10	Check:	Daniel	2024-09-23	