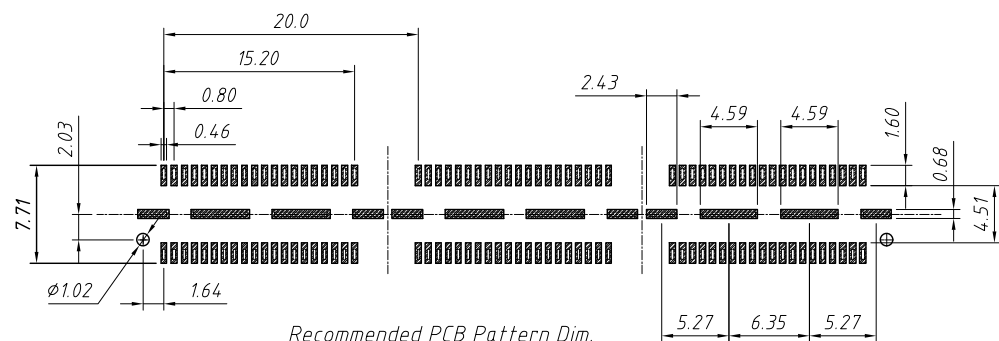
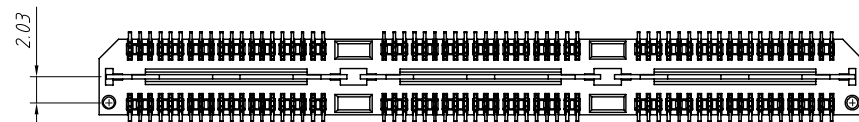
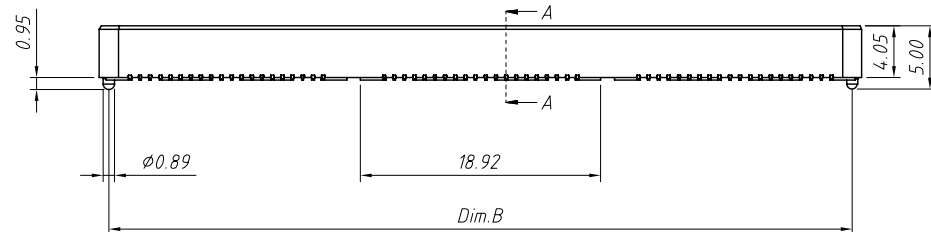
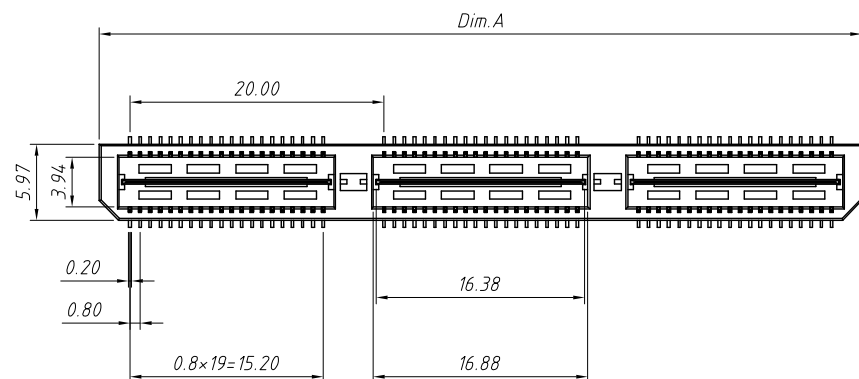


RoHS Compliance

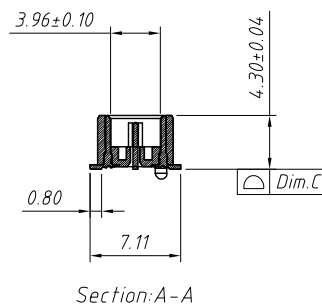


Recommended PCB Pattern Dim.
Tolerance: ±0.05

Circuit	A	B	C
28	20.00	18.48	0.10
56	40.00	38.48	0.10
84	60.00	58.48	0.15
112	80.00	78.48	0.15
140	100.00	98.48	0.15

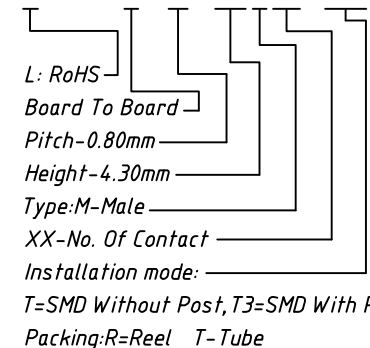
Material and Plated
 1.Housing:High Temp Plastic,(LCP UL94V-0)
 2.Contact:Copper Alloy
 3.Plated:Gold Plated 10U"
 4.Package:1000PCS/Reel

Specifications:
 1.Current Rating:1.0A AC/DC
 2.Voltage Rating:250V AC/DC
 3.Contact Resistance:30mΩ. max.
 4.Insulation Resistance:1000MΩ. min.
 5.Withstanding Voltage:250V AC for one minute
 6.Operating Temperature Range:-40°C to + 85°C



Order Information:

L-KLS1-B0608-430MXX-T3R

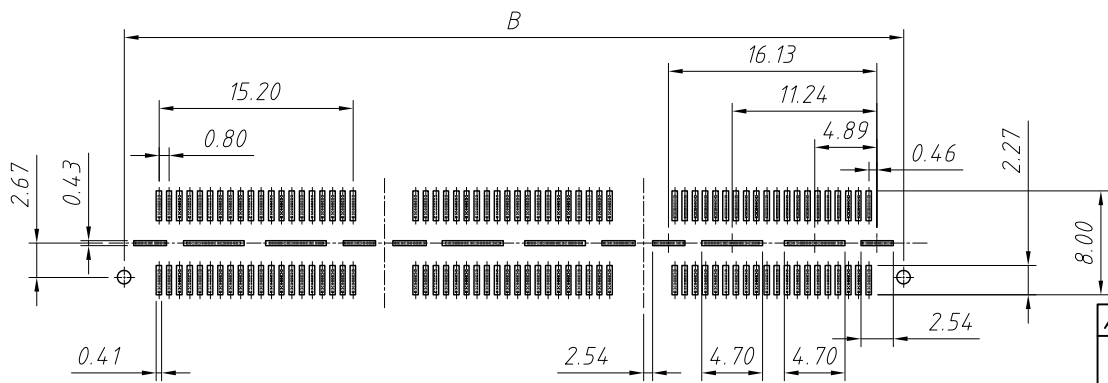
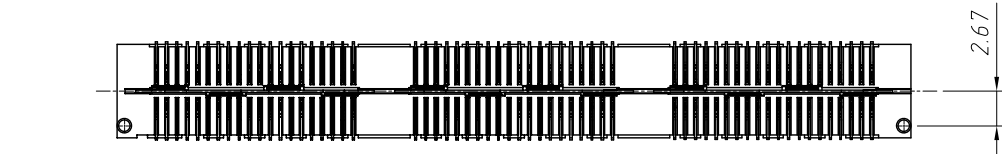
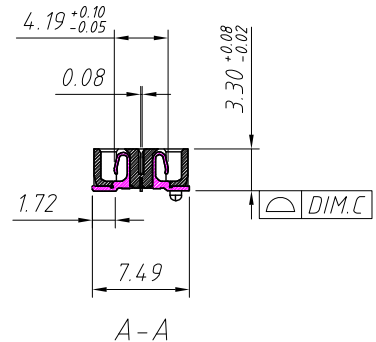
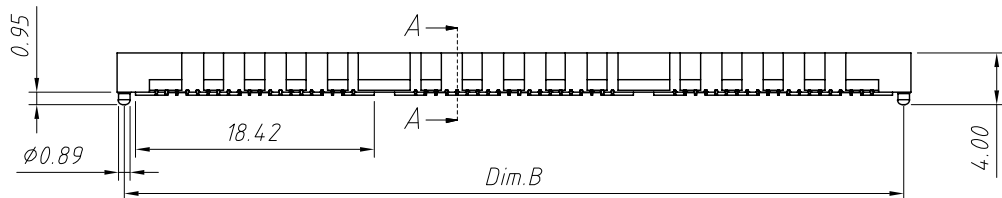
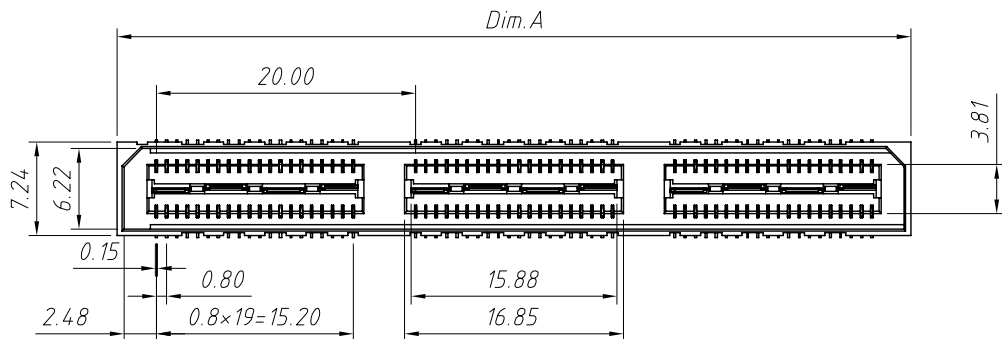


ANGLE TOLERANCE	PROJECTION	Description:	
±3°		0.8mm Board To Board Plug 4.30mm Height	
GENERAL TOLERANCE	UNITS	mm	KLS P/N:
x.x ±0.30	SHEET SIZE	A4	L-KLS1-B0608-430MXX-T3R
x.xx ±0.20	Draw:	Daniel	2020-11-11
x.xxx ±0.10	Check:	Daniel	2020-11-11



NingBo KLS ELECTRONIC CO.,LTD.

1 RoHS Compliance



Recommended P.C.B Pattern DIM
Tolerance: ±0.05

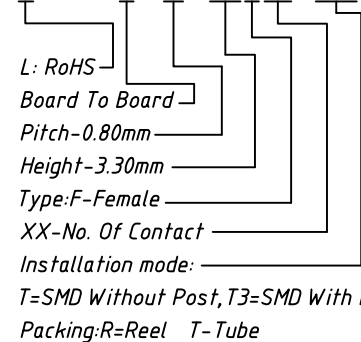
Material and Plated
 1.Housing:High Temp Plastic,(LCP UL94V-0) Black
 2.Contact:Phosphor Bronze
 3.Plated:Selective Gold Plated 10u"
 4.Package:1000pcs/Reel

Specifications:
 1.Current Rating:1.0A AC/DC
 2.Voltage Rating:250V AC/DC
 3.Contact Resistance:30mΩ. max.
 4.Insulation Resistance:1000MΩ. min.
 5.Withstanding Voltage:250V AC for one minute
 6.Operating Temperature Range:-40°C to + 85°C

Circuit	A	B	C
28	21.28	20.13	0.10
56	41.28	40.13	0.10
84	61.28	60.13	0.15
112	81.28	80.13	0.15
140	101.28	100.13	0.15

Order Information:

L-KLS1-B0608-330FXX-T3R

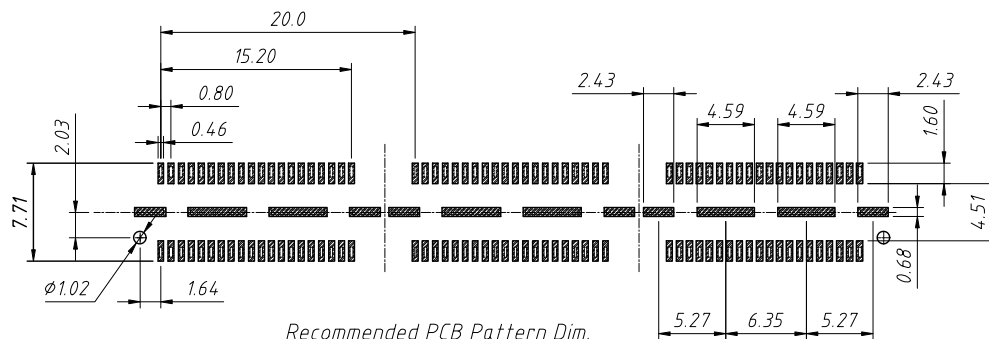
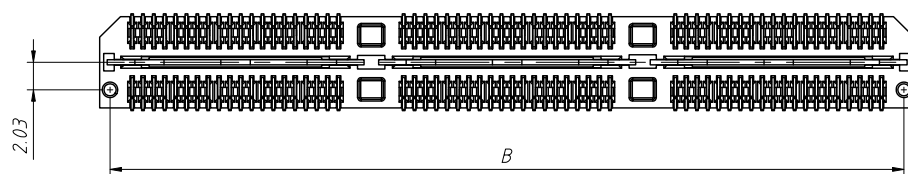
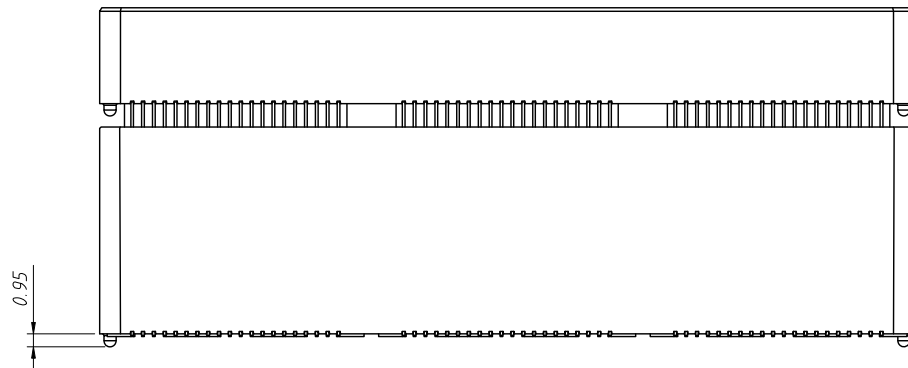
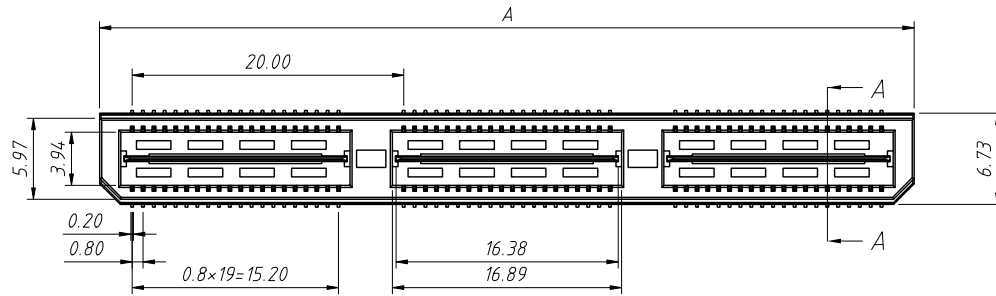


ANGLE TOLERANCE	PROJECTION	Description:	
±3°		0.8mm Board To Board Connector Socket H3.30 Type	
GENERAL TOLERANCE	UNITS	mm	KLS P/N:
x.x ±0.30	SHEET SIZE	A4	L-KLS1-B0608-330FXX-T3R
x.xx ±0.20	Draw:	Daniel	2020-11-11
x.xxx ±0.10	Check:	Daniel	2020-11-11

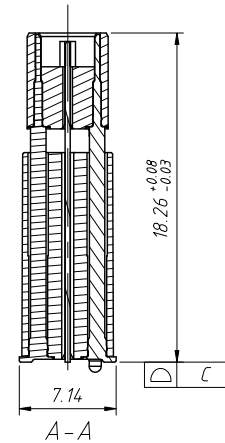
NingBo KLS ELECTRONIC CO.,L.TD.

RoHS Compliance

REV	SYM	Revision Record	Appr.	Date
V0	KLS01629	New Version Release	Jenny	2024-07-29



Recommended PCB Pattern Dim.
Tolerance: ±0.05



Circuit	A	B	C
40	20.00	18.48	0.10
80	40.00	38.48	0.10
120	60.00	58.48	0.15
160	80.00	78.48	0.15
200	100.00	98.48	0.15

Material and Plated

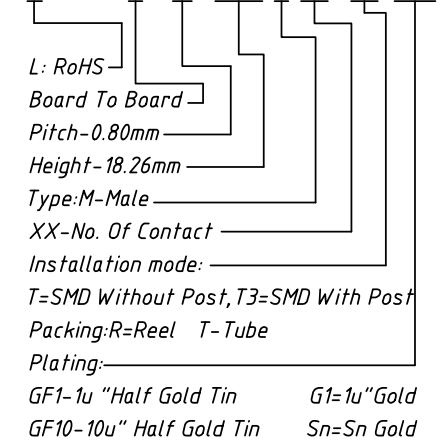
- 1.Housing:High Temp Plastic,(LCP UL94V-0)
- 2.Contact:Phosphor Bronze
- 3.Plated:Gold Plated 10U"
- 4.Package:1000PCS/Reel

Specifications:

- 1.Current Rating:1.0A AC/DC
- 2.Voltage Rating:250V AC/DC
- 3.Contact Resistance:30mΩ. max.
- 4.Insulation Resistance:1000MΩ. min.
- 5.Withstanding Voltage:250V AC for one minute
- 6.Operating Temperature Range:-40°C to + 85°C

Order Information:

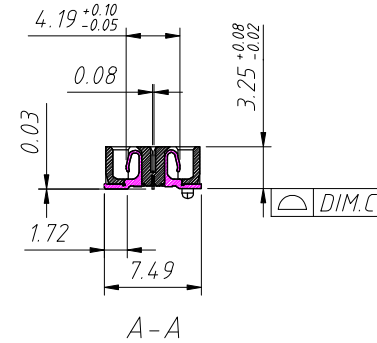
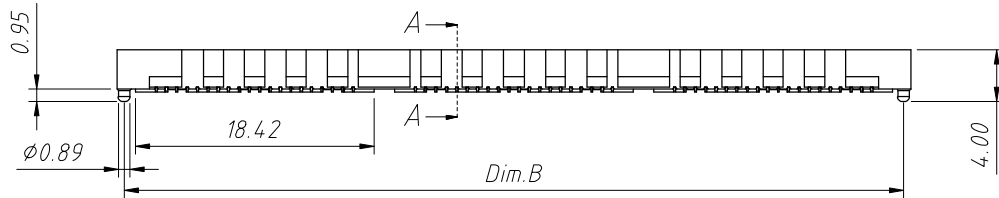
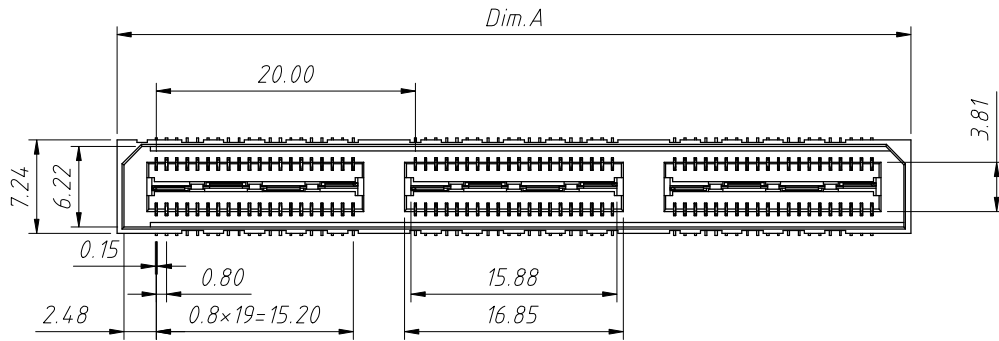
L-KLS1-B0608-1826 M XX-TR-GF1



ANGLE TOLERANCE	PROJECTION	Description:	0.8mm Board To Board Plug	
±3°				
GENERAL TOLERANCE	UNITS	mm	KLS P/N:	L-KLS1-B0608-1826MXX-TR-GF1
x.x ±0.30	SHEET SIZE	A4		
x.xx ±0.20	Draw:	Jenny	2024-07-29	NingBo KLS ELECTRONIC CO.,L TD.
x.xxx ±0.10	Check:	Daniel	2024-07-29	

RoHS Compliance

REV	SYM	Revision Record	Appr.	Date
V0	KLS01629	New Version Release	Jenny	2024-07-29



Material and Plated

- 1.Housing:High Temp Plastic,(LCP UL94V-0) Black
- 2.Contact:Phosphor Bronze
- 3.Plated:Selective Gold Plated 10u"
- 4.Package:1000pcs/Reel

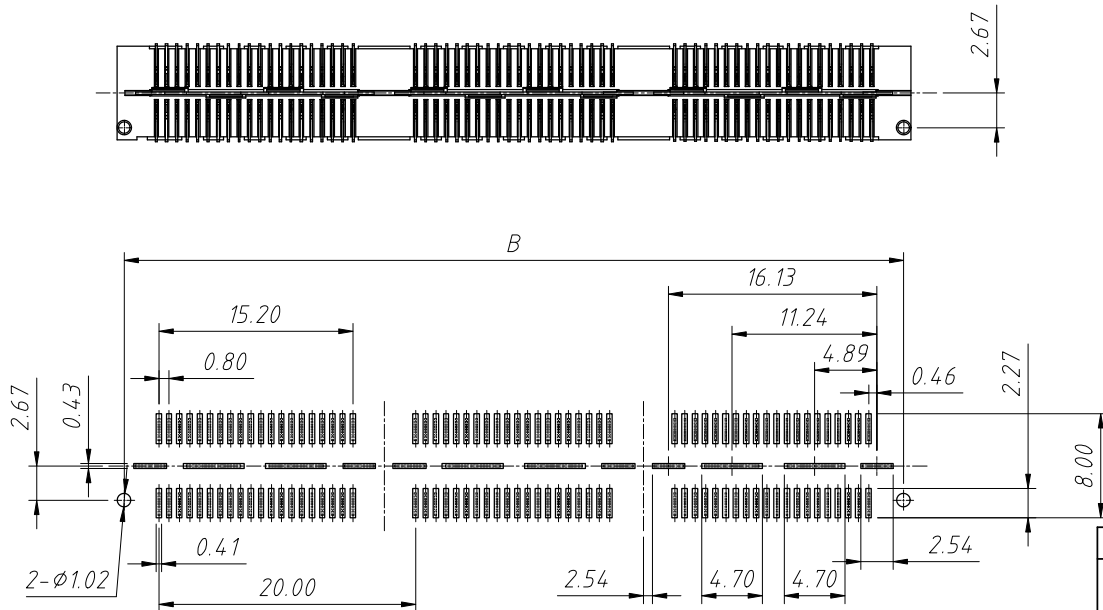
Specifications:

- 1.Current Rating:1.0A AC/DC
- 2.Voltage Rating:250V AC/DC
- 3.Contact Resistance:30mΩ. max.
- 4.Insulation Resistance:1000MΩ. min.
- 5.Withstanding Voltage:250V AC for one minute
- 6.Operating Temperature Range:-40°C to + 85°C

Order Information:

L-KLS1-B0608-325 F XX-T3R-GF1

- L: RoHS
- Board To Board
- Pitch-0.80mm
- Height-3.25mm
- Type:F-Female
- XX-No. Of Contact
- Installation mode:
- T=SMD Without Post, T3=SMD With Post
- Packing:R=Reel T-Tube
- Plating:
- GF1-1u "Half Gold Tin G1=1u" Gold
- GF10-10u" Half Gold Tin Sn=Sn Gold



Recommended P.C.B Pattern DIM
Tolerance:±0.05

Circuit	A	B	C
40	21.28	20.13	0.10
80	41.28	40.13	0.10
120	61.28	60.13	0.15
160	81.28	80.13	0.15
200	101.28	100.13	0.15

ANGLE TOLERANCE	PROJECTION	Description:	0.8mm Board To Board Connector Socket H3.25 Type
±3°			
GENERAL TOLERANCE	UNITS	mm	KLS P/N:
x.x ±0.30	SHEET SIZE	A4	L-KLS1-B0608-325FXX-T3R-GF1
x.xx ±0.20	Draw:	Jenny	2024-07-29
x.xxx ±0.10	Check:	Daniel	2024-07-29



NingBo KLS ELECTRONIC CO.,L TD.