

1 RoHS Compliance

REV	SYM	Revision Record	Appr.	Date
V0	KLS01323	New Version Release	Jenny	2024-07-30

Material:

- Housing: High Temperature Resistant Plastic, UL 94 V-0, Black
- Contact: Copper Alloy, (C7025 T=0.15) Ni 50u"Min. Under Plated Over All Au Plated on contact area
- Mid Plate: Stainless Steel (SUS301), Clear Only
- Front Shell: Stainless Steel (SUS304) Ni 30u"Min, Under Plated Over All
- Top Shell: Stainless Steel (SUS304) Ni 30u"Min, Under Plated Over All

Electrical Characteristics:

- Voltage Rating: 5V DC/AC (RMS Max)
- Current Rating: 5A MPS for total vbus/gnd pins
1.25A MPS for CC pin
0.25AMPS for all other contact

LLCR:

- VBUS & GND Pins and other Pins: 40mΩ / pin Max
- Shield: 50mΩ / Max
- LLCR Max. Change of all pins: 10mΩ
- Insulation Resistance: 100MΩ Min.
- Dielectric Withstanding Voltage: AC 100V for 1 minute.

Operating Temperature: -25°C ~ +85°C

Insertion Force: 0.5 ~ 2.0kgf

Removal Force: 0.8 ~ 2.0kgf

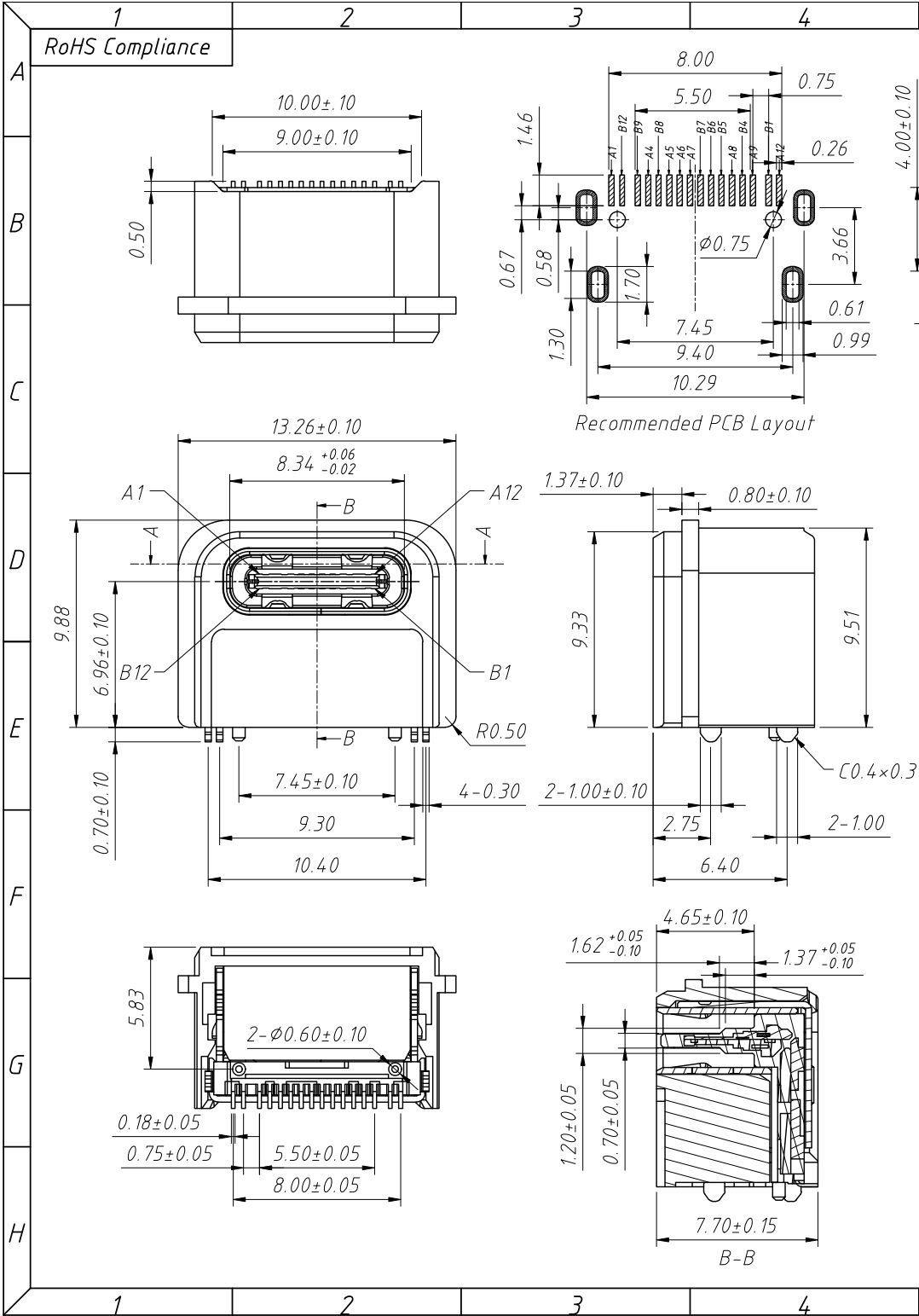
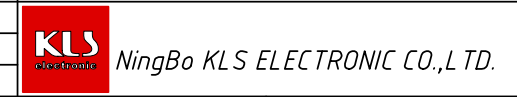
Durability: 10000 Cycles

Reflow:

The Peak Temperature on the board Shall be Maintained For 10 Seconds at 260°C

ANGLE TOLERANCE: $\pm 3^\circ$ PROJECTION:  Description: SMT USB Type-C 16P IPX7 Waterproof Connector

GENERAL TOLERANCE	UNITS	mm	KLS P/N:	L-KLS1-PUB-022-R
x.x	± 0.30	SHEET SIZE	A4	
x.xx	± 0.20	Draw:	Jenny	2024-07-30
x.xxx	± 0.10	Check:	Daniel	2024-07-30



A1	GND	B12	GND
A4	VBUS	B9	VBUS
A5	CC1	B8	SBU2
A6	DP1	B7	DN2
A7	DN1	B6	DP2
A8	SBU1	B5	CC2
A9	VBUS	B4	VBUS
A12	GND	B1	GND
Pin	Signal Name	Pin	Signal Name