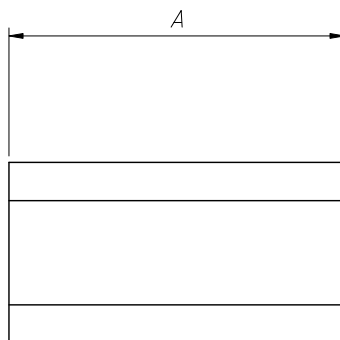
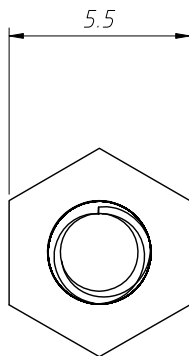


1
RoHS Compliance

REV	SYM	Revision Record	Appr.	Date
V0	KLS08011	New Version Release	Jenny	2024-08-02



Notes:

Material:PA66,UL 94 V-2,Natural

Working temperature:0°C~80°C

Dipping Bibulous: 2.5% at 20°C 24H 50% Humidity

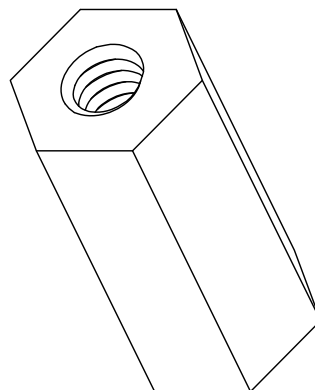
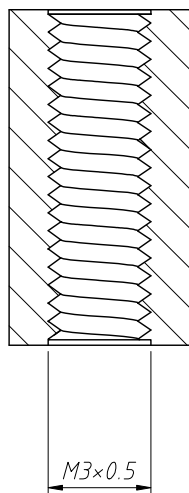
Withstand Voltage:2500V/0.5mA/1m

Heat Resistance:B-130°C

(30m without melting at 200 °C)

Application:The fixed PC board on the boards,free tools.

This Product Does Not Contain Lead (Pb), Mercury (Hg), Cadmium (Cd), Hexavalent (Cr VI).



KLS P/N	A size	KLS P/N	A size
0215-M3-04	4.0	0215-M3-18	18.0
0215-M3-05	5.0	0215-M3-19	19.0
0215-M3-06	6.0	0215-M3-20	20.0
0215-M3-07	7.0	0215-M3-22	22.0
0215-M3-08	8.0	0215-M3-25	25.0
0215-M3-09	9.0	0215-M3-27	27.0
0215-M3-9.5	9.5	0215-M3-30	30.0
0215-M3-10	10.0	0215-M3-32	32.0
0215-M3-12	12.0	0215-M3-35	35.0
0215-M3-12A	12.7	0215-M3-38	38.0
0215-M3-13	13.5	0215-M3-40	40.0
0215-M3-14	14.0	0215-M3-42	42.0
0215-M3-15	15.0	0215-M3-45	45.0
0215-M3-16	16.0	0215-M3-49	49.0
0215-M3-17	17.0	0215-M3-50	50.0

ANGLE TOLERANCE	PROJECTION	Description:	PCB spacer supports	
±3°				
GENERAL TOLERANCE	UNITS	mm	KLS P/N:	L-KLS8-0215-M3-XX
x.x ±0.30	SHEET SIZE	A4		
x.xx ±0.20	Draw:	Jenny	2024-08-02	NingBo KLS ELECTRONIC CO.,L TD.
x.xxx ±0.10	Check:	Daniel	2024-08-02	