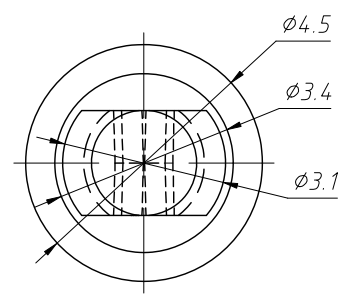
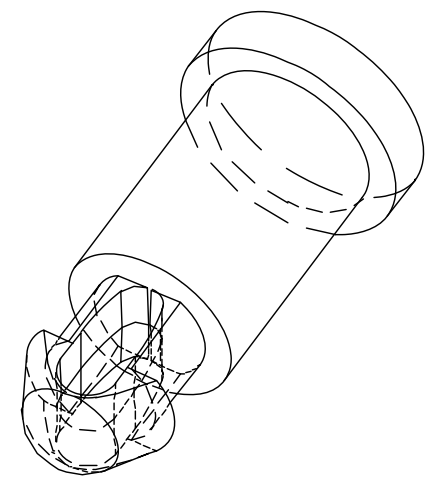
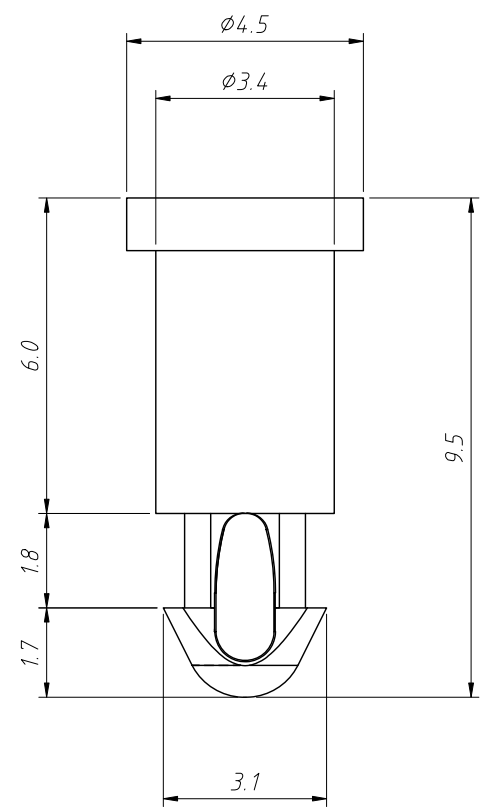


1
RoHS Compliance

6		7		8	
REV	SYM	Revision Record		Appr.	Date
V0	KLS08052	New Version Release		Jenny	2024-09-20



PCB Board Adaptation Hole: $\phi 2.5, T=1.6\text{mm} \sim 1.8\text{mm}$
 Material:
 Housing: PA66, UL94V-2, Natural

ANGLE TOLERANCE	PROJECTION	Description:			
$\pm 3^\circ$		PCB Spacer Support			
GENERAL TOLERANCE	UNITS	mm	KLS P/N:		
x.x ± 0.30	SHEET SIZE	A4	L-KLS8-0273-BSG-06		
x.xx ± 0.20	Draw:	Jenny	2024-09-20	NingBo KLS ELECTRONIC CO.,L TD.	
x.xxx ± 0.10	Check:	Daniel	2024-09-20		