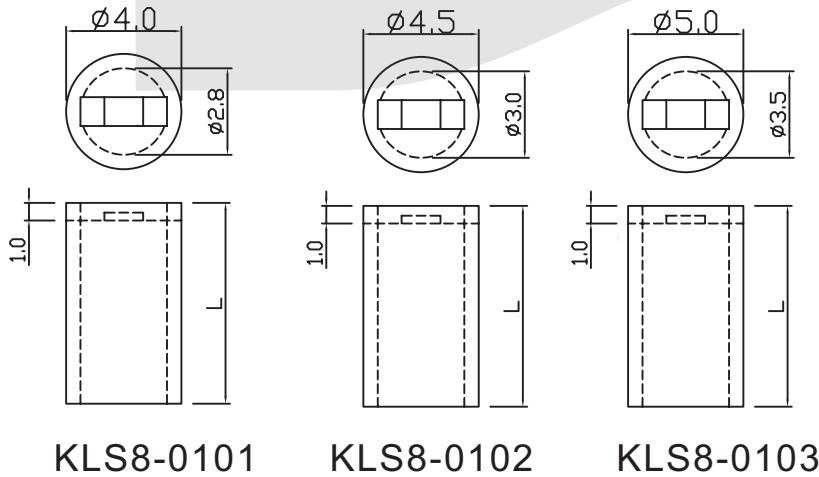


Led Spacer Support Series

KLS8-0101 Led Spacer Support Series

Material: UL approved Nylon 66, 94V-2
Unit:mm



VIII

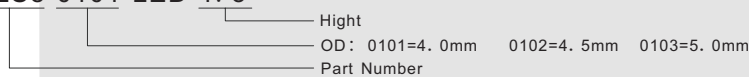
Model No.	L	Packaging
LED-1.5	1.5	2000
LED-2	2	
LED-2.5	2.5	
LED-3	3	
LED-3.5	3.5	
LED-4	4	
LED-4.5	4.5	
LED-5	5	
LED-5.5	5.5	
LED-6	6	
LED-6.5	6.5	
LED-6.8	6.8	
LED-7	7	
LED-7.5	7.5	
LED-8	8	
LED-8.5	8.5	
LED-8.8	8.8	
LED-9	9	
LED-9.5	9.5	
LED-10	10	

Model No.	L	Packaging
LED-10.5	10.5	2000
LED-11	11	
LED-11.5	11.5	
LED-12	12	
LED-12.5	12.5	
LED-13	13	
LED-13.5	13.5	
LED-14	14	
LED-14.5	14.5	
LED-15	15	
LED-15.5	15.5	
LED-16	16	
LED-16.5	16.5	
LED-17	17	
LED-17.5	17.5	
LED-18	18	
LED-18.5	18.5	
LED-19	19	
LED-19.5	19.5	
LED-20	20	

Model No.	L	Packaging
LED-20.5	20.5	1000
LED-21	21	
LED-21.5	21.5	
LED-22	22	
LED-22.5	22.5	
LED-23	23	
LED-23.5	23.5	
LED-24	24	
LED-24.5	24.5	
LED-25	25	
LED-25.5	25.5	
LED-26	26	
LED-26.5	26.5	
LED-27	27	
LED-27.5	27.5	
LED-28	28	
LED-28.5	28.5	
LED-29	29	
LED-29.5	29.5	
LED-30	30	

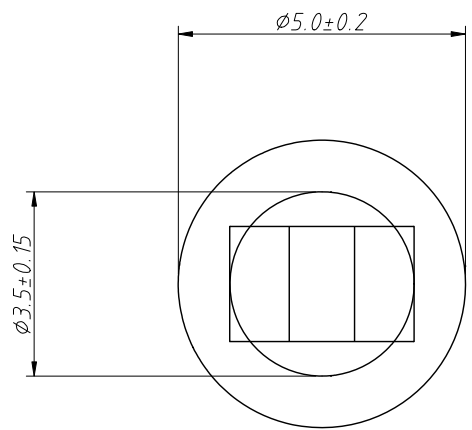
ORDER INFORMATION

KLS8-0101-LED-1.5



1
RoHS Compliance

6	7	8
REV	SYM	Revision Record
V0	KLS08011	New Version Release
Appr.	Jenny	Date
		2024-08-26

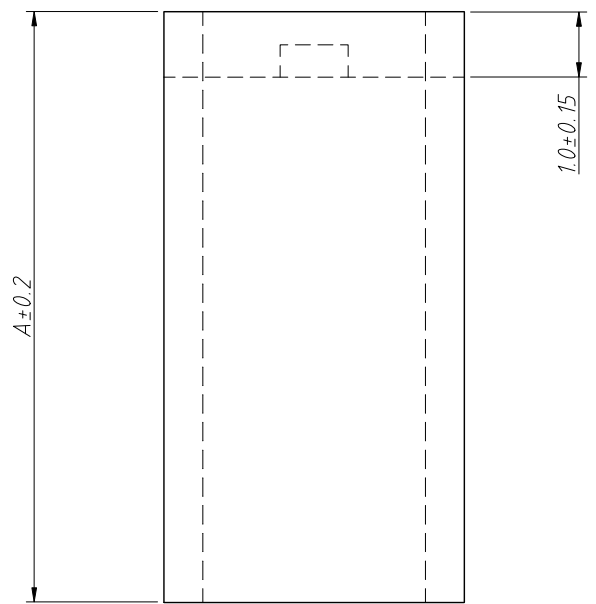


Part No.	A±0.2	Part No.	A±0.2
0103-LED-1.5	1.5	0103-LED-11.5	11.5
0103-LED-2	2.0	0103-LED-13.5	13.5
0103-LED-2.5	2.5	0103-LED-14	14.0
0103-LED-3	3.0	0103-LED-14.5	14.5
0103-LED-3.5	3.5	0103-LED-15	15.0
0103-LED-4	4.0	0103-LED-15.5	15.5
0103-LED-4.5	4.5	0103-LED-16	16.0
0103-LED-5	5.0	0103-LED-16.5	16.5
0103-LED-5.5	5.5	0103-LED-17.5	17.5
0103-LED-6	6.0	0103-LED-18	18.0
0103-LED-6.5	6.5	0103-LED-18.5	18.5
0103-LED-7	7.0	0103-LED-19	19.0
0103-LED-7.5	7.5	0103-LED-19.5	19.5
0103-LED-8	8.0	0103-LED-20	20.0
0103-LED-8.5	8.5	0103-LED-20.5	20.5
0103-LED-9	9.0	0103-LED-21.5	21.5
0103-LED-9.5	9.5	0103-LED-22	22.0
0103-LED-10	10.0	0103-LED-22.5	22.5
0103-LED-10.5	10.5	0103-LED-23	23.0
0103-LED-11	11.0	0103-LED-23.5	23.5

0103-LED-12	12.0	0103-LED-12.5	12.5
0103-LED-13	13.0	0103-LED-17	17.0
0103-LED-21	21.0	0103-LED-24	24.0
0103-LED-25	25.0	0103-LED-24.5	24.5
0103-LED-25.5	25.5	0103-LED-26	26.0

Notes:
 Material: PA66, UL 94 V-2, Natural
 Operating Temperature: 0°C ~ +80°C
 Withstanding Voltage: 2500V / 0.5mA / 1Sec
 Temperature Resistance: Class B 130°
 (Requires 200° Baking For 30 Minutes Without Melting)

Order Information
 L-KLS8-0103-LED-XX
 RoHS
 Length: XXmm



ANGLE TOLERANCE	PROJECTION	Description:
±3°		LED Spacing Column
GENERAL TOLERANCE	UNITS	KLS P/N:
x.x ±0.30	mm	L-KLS8-0103-LED-XX
x.xx ±0.20	SHEET SIZE	NingBo KLS ELECTRONIC CO.,L TD.
x.xxx ±0.10	A4	
	Draw: Jenny	
	Check: Daniel	2024-08-26