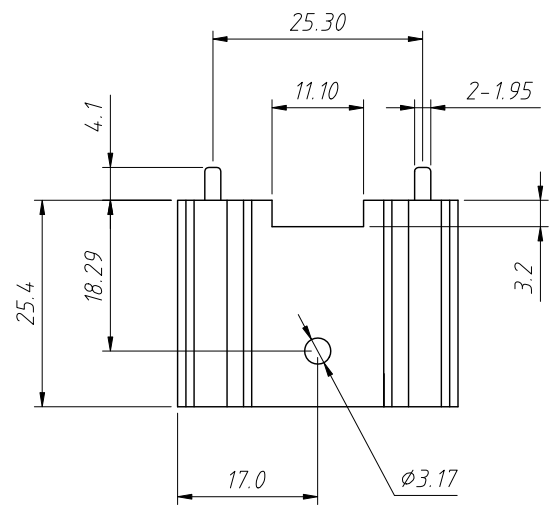
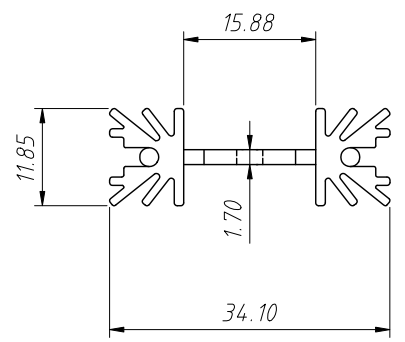


1
RoHS Compliance

6		7		8	
REV	SYM	Revision Record		Appr.	Date
V0	KLS20064	New Version Release		Jenny	2024-11-08



Technical requirement:
 Height: 25.4mm
 Type: Board Level
 Package Cooled: TO-220
 Attachment Method: PCin
 Shape: Rectangular, Fins
 Material: Aluminum
 Material Finish: BA-Black Anodized



ANGLE TOLERANCE	PROJECTION		Description:		
±3°			Extruded style heatsink for TO-220		
GENERAL TOLERANCE	UNITS	mm	KLS P/N:	L-KLS21-E1002-BA-H25.4-TO-220	
x.x ±0.30	SHEET SIZE	A4		NingBo KLS ELECTRONIC CO.,LTD.	
x.xx ±0.20	Draw:	Jenny	2024-11-08		
x.xxx ±0.10	Check:	Daniel	2024-11-08		