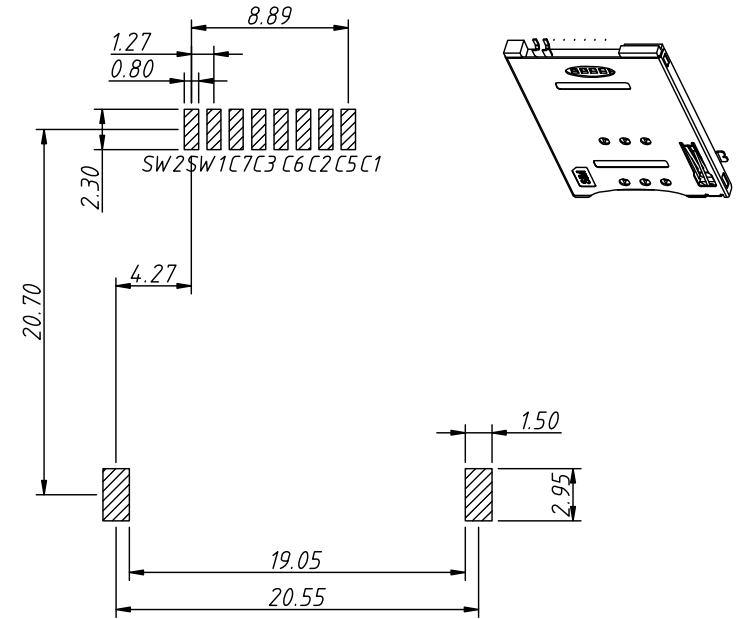
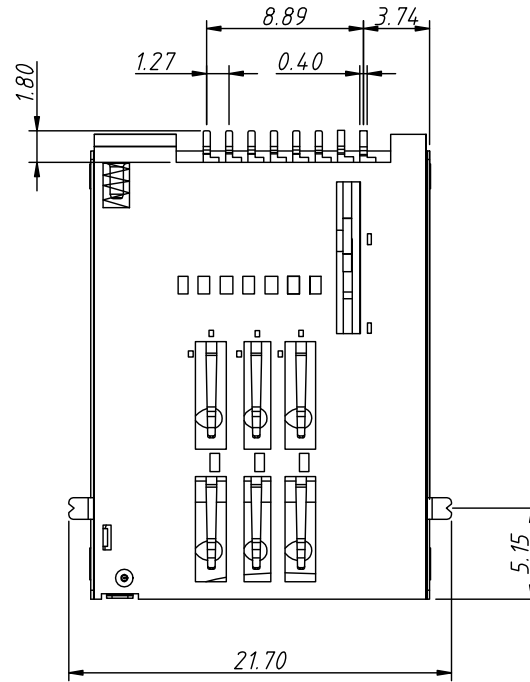
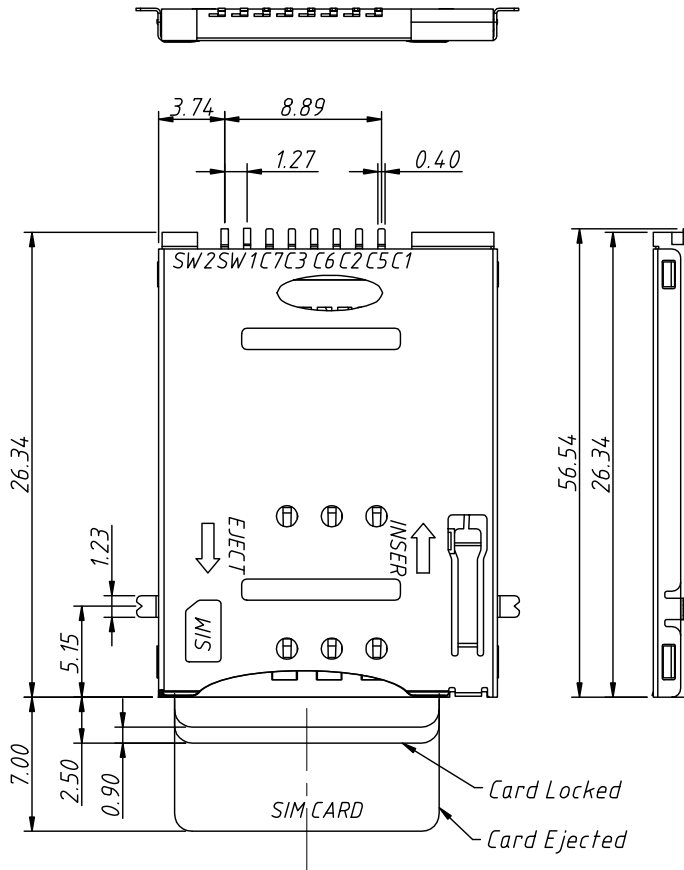

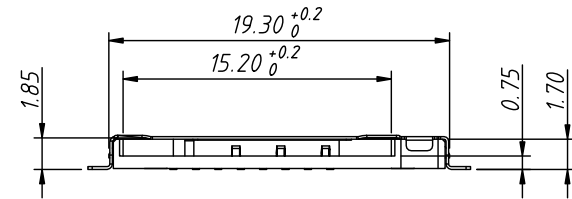


1 RoHS Compliance

REV	SYM	Revision Record	Appr.	Date
V0	KLS01338	New Version Release	WuHao	2024-10-15



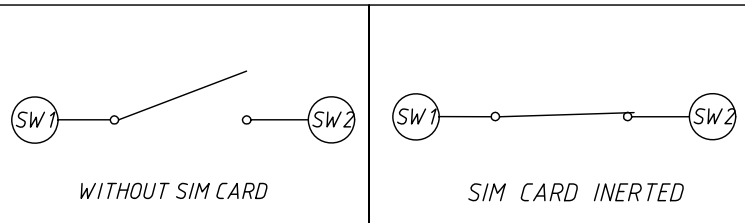
 PCB Welding Area
Recommended PCB Layout
 Tolerance: ±0.05mm

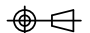



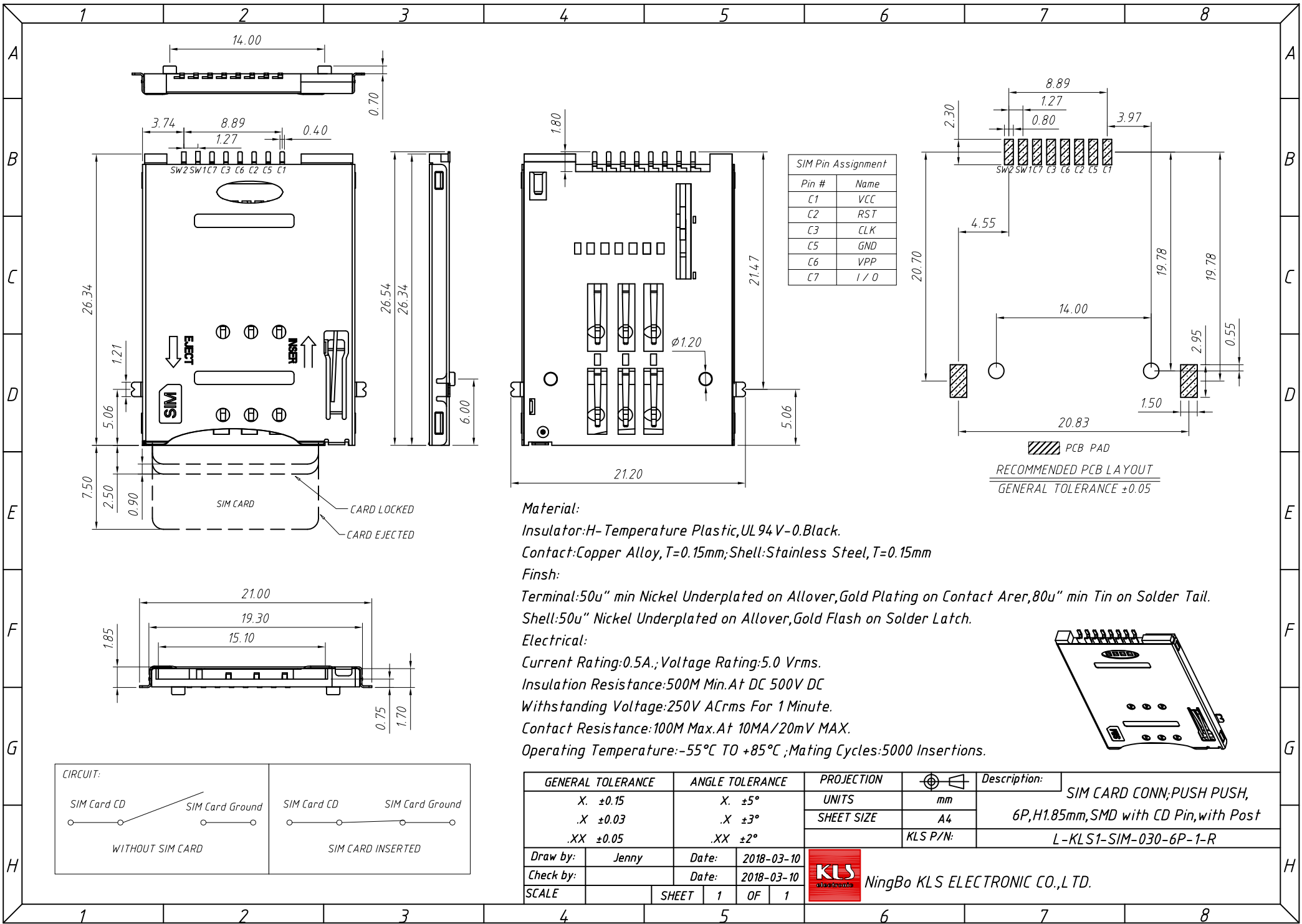
Material:
 Insulator: LCP High Temperature Thermoplastic, UL94V-0, Black
 Contact: Copper Alloy,
 1u" Au Plated On Contact Area
 100u" Min Matte Tin Plated On Solder Area
 50u" Ni Plated Overall
 Shell: Stainless Steel,
 1u" Au Plated On Solder Area
 50u" Ni Plated Overall

Electric:
 Current Rating: 0.5Amps Max
 Voltage Rating: 5V AC/DC
 Ambient Temperature Range: -20°C ~ +60°C
 Storage Temperature Range: -40°C ~ +80°C
 Ambient Humidity Range: 95% R.h Max
 Contact Resistance: 100 mΩ Max
 Insulation Resistance: 1000MΩ Min / 500 VDC
 Mating Cycles: 5000 Insertions
 Temperature Resistance: 260°C

SIM Pin Assignment	
Pin No.	Name
C1	VCC
C2	RST
C3	CLK
C5	GND
C6	VPP
C7	I/O



ANGLE TOLERANCE		PROJECTION		Description:	
±3°				Micro SIM Card Connector, 6P	
GENERAL TOLERANCE		UNITS	mm	KLS P/N:	
x.x	±0.25	SHEET SIZE	A4	L-KLS1-SIM-030-6P	
x.xx	±0.10	Draw:	Song	2024-10-15	 NingBo KLS ELECTRONIC CO.,L TD.
x.xxx	±0.05	Check:	Daniel	2024-10-15	

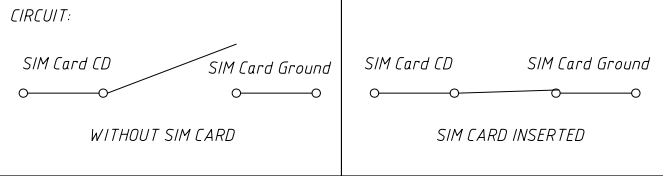
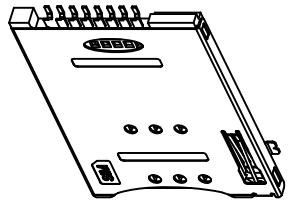


SIM Pin Assignment	
Pin #	Name
C1	VCC
C2	RST
C3	CLK
C5	GND
C6	VPP
C7	I/O

PCB PAD
 RECOMMENDED PCB LAYOUT
 GENERAL TOLERANCE ±0.05

Material:
 Insulator:H-Temperature Plastic,UL94V-0.Black.
 Contact:Copper Alloy,T=0.15mm;Shell:Stainless Steel,T=0.15mm
 Finsh:
 Terminal:50u" min Nickel Underplated on Allover,Gold Plating on Contact Arer,80u" min Tin on Solder Tail.
 Shell:50u" Nickel Underplated on Allover,Gold Flash on Solder Latch.

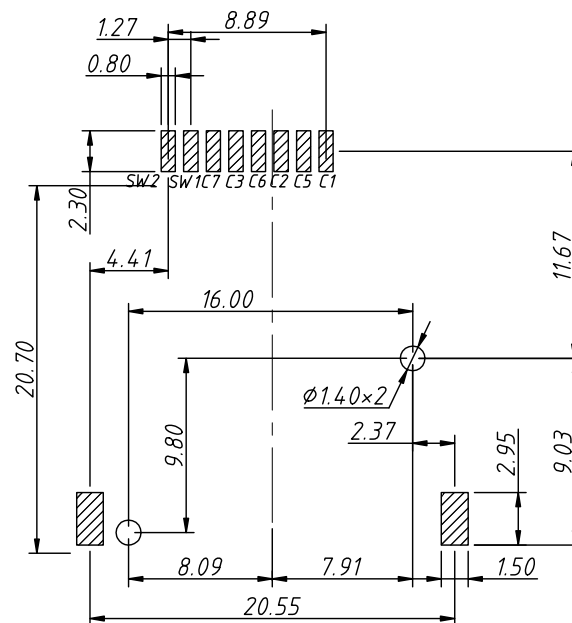
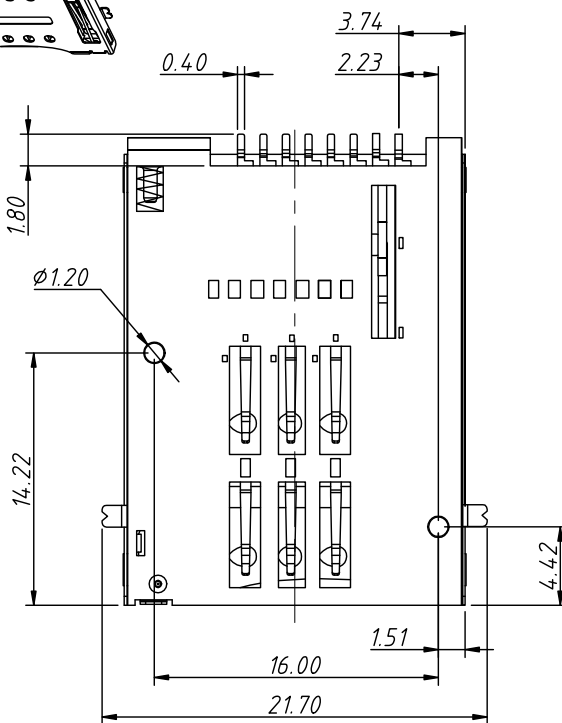
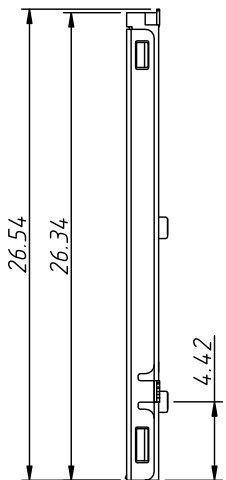
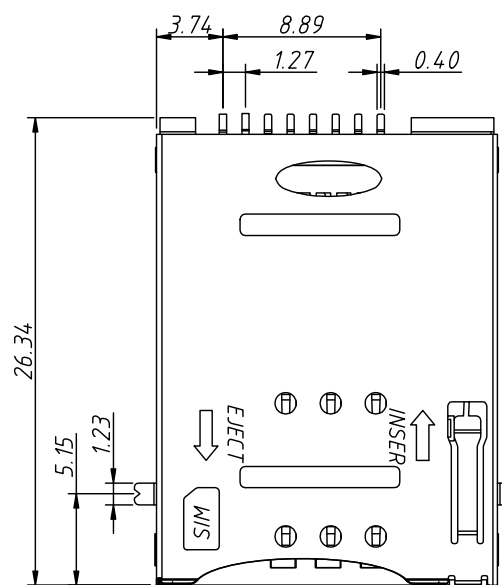
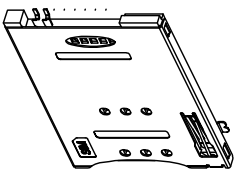
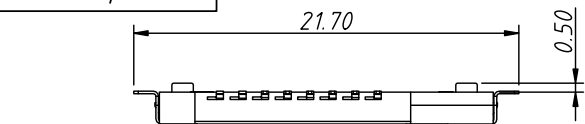
Electrical:
 Current Rating:0.5A.; Voltage Rating:5.0 Vrms.
 Insulation Resistance:500M Min.At DC 500V DC
 Withstanding Voltage:250V ACrms For 1 Minute.
 Contact Resistance:100M Max.At 10MA/20mV MAX.
 Operating Temperature:-55°C TO +85°C ;Mating Cycles:5000 Insertions.



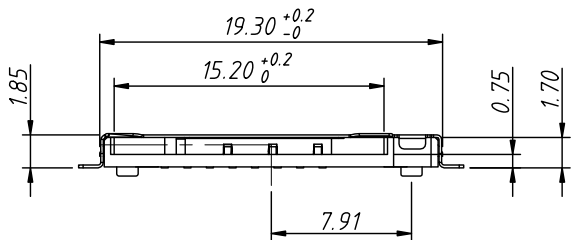
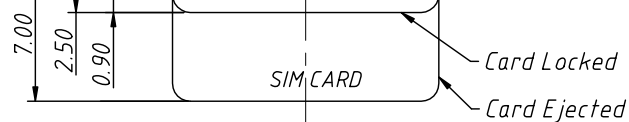
GENERAL TOLERANCE	ANGLE TOLERANCE	PROJECTION	Symbol	Description:
X. ±0.15	X. ±5°	UNITS	mm	SIM CARD CONN;PUSH PUSH, 6P,H1.85mm,SMD with CD Pin,with Post L-KLS1-SIM-030-6P-1-R
.X ±0.03	.X ±3°	SHEET SIZE	A4	
.XX ±0.05	.XX ±2°		KLS P/N:	
Draw by: Jenny	Date: 2018-03-10	NingBo KLS ELECTRONIC CO.,LTD.		
Check by:	Date: 2018-03-10			
SCALE	SHEET 1 OF 1			

RoHS Compliance

REV	SYM	Revision Record	Appr.	Date
V0	KLS01338	New Version Release	WuHao	2024-10-15



PCB Welding Area
Recommended PCB Layout
Tolerance: ±0.05mm



Material:

Insulator: LCP High Temperature Thermoplastic, UL 94 V-0, Black
Contact: Copper Alloy, 1u" Au Plated On Contact Area, 100u" Min Matte Tin Plated On Solder Area, 50u" Ni Plated Overall
Shell: Stainless Steel, 1u" Au Plated On Solder Area, 50u" Ni Plated Overall

Electric:

Current Rating: 0.5Amps Max
Voltage Rating: 5V AC/DC
Ambient Temperature Range: -20°C ~ +60°C
Storage Temperature Range: -40°C ~ +80°C
Ambient Humidity Range: 95% R.h Max
Contact Resistance: 100 mΩ Max
Insulation Resistance: 1000MΩ Min / 500 VDC
Mating Cycles: 5000 Insertions
Temperature Resistance: 260°C
Packing: Reel

SIM Pin Assignment	
Pin No.	Name
C1	VCC
C2	RST
C3	CLK
C5	GND
C6	VPP
C7	I/O

ANGLE TOLERANCE	PROJECTION	Description:	
±3°		Micro SIM Card Connector, 6P	
GENERAL TOLERANCE	UNITS	mm	KLS P/N:
x.x ±0.25	SHEET SIZE	A4	L-KLS1-SIM-030-6P-3-R
x.xx ±0.10	Draw:	Song	2024-10-15
x.xxx ±0.05	Check:	Daniel	2024-10-15



NingBo KLS ELECTRONIC CO., L TD.

