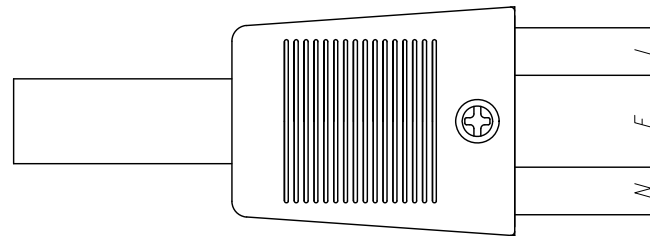
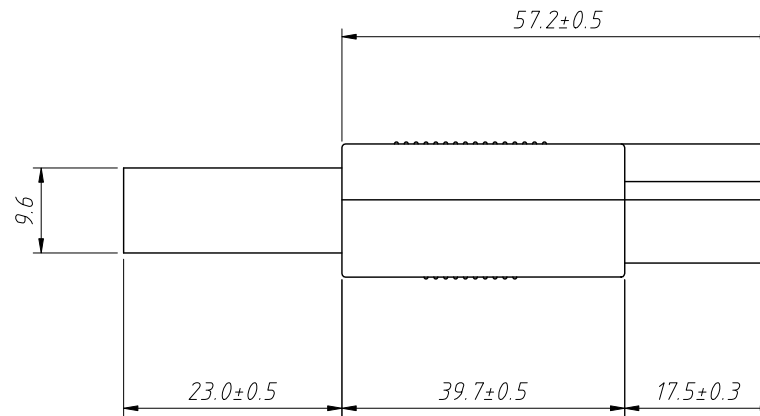
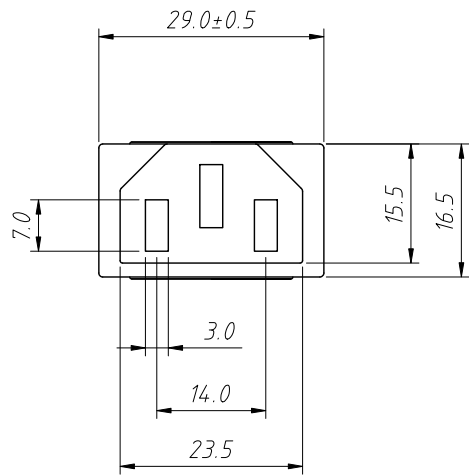


1
RoHS Compliance

REV	SYM	Revision Record	Appr.	Date
V0	KLS01105	New Version Release	Jenny	2024-10-08



Material:
Housing: PBT or Nylon 66 UL 94V-0, V-2
Terminal: Brass, Ni plating

Electrical Characteristics:
Standard: IEC 60320 C8
Voltage rating: 250V AC
Rating: 250VAC 10A (2.5A)
Insulation Resistance: 100MΩ 500V DC / 1 minute
Dielectric Strength: 2000V AC / 1 minute
Temperature range: -45°C ~ +105°C

ANGLE TOLERANCE	PROJECTION	Description:		
±3°		AC Plug Connector With Straight Female Type		
GENERAL TOLERANCE	UNITS	mm	KLS P/N:	KLS1-ASS-201
x.x ±0.30	SHEET SIZE	A4		
x.xx ±0.20	Draw:	Jenny	2024-10-08	NingBo KLS ELECTRONIC CO.,LTD.
x.xxx ±0.10	Check:	Daniel	2024-10-08	