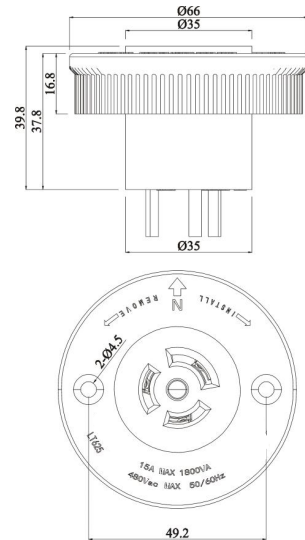


NINGBO KLS ELECTRONIC CO; LTD

MOUNTING RECEPTACLE MODEL:LT625



DIMENSION



| TECHNICAL SPECIFICATION | |
|-------------------------|----------------------|
| Standard | ANSI C136.10 & UL773 |
| UL File No. | E492075 |
| Rated Volts | 480V(105-480V) |
| Frequency | 50-60 Hz |
| Rated Load | 15A / 1000W / 1800VA |
| Operating Temperature | -40°C to +70°C |
| Related Humidity | 99% |
| Insulation | 3000V / 60Hz / 1min |
| Housing | Bakelite |
| Accessory | Silicon Gasket |

| PRODUCT SELECTION INFORMATION | | | | |
|-------------------------------|---|-------------------|---|-------------|
| MODEL | - | WIRE SIZE | - | WIRE LENGTH |
| LT625 | - | W14: UL1015 14AWG | - | L20: 20cm |
| | - | W16: UL1015 16AWG | - | L30: 30cm |
| | - | | - | L50: 50cm |

FREQUENTLY ORDERED PART NUMBER: LT625-W14-L20

WIRING DIAGRAM

