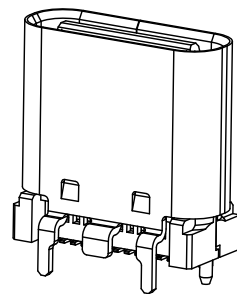
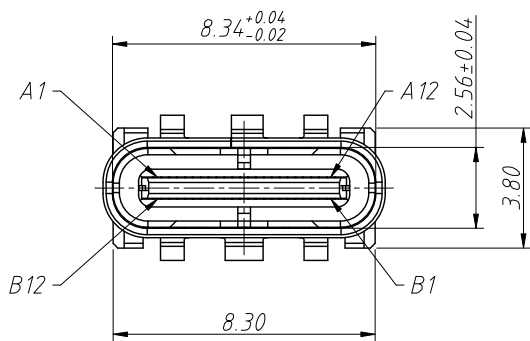


RoHS Compliance

REV	SYM	Revision Record	Appr.	Date
V0	KLS01640	New Version Release	Song	2024-07-19



Order Information

L-KLS1-5478-L1-01-R

RoHS

USB Type

Length:

L1=8.8 L2=9.2

Plating Code:

01=AU ED 1u" 03=AU 3u"

15=AU 15u" 30=AU 30u"

Packing:R=Reel

NOTES:

1.Material:

1-1.Housing:High Temperature Resistant Plastic,UL 94V-0

1-2.Contacts:Copper Alloy(C1815)

1-3.Mid Plate:Stainless Steel(SUS301)

1-4.Front Shell:Stainless Steel(SUS304)

1-5.EMI Plate:Stainless Steel(SUS304)

2.Plating Specification:

2-1.Contacts:Ni 50u" Min.Under Plated Over All
Au Plated On The Functional Area Of Contact
Tin Plated On The Solder Area

2-2.Front Shell:Ni 30u" Min Under Plated Over All

2-3.MID Plate&EMI Plate:Clear Only

3.Mechanical:

3-1.Insertion Force:0.5~2.0kgf

3-2.Removal Force:0.8kgf~2.0kgf

3-3.Durability:10000 Cycles

4.Electrical:

4-1.Voltage Rating:5 V DC/AC (RMS. Max)

Current Rating:5 AMPS. For Total VBUS/GND Pins

1.25AMPS For CC Pin,0.25 AMPS For All Other Contact

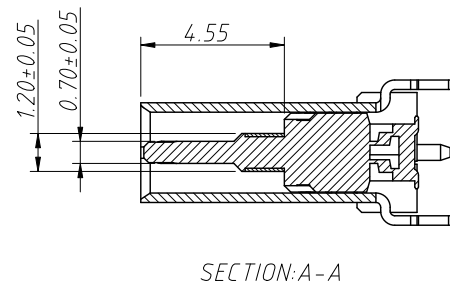
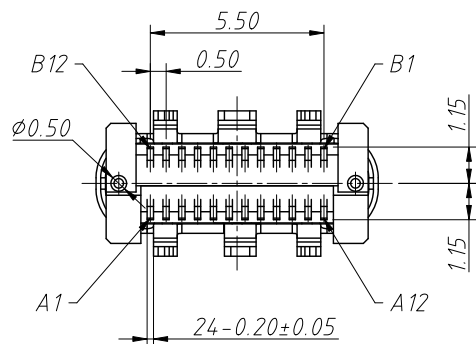
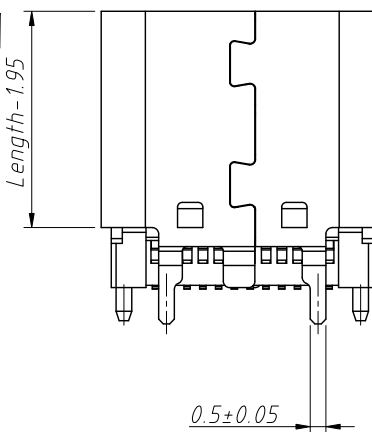
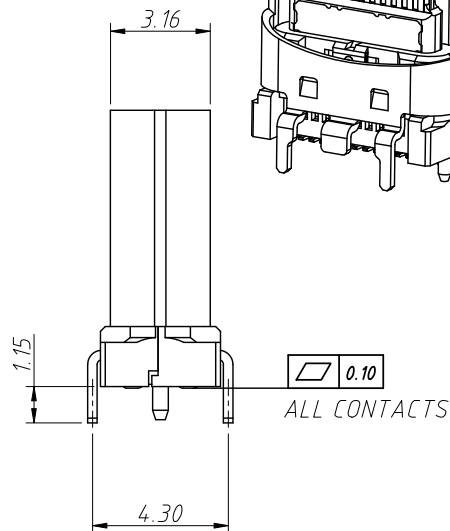
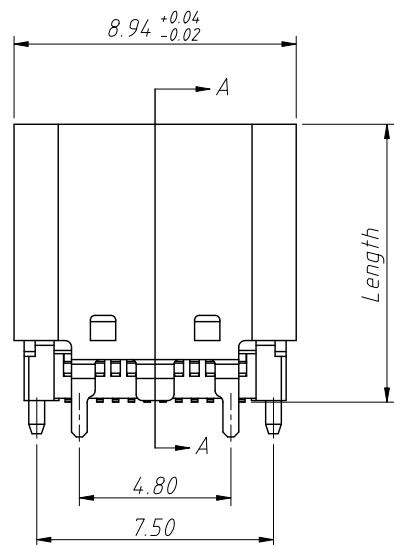
4-2.LLCR:VBUS & GND Pins And Other Pins:4.0mΩ/Pin Max
LLCR Max.Change Of All Pins:10mΩ

4-3.Insulation Resistance:100MΩ Min

4-4.Dielectric Withstand Voltage:AC 100V For 1 Minute

5.Operating Temperature: -25°C~+85°C

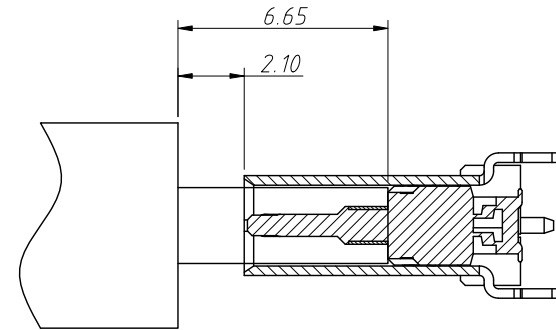
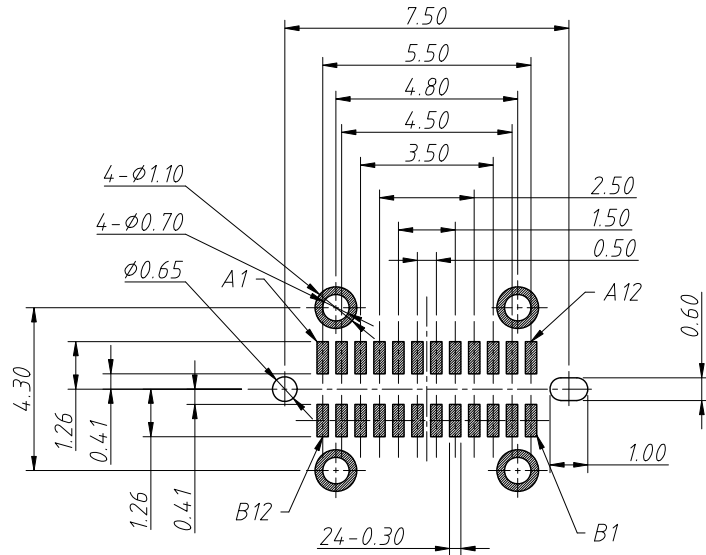
6.IR Reflow:The Peak Temperature On The Board Shall Be
Maintained For 10 Seconds At 260°C



ANGLE TOLERANCE	PROJECTION	Description:	USB Connector	
±3°				
GENERAL TOLERANCE	UNITS	mm	KLS P/N:	L-KLS1-5478-LX-XX-R
.x ±0.30	SHEET SIZE	A4	1 of 3	NingBo KLS ELECTRONIC CO.,LTD.
.xx ±0.20	Draw:	Song	2024-07-19	
.xxx ±0.10	Check:	Daniel	2024-07-19	

1
RoHS Compliance

6	7	8
REV	SYM	Revision Record
V0	KLS01640	New Version Release
		Appr. Song
		Date 2024-07-19

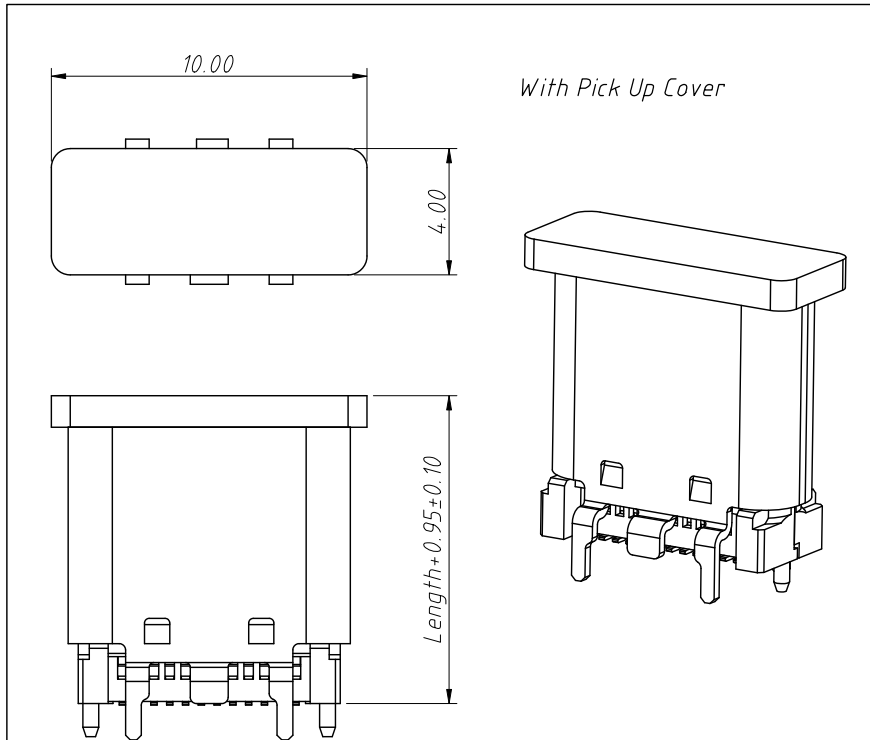


After Mating

Recommended PCB Layout
Tolerance: ±0.05mm, T=1.0±0.10

USB TYPE-C PIN ASSIGNMENTS

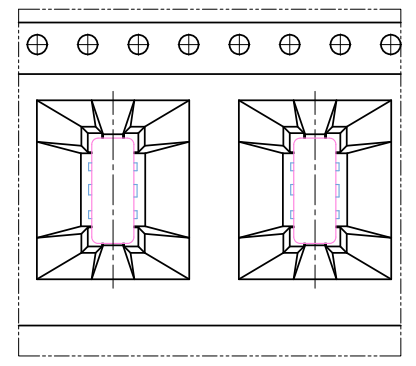
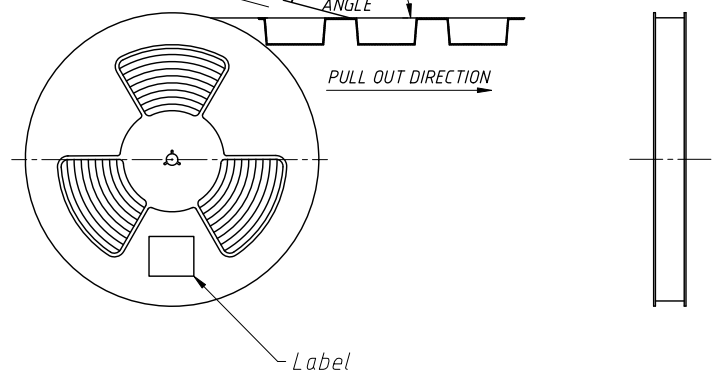
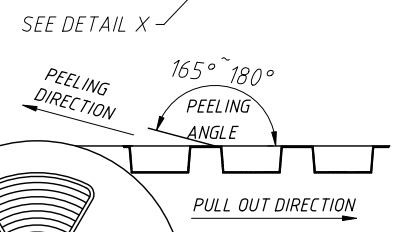
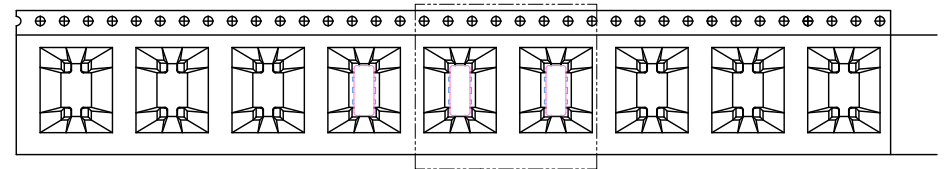
PIN	Signal Name	PIN	Signal Name
A1	GND	B12	GND
A2	TXp1	B11	RXp1
A3	TXn1	B10	RXn1
A4	VBUS	B9	VBUS
A5	CC1	B8	SBU2
A6	DP1	B7	DN2
A7	DN1	B6	DP2
A8	SBU1	B5	CC2
A9	VBUS	B4	VBUS
A10	RXn2	B3	TXn2
A11	RXp2	B2	TXp2
A12	GND	B1	GND



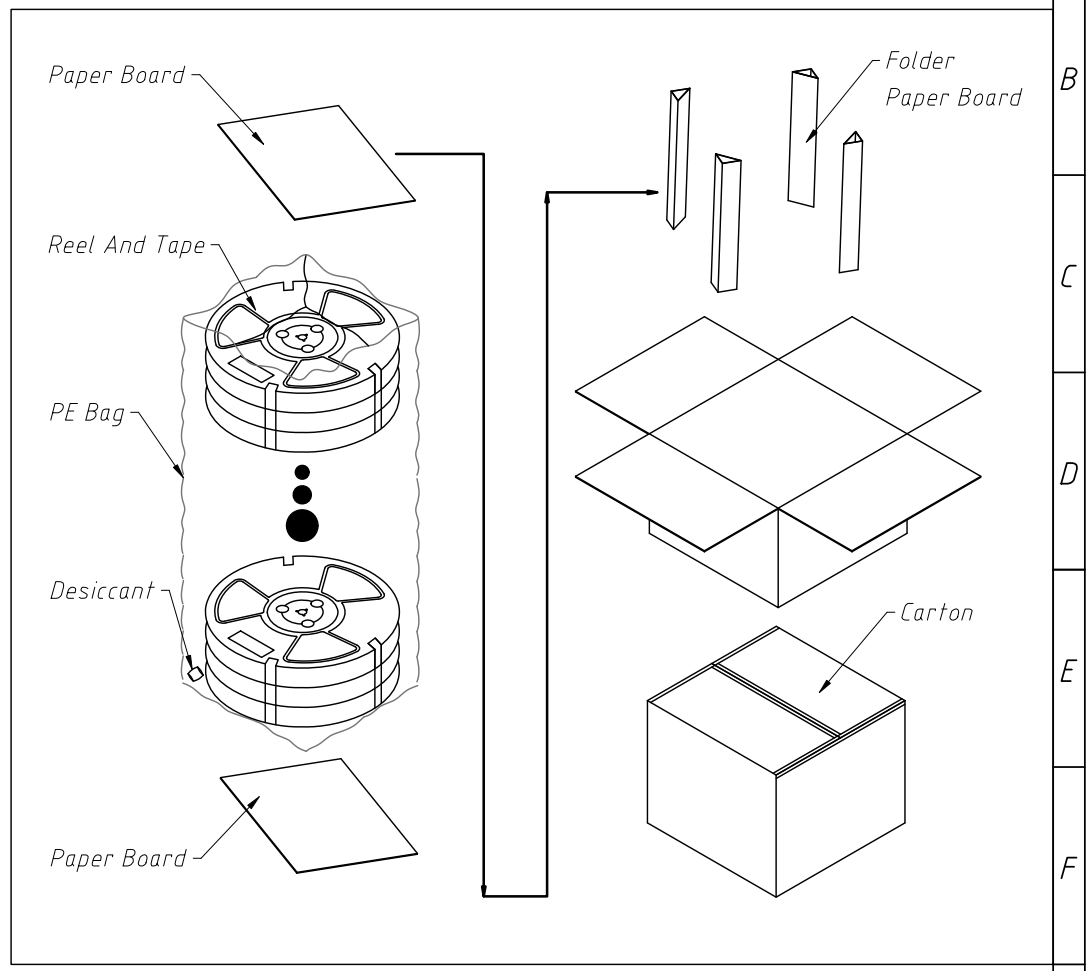
ANGLE TOLERANCE	PROJECTION	Description:	
±3°		USB Connector	
GENERAL TOLERANCE	UNITS	mm	KLS P/N:
.x ±0.30	SHEET SIZE	A4	2 Of 3
.xx ±0.20	Draw:	Song	2024-07-19
.xxx ±0.10	Check:	Daniel	2024-07-19
		NingBo KLS ELECTRONIC CO.,LTD.	

1
RoHS Compliance

6	7	8
REV	SYM	Revision Record
V0	KLS01640	New Version Release
		Appr. Song
		Date 2024-07-19



DETAIL X



ANGLE TOLERANCE	PROJECTION	Description:	USB Connector		
$\pm 3^\circ$			L-KLS1-5478-LX-XX-R		
GENERAL TOLERANCE	UNITS	mm	KLS P/N:		
.x ± 0.30	SHEET SIZE	A4	3 Of 3		
.xx ± 0.20	Draw:	Song	2024-07-19	NingBo KLS ELECTRONIC CO.,LTD.	
.xxx ± 0.10	Check:	Daniel	2024-07-19		