

NINGBO KLS ELECTRONIC CO; LTD

ANSI C136.41 DIMMING RECEPTACLE

MODEL: LT605

LT605 Series receptacle, new dimming receptacle conforming to ANSI C136.41, that ideal for outdoor commercial and utility lighting. ANSI C136.41 compliant dimming receptacle is available with 5 or 7 wires and 2 or 4 dimming contacts to support either 0-30 VDC dimming methods or Digital Addressable Lighting Interface (DALI), while providing a reliable power interconnect with three strong twist lock contacts.



5 Position

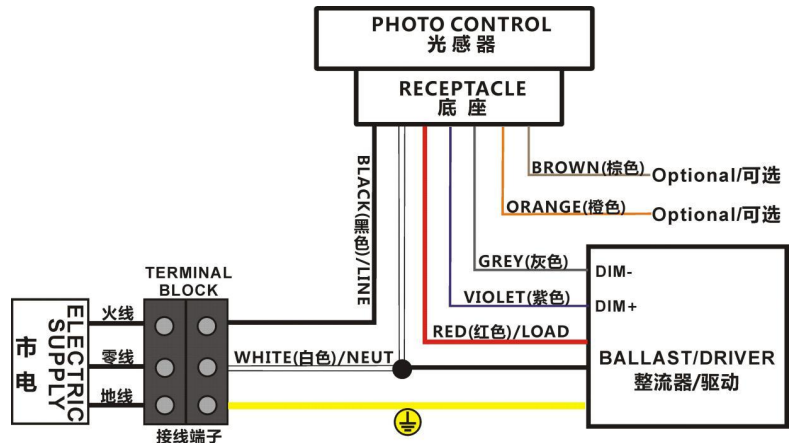


7 Position

TECHNICAL SPECIFICATION

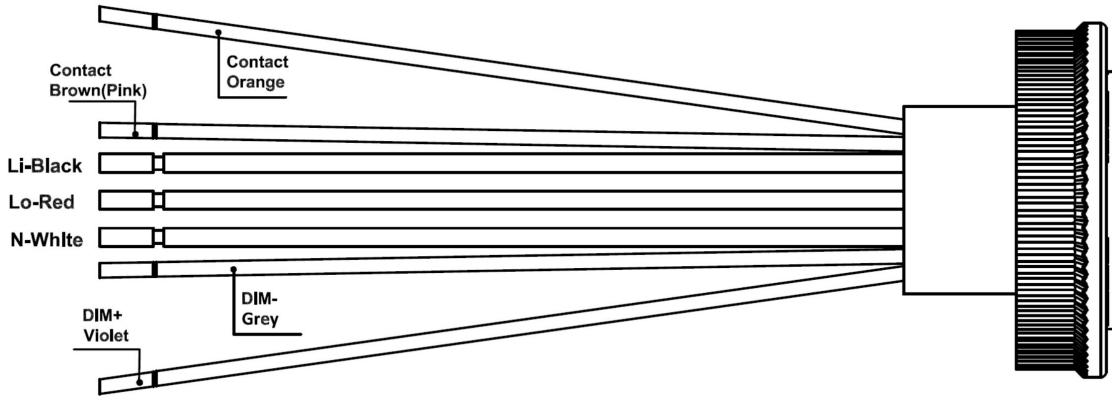
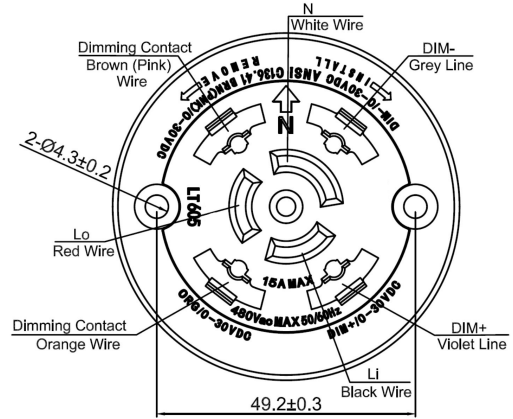
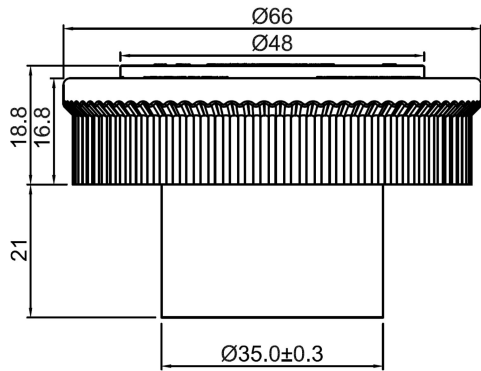
Standard	ANSI C136.41 & UL773
UL File No.	E492075
Frequency	50/60 Hz
Voltage Rating	Power Contacts: 480V Dimming Contacts: 30V
Current Rating	Power Contacts: 15A Dimming Contacts: 0.25A
Operating Temperature	-40°C to +70°C
Related Humidity	99%
Insulation	3000V / 60Hz / 1min
Housing	Bakelite
Power Pin	3 * Phosphor Copper
Dimming/Signal Contact Pin	2 or 4 * Phosphor Copper with Gold Plated Based on ANSI C136.41
Wire	Power Line: UL1015 14AWG (16AWG) Signal Line: UL1015 18AWG
Accessory	Silicon Gasket

WIRING DIAGRAM



NINGBO KLS ELECTRONIC CO; LTD

DIMENSION



PRODUCT SELECTION INFORMATION

MODEL	POSITION	WIRE SIZE	WIRE LENGTH
LT605	5PIN: 5 Position	W14: UL1015 14AWG	L20: 20cm
	7PIN: 7 Position	W16: UL1015 16AWG	L30: 30cm
			L50: 50cm

FREQUENTLY ORDERED PART NUMBER: LT605-7PIN-W16-L20