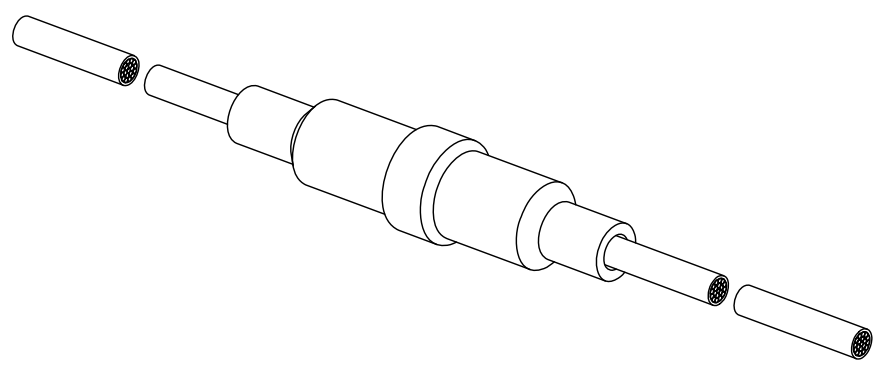
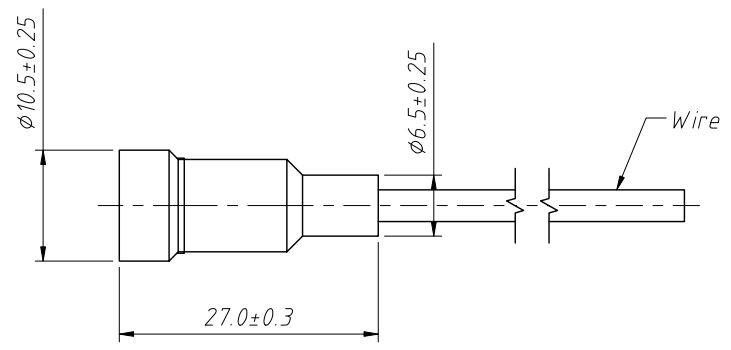
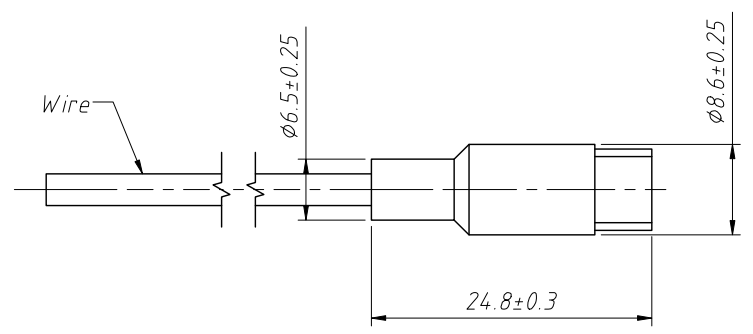
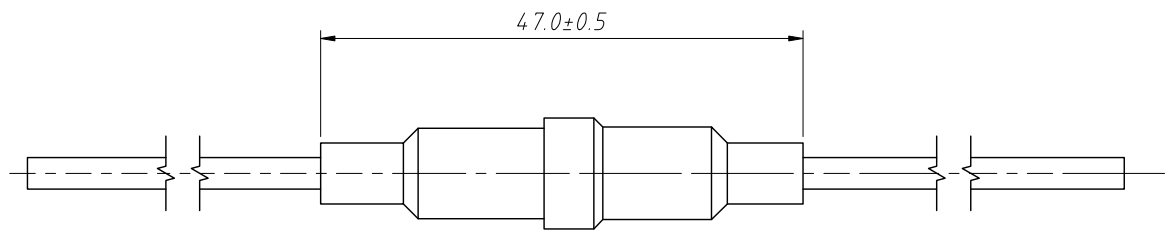


1
RoHS Compliance

7		8		
REV	SYM	Revision Record	Appr.	Date
V0	KLS05034	New Version Release	Jenny	2024-09-05



Specifications:
 Suitable fuse: $\phi 5.2 \times 20\text{mm}$
 Rated Value: 10A 250VAC Max
 Insulating Body: Nylon
 Wire: 12~22AWG Red/Black

wire size and length are according to a customer required

ANGLE TOLERANCE	PROJECTION	Description:		
$\pm 3^\circ$		Wire Fuse Holder For Fuse 5.2x20mm		
GENERAL TOLERANCE	UNITS	mm	KLS P/N:	L-KLS5-237-XX#-XX-X
x.x ± 0.30	SHEET SIZE	A4		
x.xx ± 0.20	Draw:	Jenny	2024-09-05	NingBo KLS ELECTRONIC CO.,L TD.
x.xxx ± 0.10	Check:	Daniel	2024-09-05	