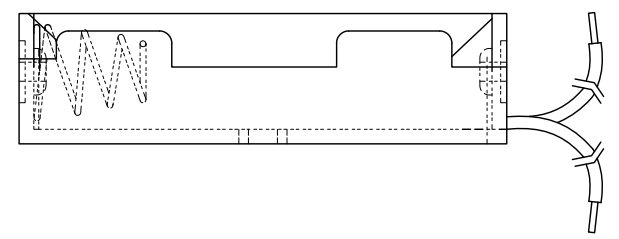
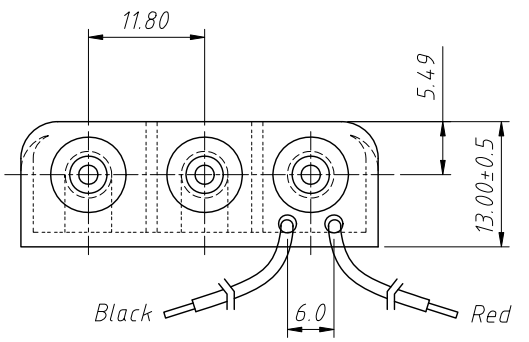
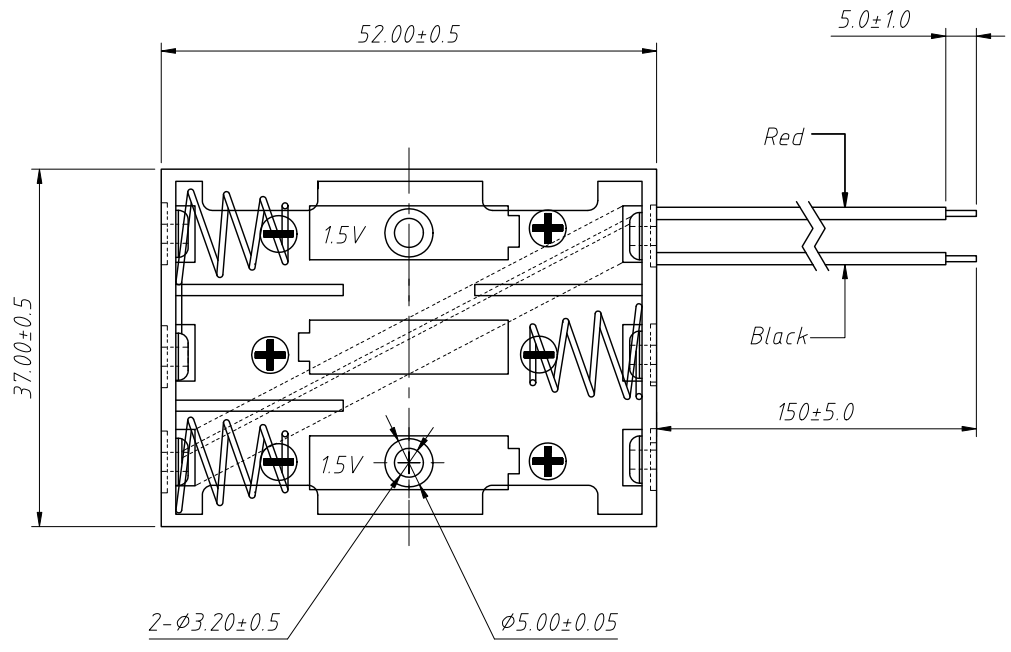


1
RoHS Compliance

2	3	4	5	6	7	8
REV	SYM	Revision Record		Appr.	Date	
V0	KLS05034	New Version Release		Jenny	2024-08-26	

Material:
 Housing:ABS Resin Black Color
 Spring:6mm 65C Spring Wire
 Wire:UL 1007,26 AWG Black & Red,L=150mm±5mm

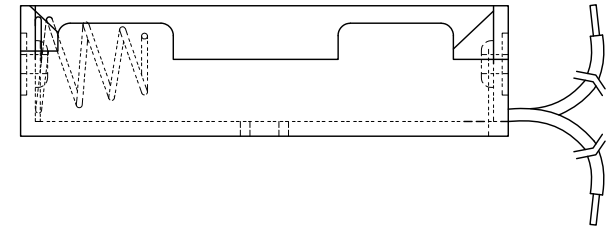
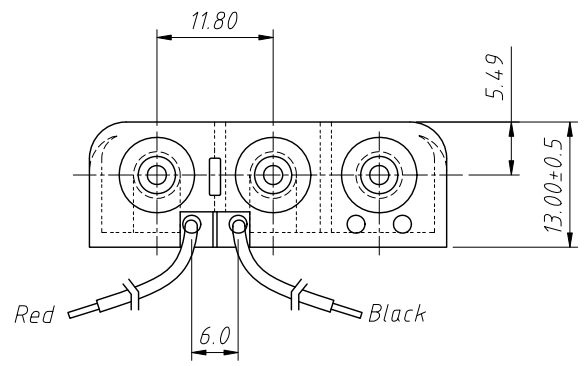


Order Information:
 L-KLS5-819-B
 L: RoHS
 Cell Box Series
 Type:
 B:With Wire
 L=15cm or other

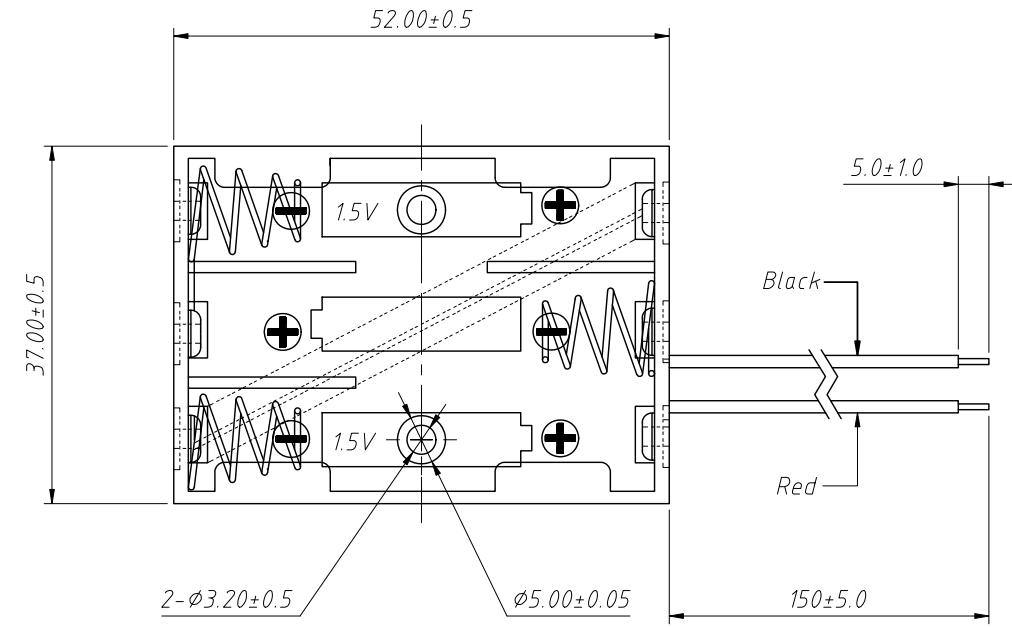
ANGLE TOLERANCE	PROJECTION	Description:				
$\pm 3^\circ$		AAA Battery Holder				
GENERAL TOLERANCE	UNITS	mm	KLS P/N:		L-KLS5-819-B	
x.x ± 0.30	SHEET SIZE	A4			NingBo KLS ELECTRONIC CO.,L TD.	
x.xx ± 0.20	Draw:	Jenny	2024-08-26			
x.xxx ± 0.10	Check:	Daniel	2024-08-26			

1
RoHS Compliance

2	3	4	5	6	7	8
REV	SYM	Revision Record		Appr.	Date	
V0	KLS05034	New Version Release		Jenny	2024-08-26	



Order Information:
 L-KLS5-819-B1
 L: RoHS
 Cell Box Series
 Type:
 B1: With Wire
 L=15cm or other



Material:
 Housing: ABS Resin Black Color
 Spring: 6mm 65C Spring Wire
 Wire: UL 1007, 26 AWG Black & Red, L=150mm±5mm

ANGLE TOLERANCE	PROJECTION	Description:			
±3°		AAA Battery Holder			
GENERAL TOLERANCE	UNITS	mm	KLS P/N:		L-KLS5-819-B1
x.x ±0.30	SHEET SIZE	A4			NingBo KLS ELECTRONIC CO.,L TD.
x.xx ±0.20	Draw:	Jenny	2024-08-26		
x.xxx ±0.10	Check:	Daniel	2024-08-26		